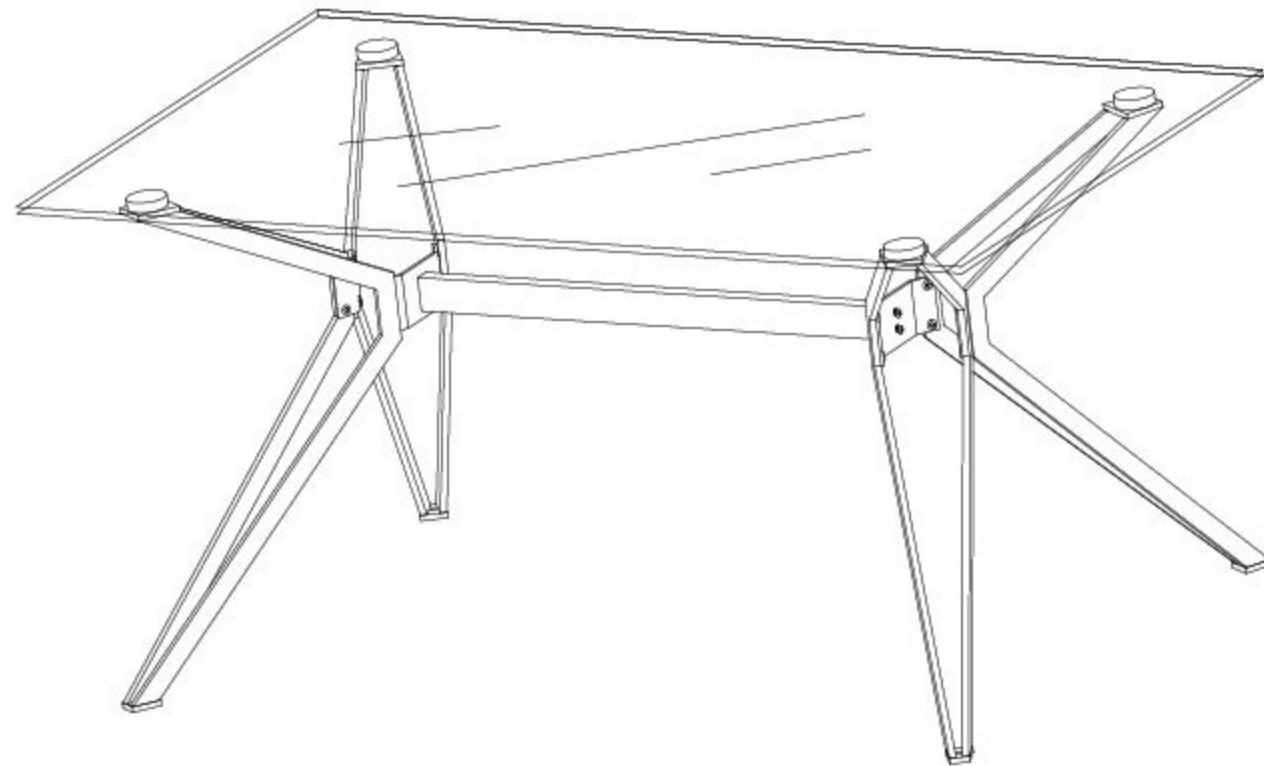


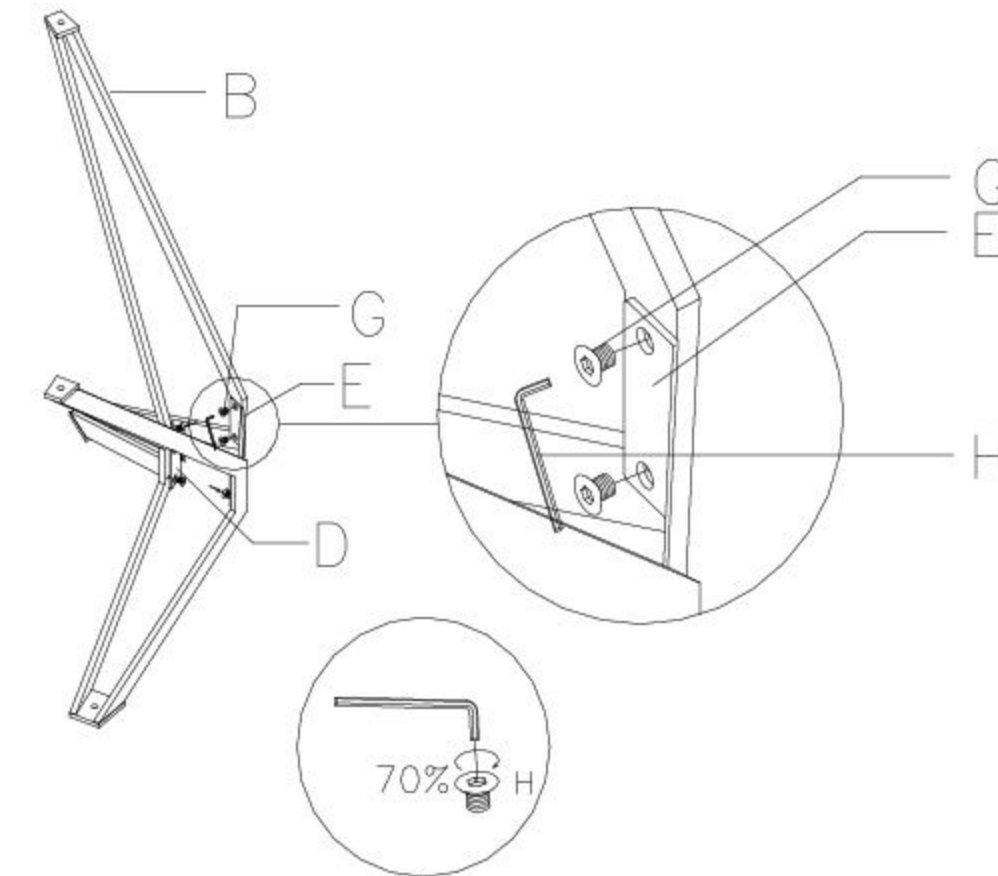
UNIQUE
DESIGN FOR PEOPLE

ASSEMBLY INSTRUCTIONS FOR DINNING TABLE

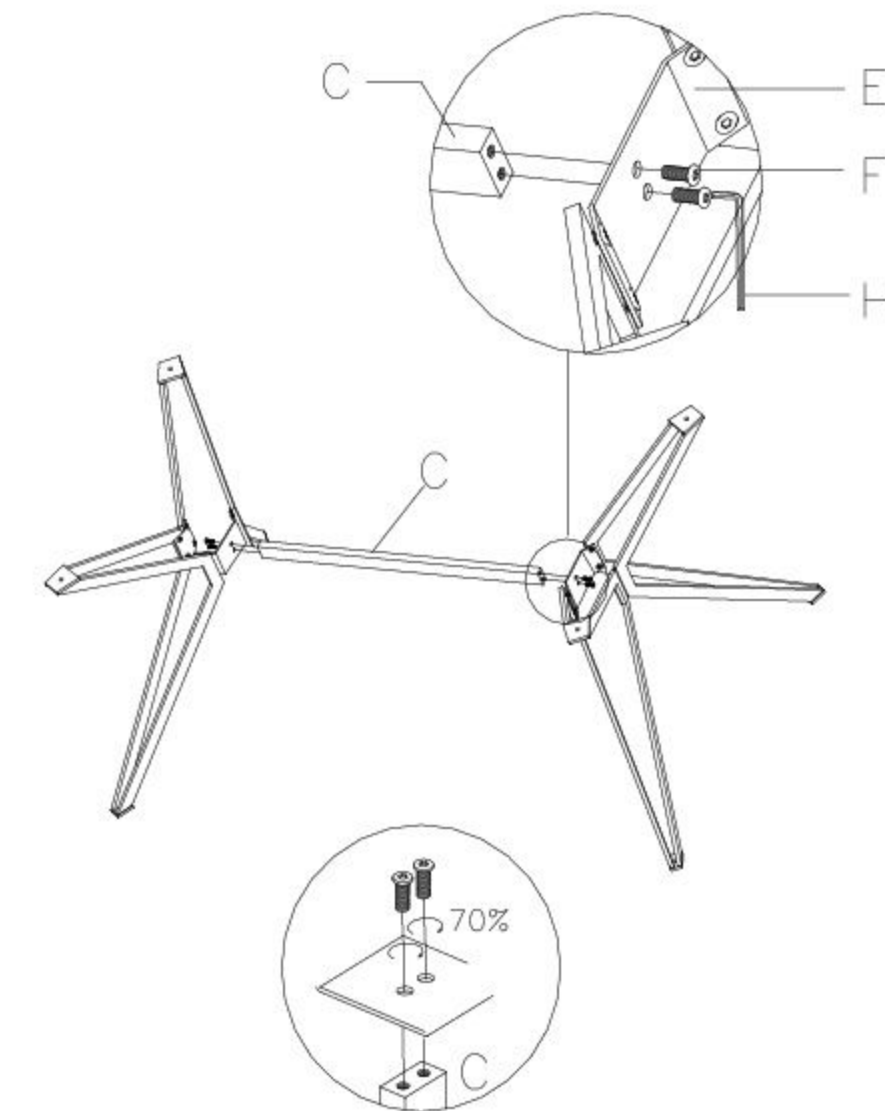
MOD.NO.TEXAS-PMG



STEP 1

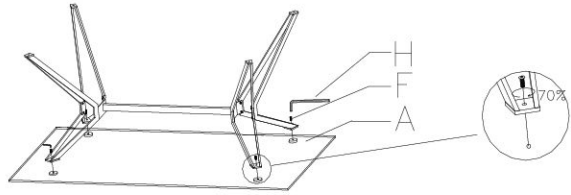


STEP 2

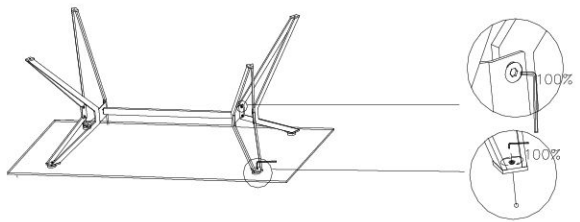


CODE	A	B	C	D	E	F	G	H
COMPONENT								
QTY	1	4	1	2	2	M8*15 8	M8*12 16	5MM 1

STEP 3



STEP 4



STEP 5

