

**B1**      **B2x2**      **B3**      **B4**      **B5**  
**B6**      **B7**      **B8**      **B9**      **B10**  
**B11**      **B12**      **B13x2**

**A1x8**    **A2x12**    **A3x12**    **A4x4**    **A5x2**    **A6x4**    **A7x4**    **A8x4**    **A9x1**    **A10x1**

**CAUTION!**

1. This product is intended for indoor use only.
2. This product should be placed on the flat ground.
3. Once water, oil and other liquid adhere to the surface of product, you should quickly wipe it clean.
4. Please regularly check and fasten joint parts in case of product shake and loosening.
5. Do not lay product in place of the corrosive gas and moisture in case of surface damage.
6. Never fasten screws tightly before all screws fixed to the right place.
7. Please use damp cloth to clean the desktop.

## Children's Healthy Desk & Chair

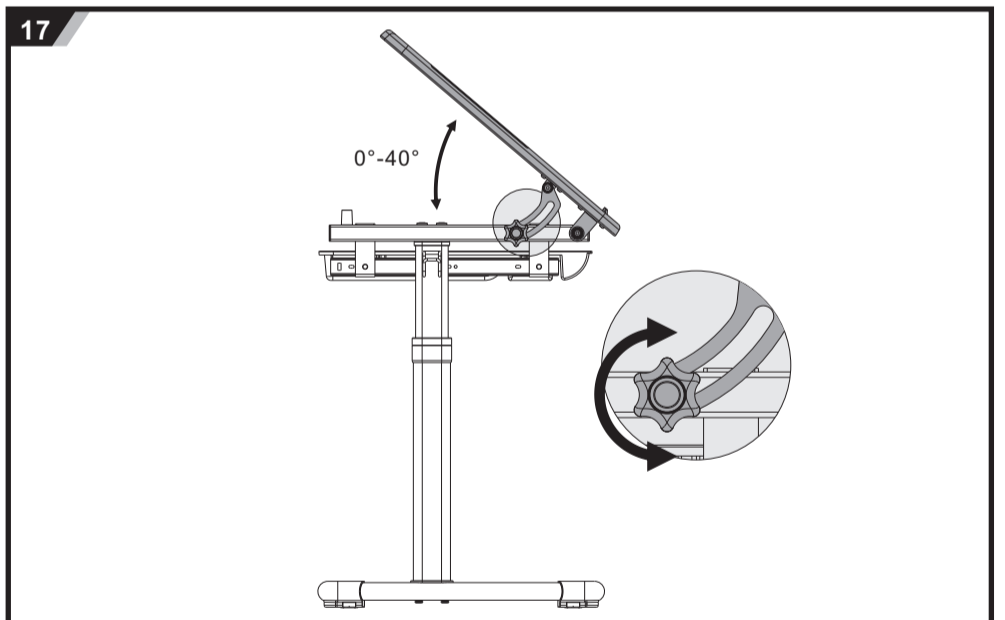
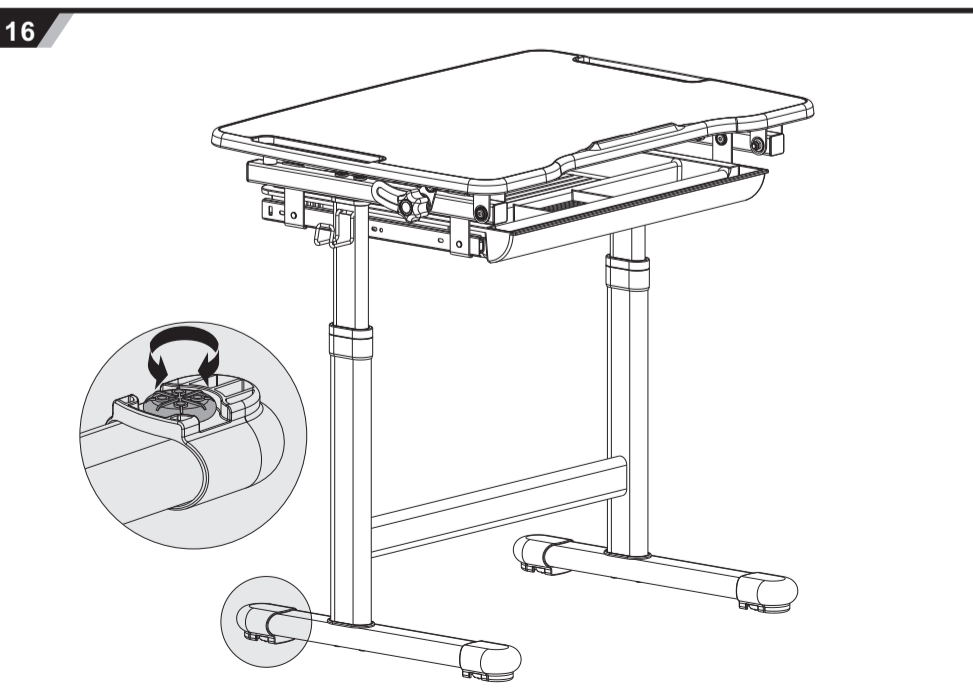
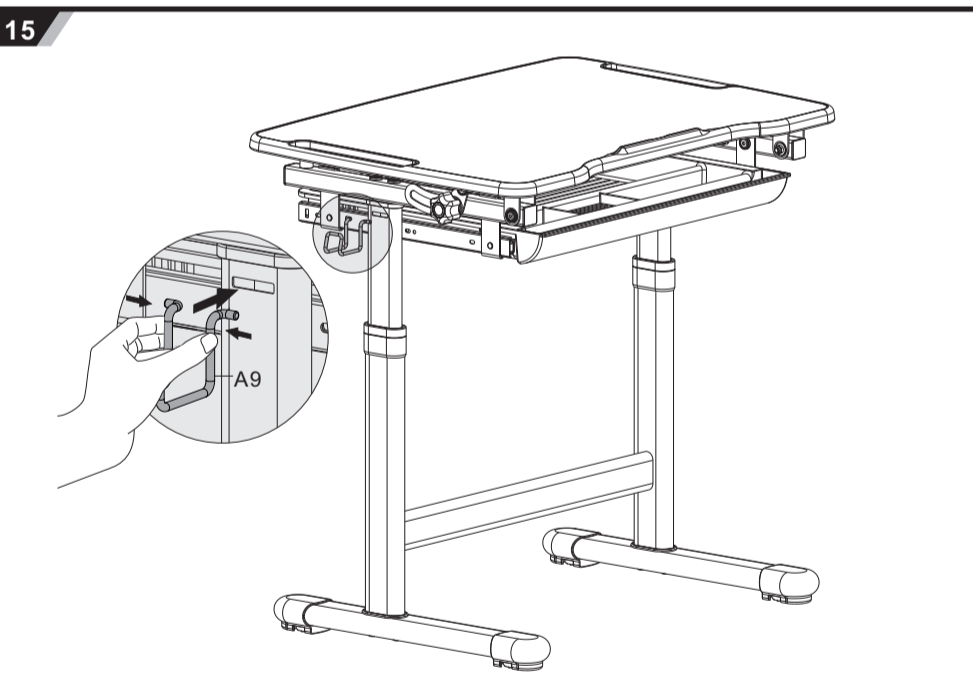
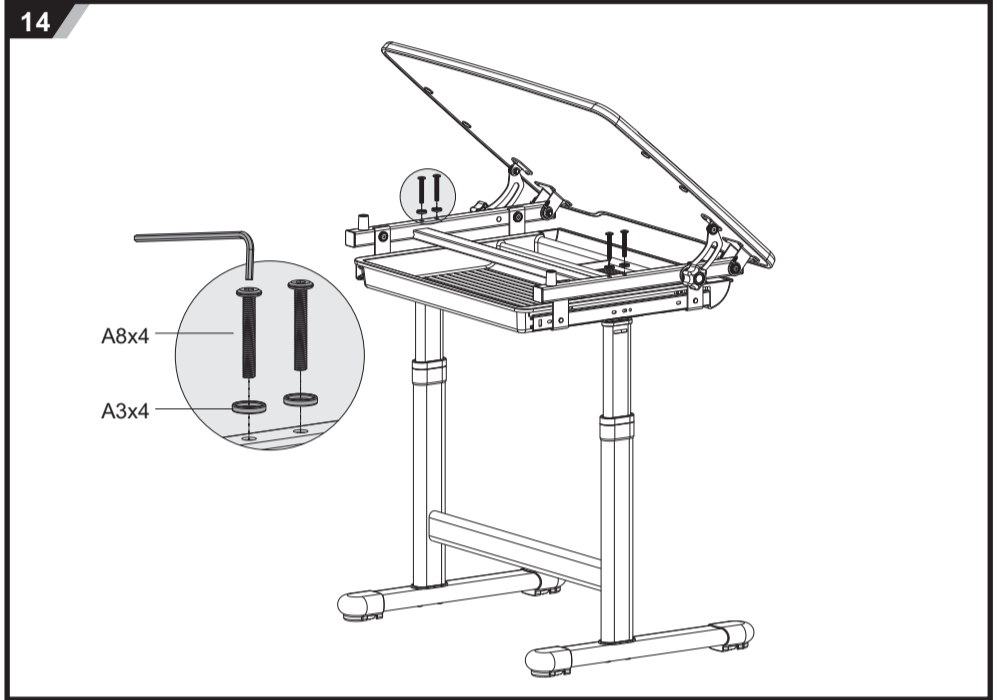
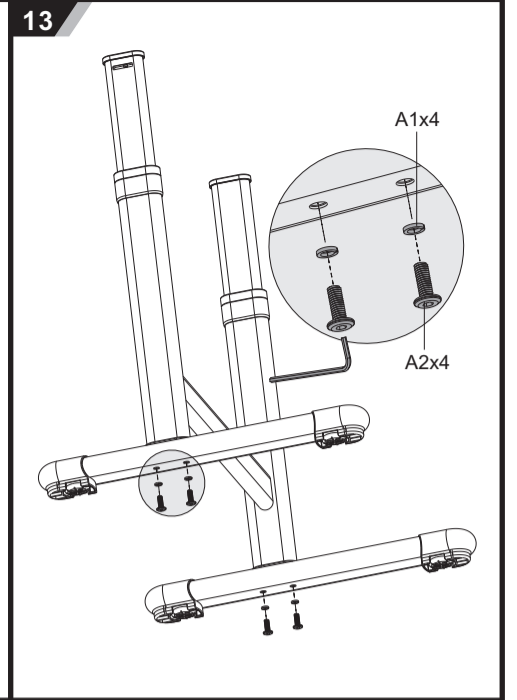
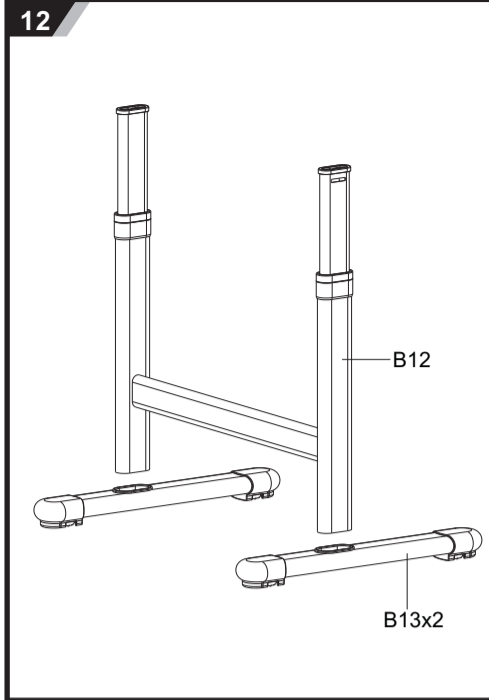
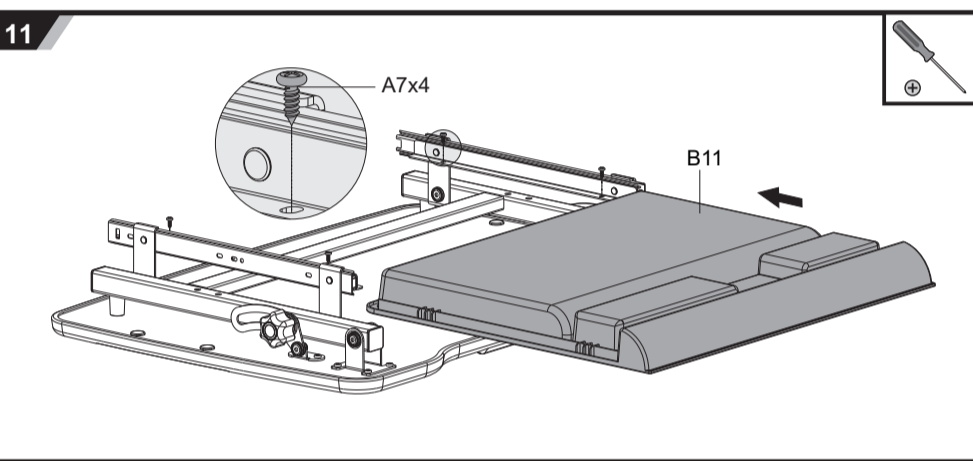
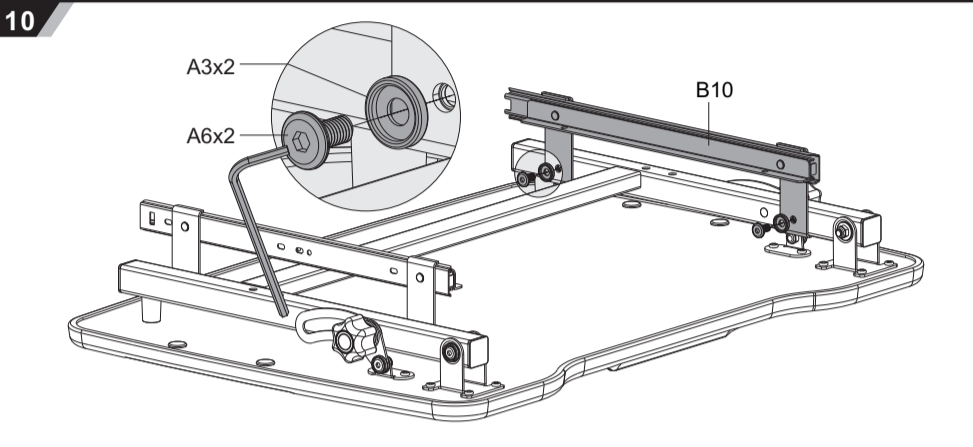
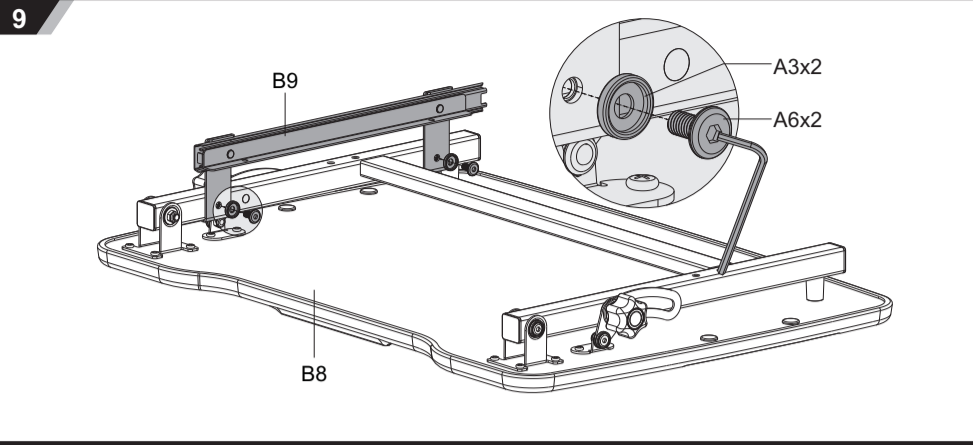
### ASSEMBLY INSTRUCTIONS

#### CHAIR ASSEMBLY INSTRUCTIONS

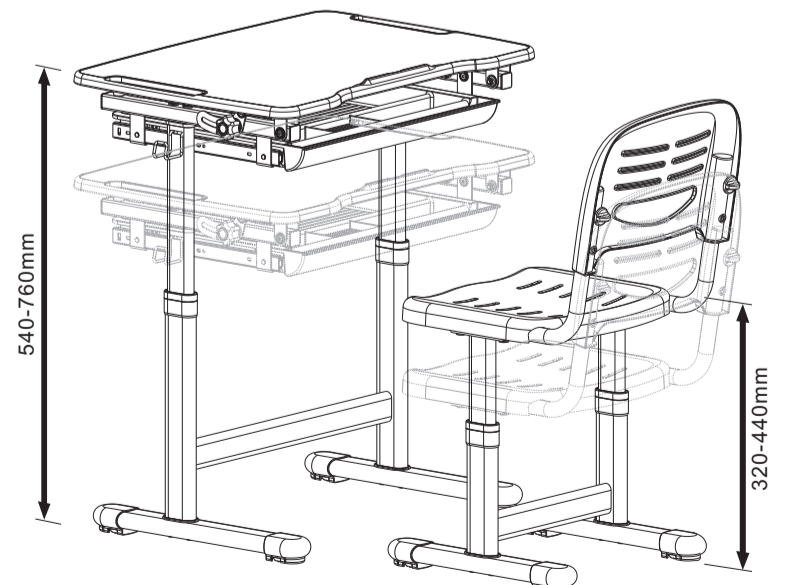
- 1** Assemble the main frame using parts B1 and B2x2.
- 2** Attach the rear legs using screws A1x4, A2x4, and A10.
- 3** Attach the front legs using screws A3x2 and A2x2.
- 4** Attach the backrest support using parts B3, B4, and B5.

- 5** Attach the seat base using part B6 and screws A4x4.
- 6** Attach the backrest using part B7 and screws A9x1 and A10x1.
- 7** Attach the seat cushion using part B8 and screw A5x2.
- 8** Attach the seat base to the main frame using part B9 and B10.

# DESK ASSEMBLY INSTRUCTIONS



## HEIGHT ADJUSTMENT



**How to lift up**  
 Desk and chair can be adjusted higher by direct pulling up. Step on the support bar with one foot and pull up desk/chair to the height needed.

**How to lower down**  
 Pull up to the max height and slowly lower down to the min height. Pull up again to the height needed.