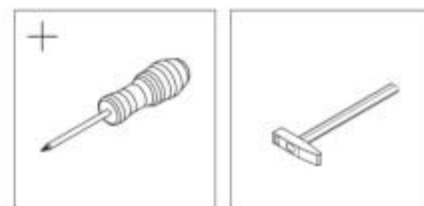


# TABLE PERONI

## STÓŁ PERONI

### POTRZEBNE NARZĘDZIA TOOLS REQUIRED



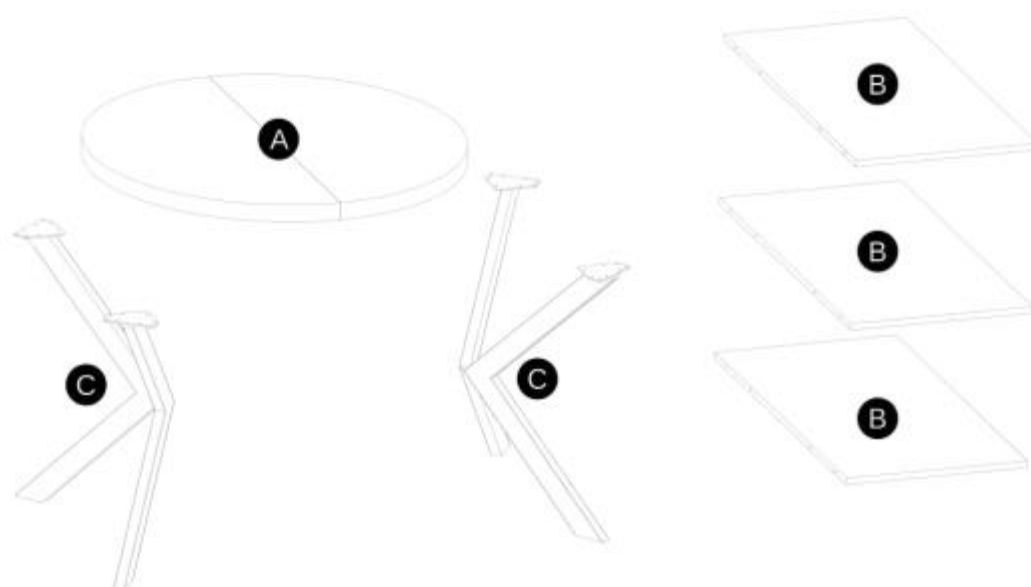
+







→



### Elementy znajdujące się w opakowaniach / Other elements



### Okucia znajdujące się w opakowaniach / Parts in the packaging

|                                                                                                                     |                                                                                                        |                                                                                                                       |                                                                                                                        |
|---------------------------------------------------------------------------------------------------------------------|--------------------------------------------------------------------------------------------------------|-----------------------------------------------------------------------------------------------------------------------|------------------------------------------------------------------------------------------------------------------------|
| <p>I</p>  <p>Ø8x35mm<br/>x12</p> | <p>H</p>  <p>x6</p> | <p>F</p>  <p>3,5x16mm<br/>x12</p> | <p>G</p>  <p>4,0x20mm<br/>x32</p> |
|---------------------------------------------------------------------------------------------------------------------|--------------------------------------------------------------------------------------------------------|-----------------------------------------------------------------------------------------------------------------------|------------------------------------------------------------------------------------------------------------------------|