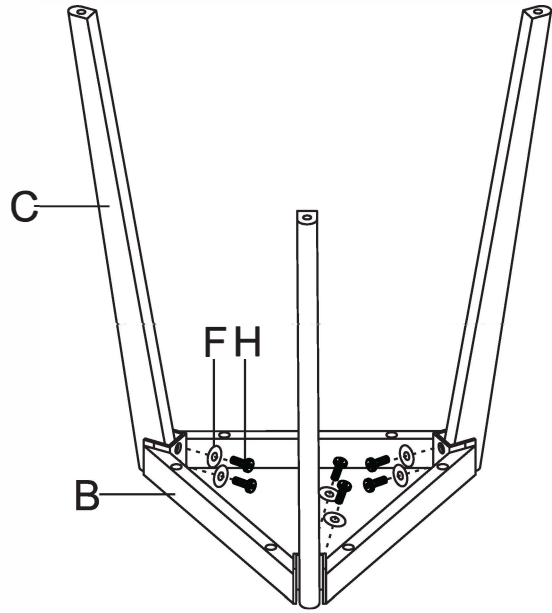
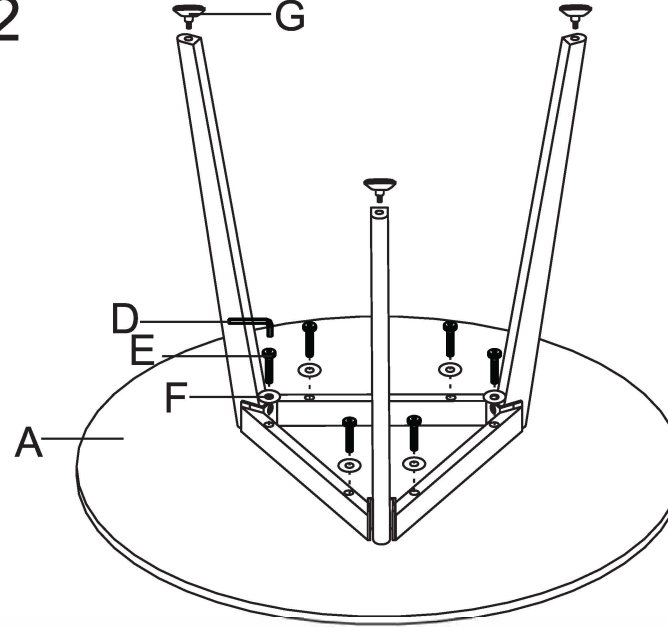


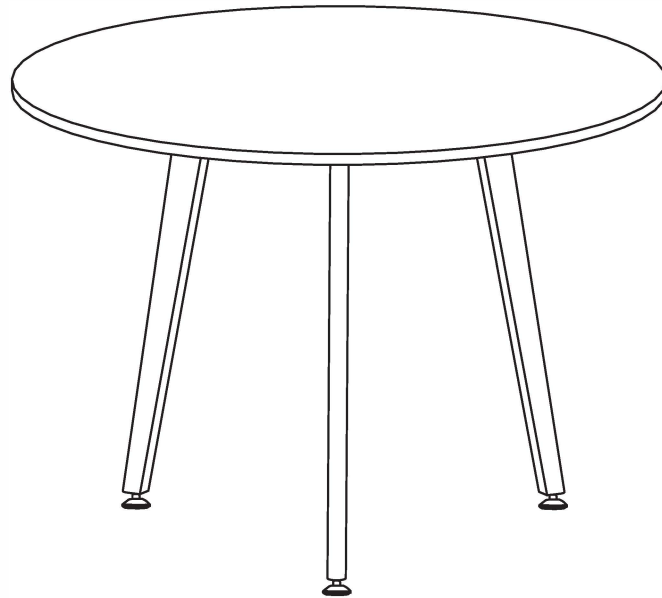
1



2



3



A		1
B		1
C		3
D		1
E	 6x60mm	6
F		12
G		3
H		6