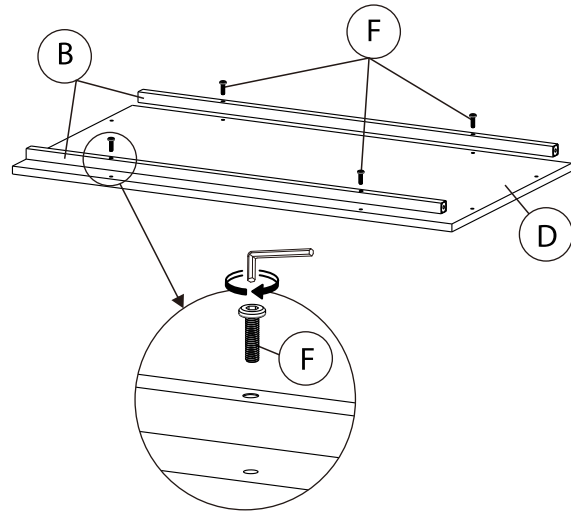


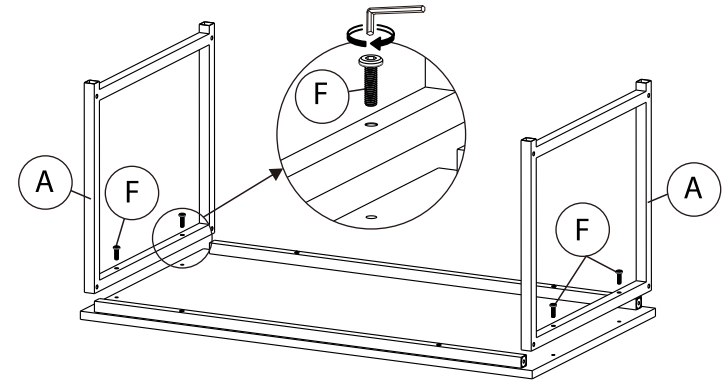
Model: CJ904840

| nr no. | ilość qty. | szkic / sketch |
|--------|------------|----------------|
| A | | |
| B | | |
| C | | |
| D | | |
| E | | |
| F | | |
| G | | |

1
Bx2
Dx1
Fx4

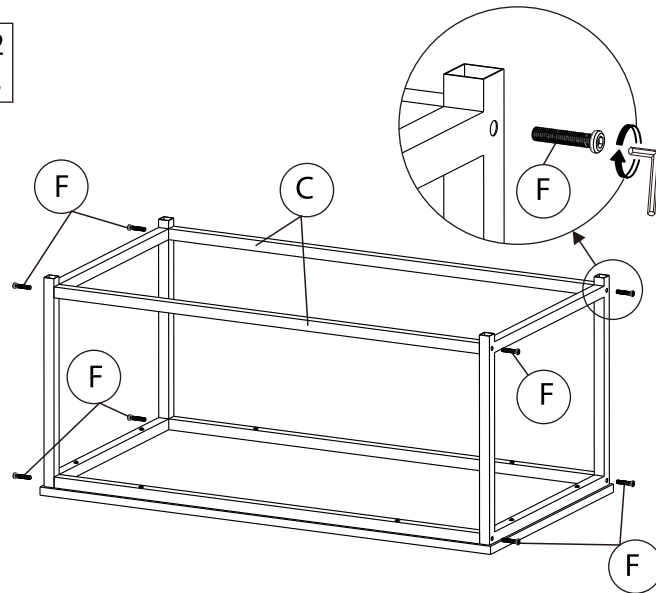
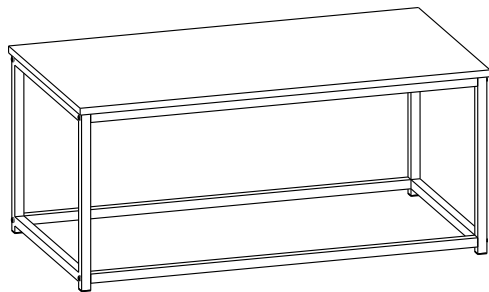


2
Ax2
Fx4



3
Cx2
Fx8

modern HOME



4
Ex4

