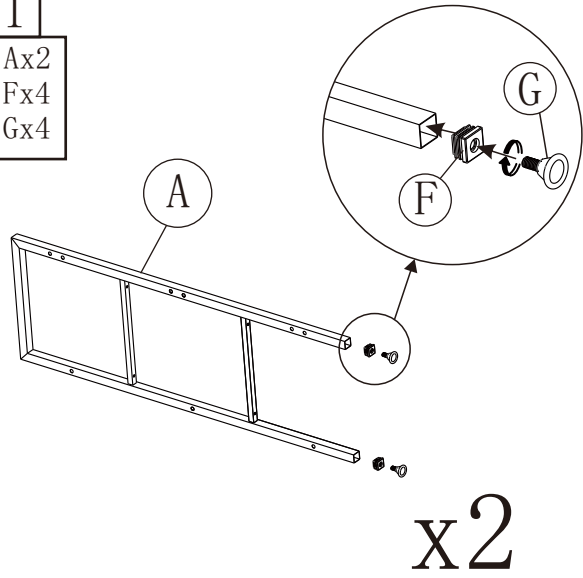
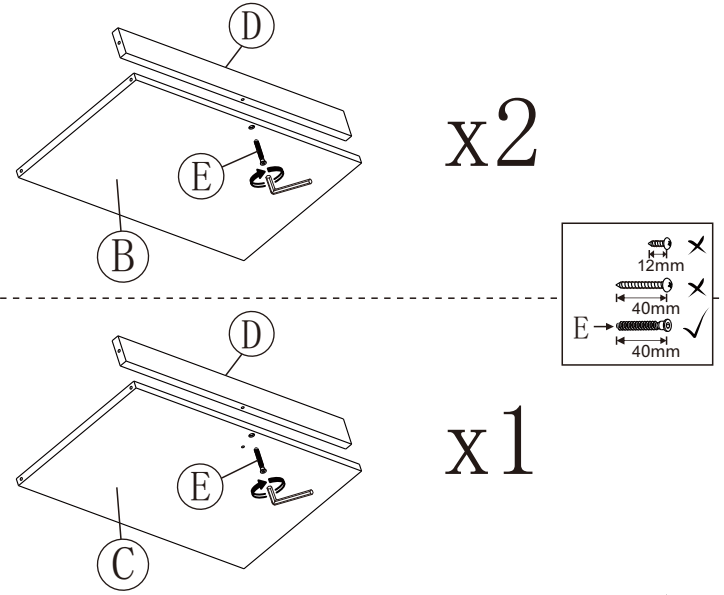


NO.	Qty	Sketch
A	2	
B	2	
C	1	
D	3	
E	21	6. 3x40
F	4	
G	4	
H	1	
I	1	st4. 2x12
J	1	
K	1	st4x40
L	1	

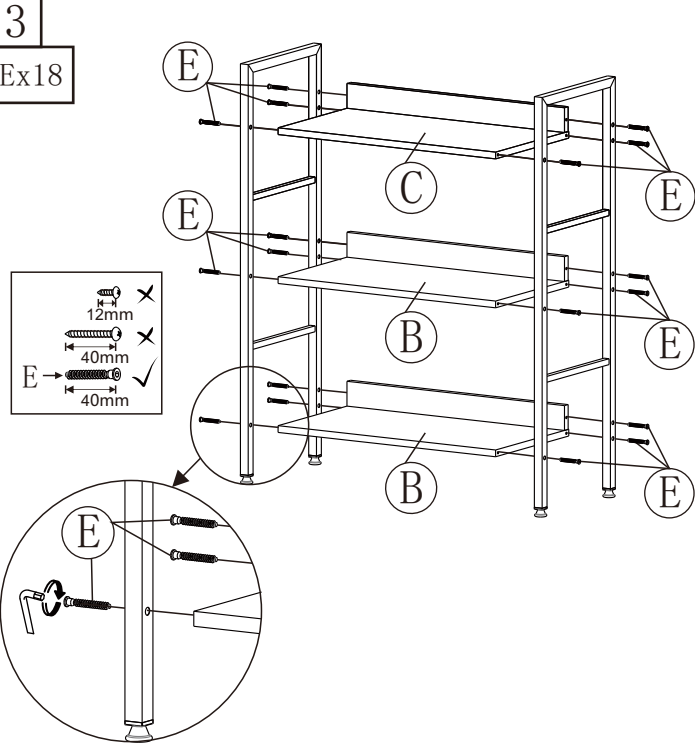
1
Ax2
Fx4
Gx4



2
Bx2
Cx1
Dx3
Ex3



3
Ex18



4
Hx1
Ix1
Jx1
Kx1

