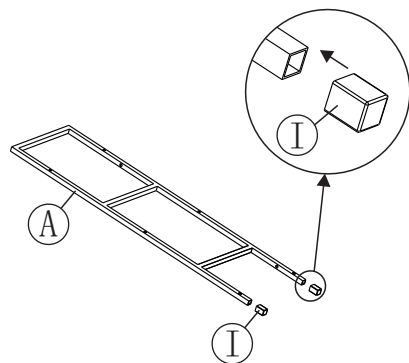
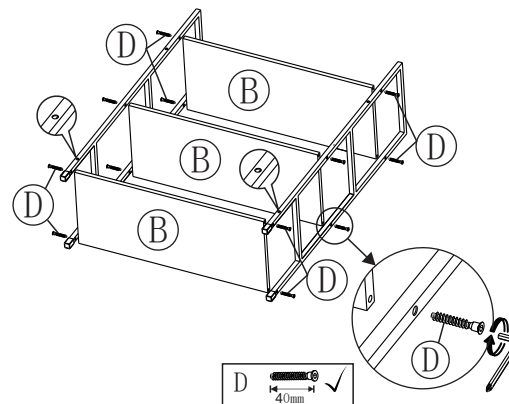


NO.	Qty	Sketch
A	2	
B	3	
C	2	
D	12	6. 3x40mm
E	1	M4x14mm
F	1	M4
G	4	M6x20mm
H	4	M6
I	4	
J	1	st4x40mm
K	1	
L	1	
M	1	
N	1	
O	1	

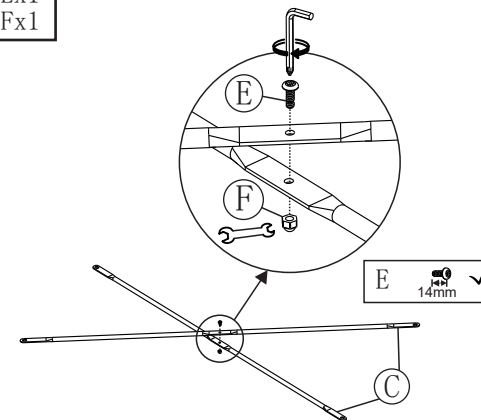
1  
Ax2  
Lx4



2  
Bx3  
Dx12

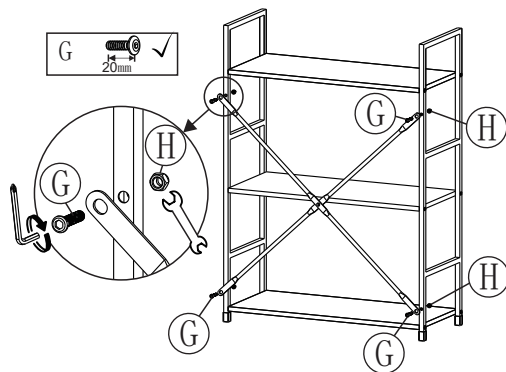


3  
Cx2  
Ex1  
Fx1



x2

4  
Gx4  
Hx4



5  
Jx1  
Kx1  
Lx1  
Mx1

