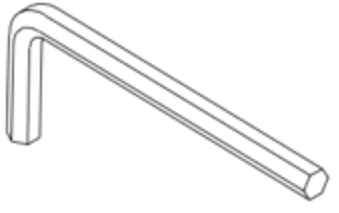


A



M5

X1

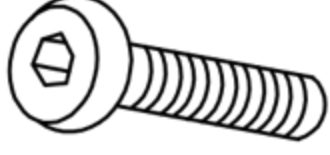
B



$\phi 6 \times 16$

X4

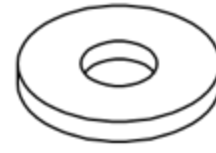
C



$\phi 6 \times 20$

X8

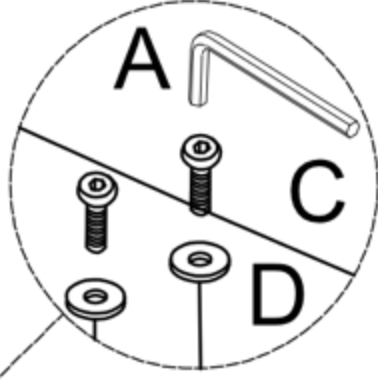
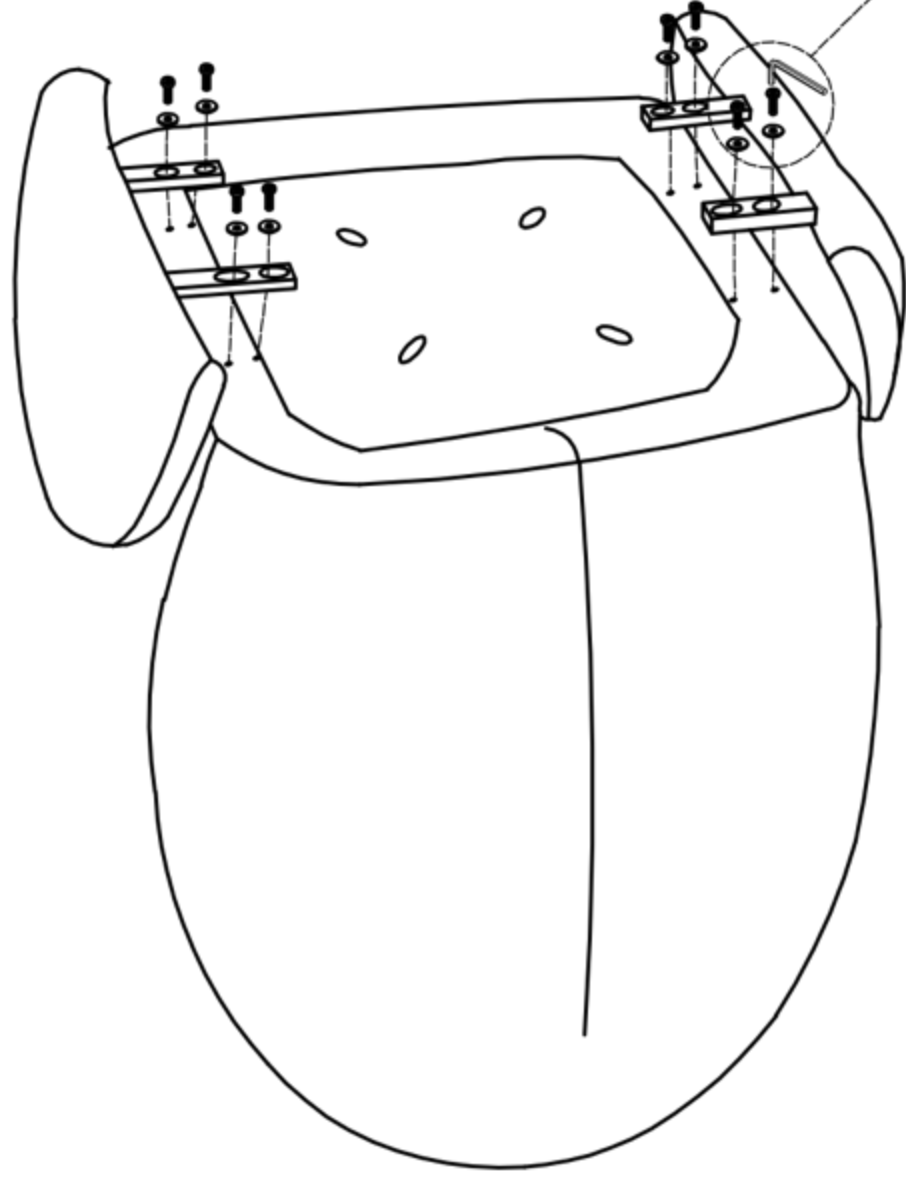
D



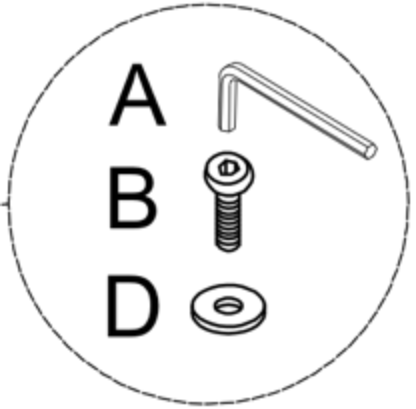
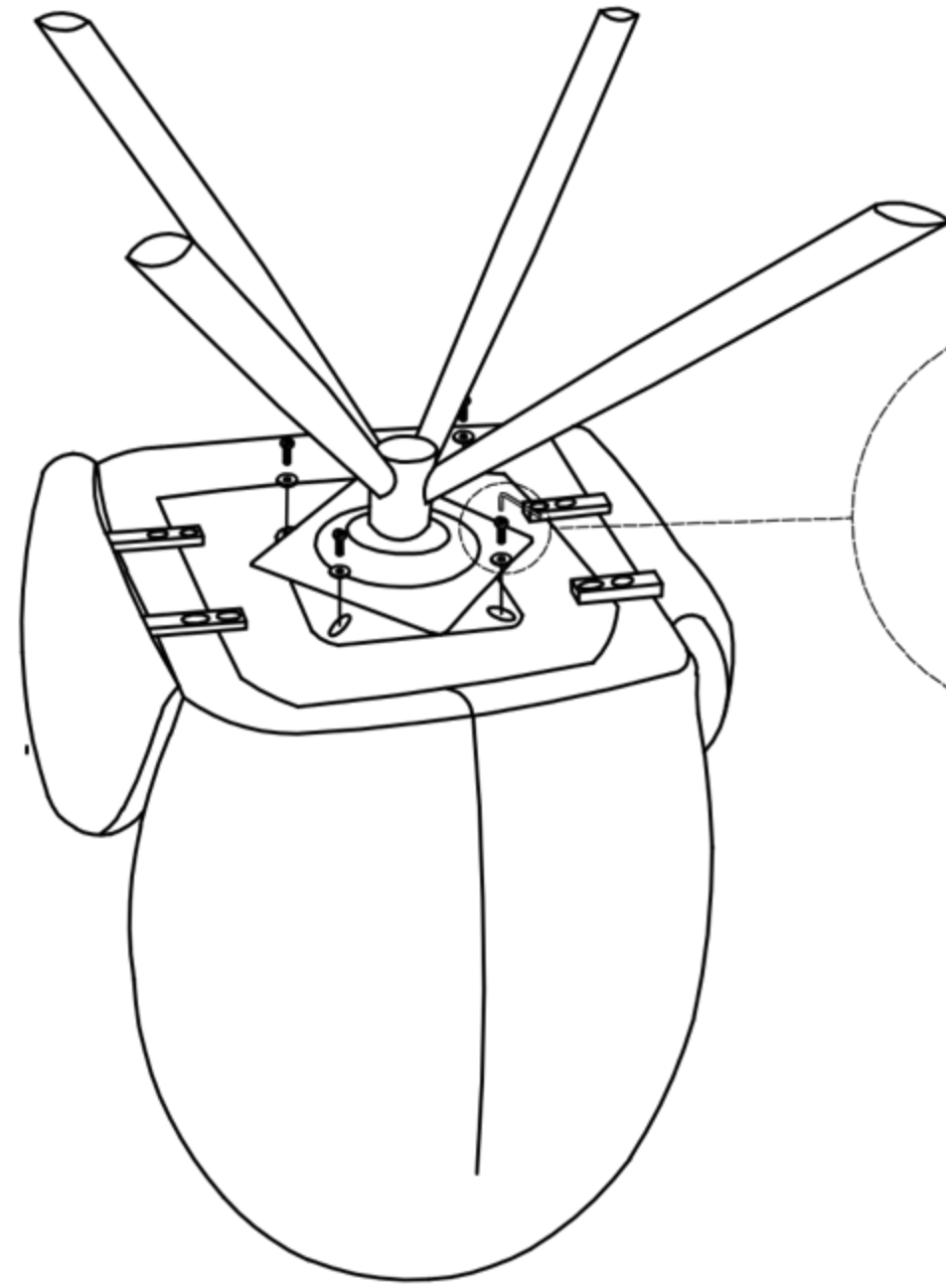
$\phi 6 \times 18$

X12

1



2



3

