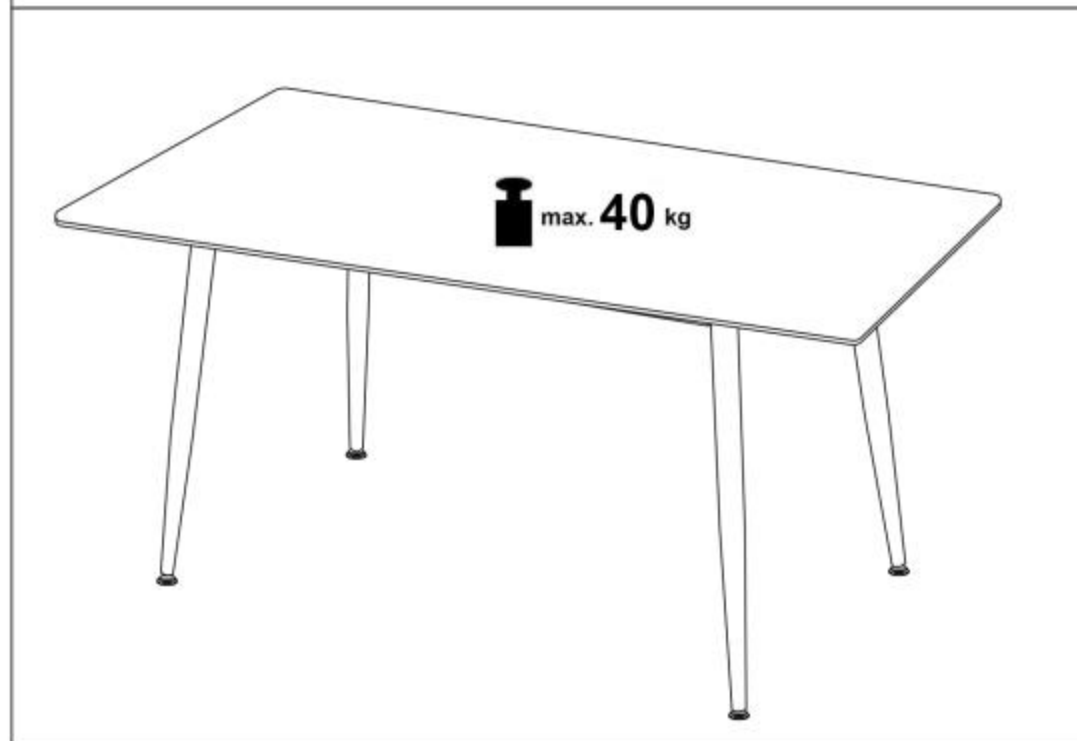
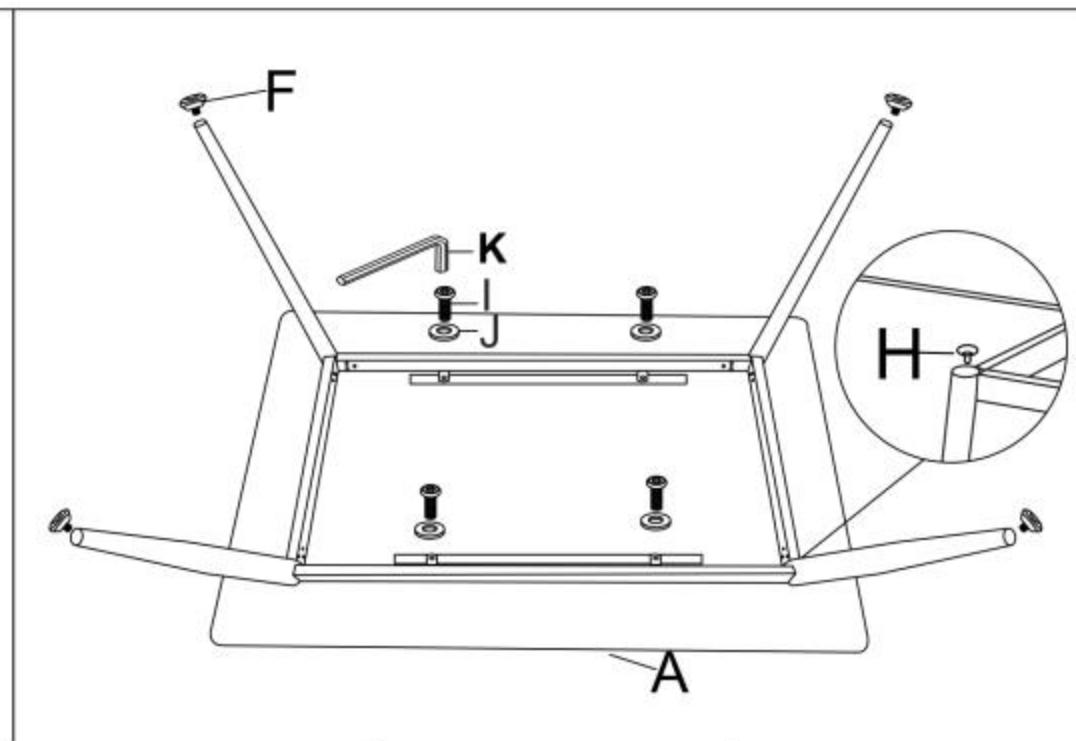
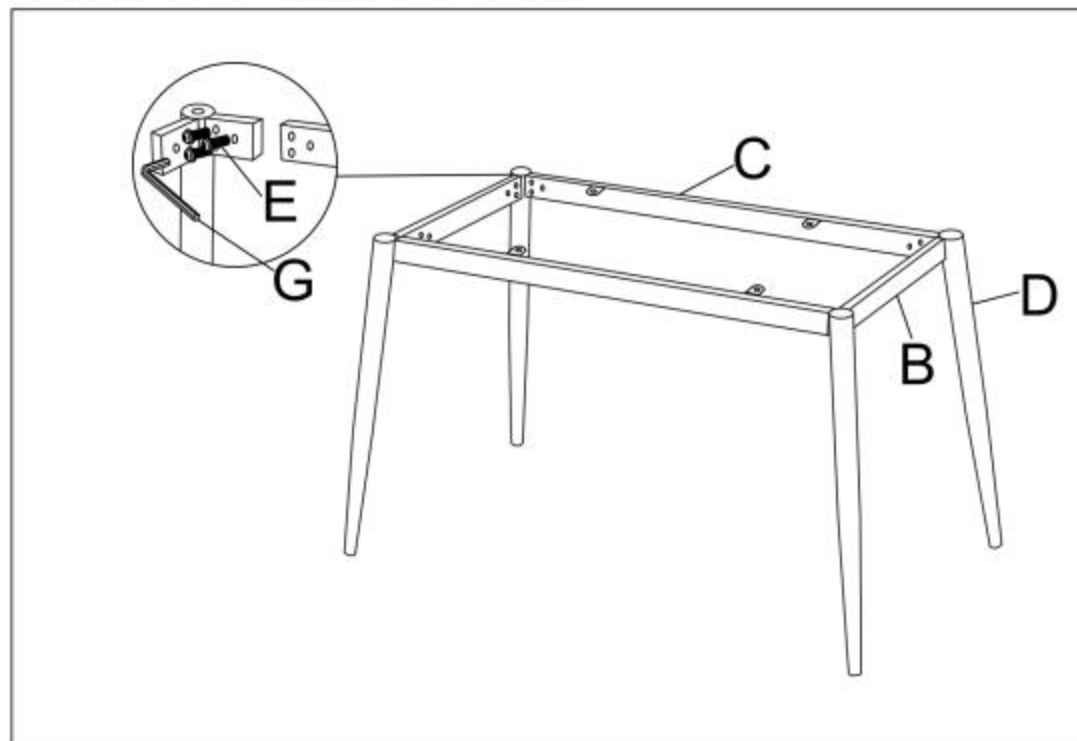



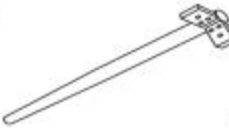









# EMILIO 120 & 140



|   |  |   |   |   |  |
|---|--|---|---|---|--|
| A |  x1         | B |  x2          | C |  x2         |
| D |  x4       | E |  M8×12 x24 | F |  φ8×30 x4 |
| G |  M6 x1    | H |  φ8×30 x4  | I |  M8×14 x4 |
| J |  φ8×18 x4 | K |  M5 x1     |   |  |

HALMAR Sp. z o.o.

ul. Centralnego Okręgu Przemysłowego 2, 37-450 Stalowa Wola, POLSKA / POLAND  
tel. +48 15 843 28 10, fax: +48 15 842 19 57, e-mail: office@halmar.com.pl

v.1

**NOWOŚĆ**