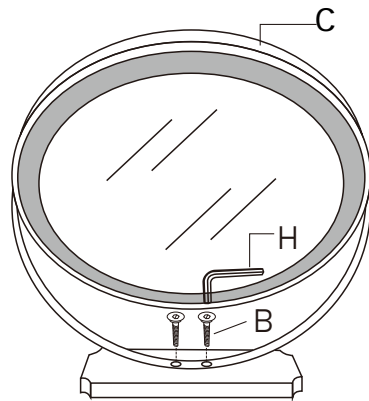


INSTALLATION DIAGRAM OF DRESSING TABLE

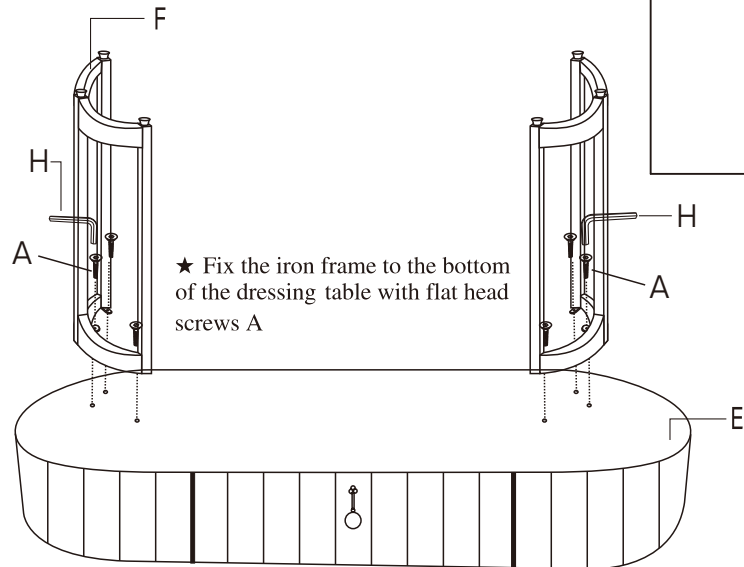
-ASHLEY

STEP 1



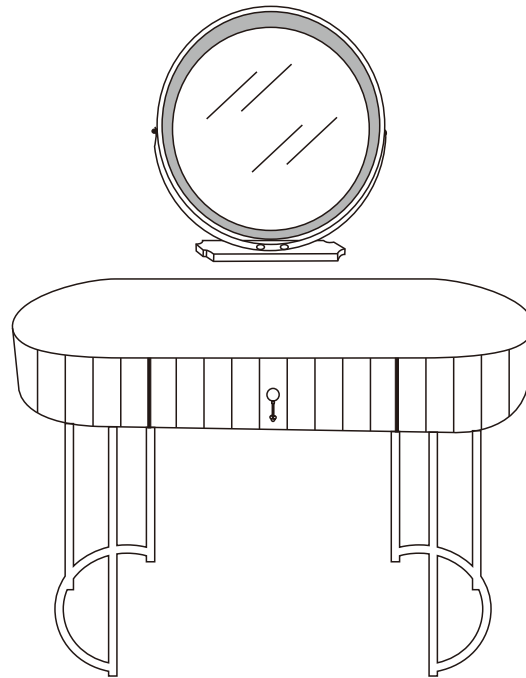
★ Lock the screws B of the mirror directly onto the mirror base

STEP 2



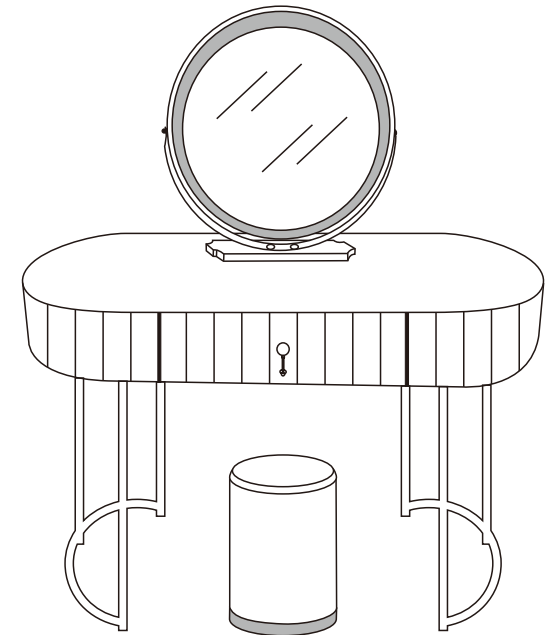
★ Fix the iron frame to the bottom of the dressing table with flat head screws A

STEP 3



★ After installing the iron frame on the dressing table, flip it over to complete the task

STEP 4



installation is complete
Please install in the order of 123

Hardware diagram

<p>3.5*14</p>		<p>2*1</p>			
A	FLAT HEAD SCREW	B	FLAT HEAD SCREW	C	MIRROR
E	TABLE	F	LEGS OF TABLE	G	STOOL
				H	ALLEN KEY