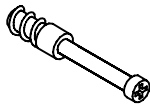
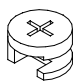
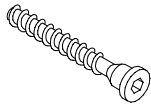
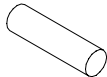
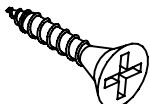
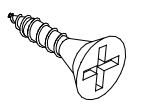
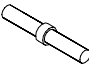
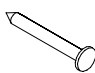
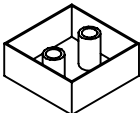
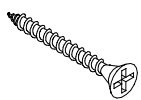
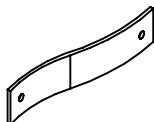

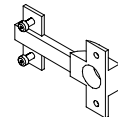
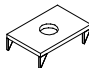
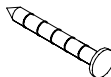
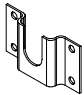
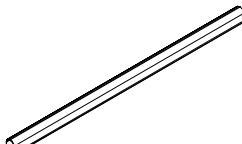
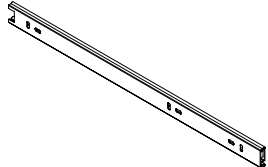

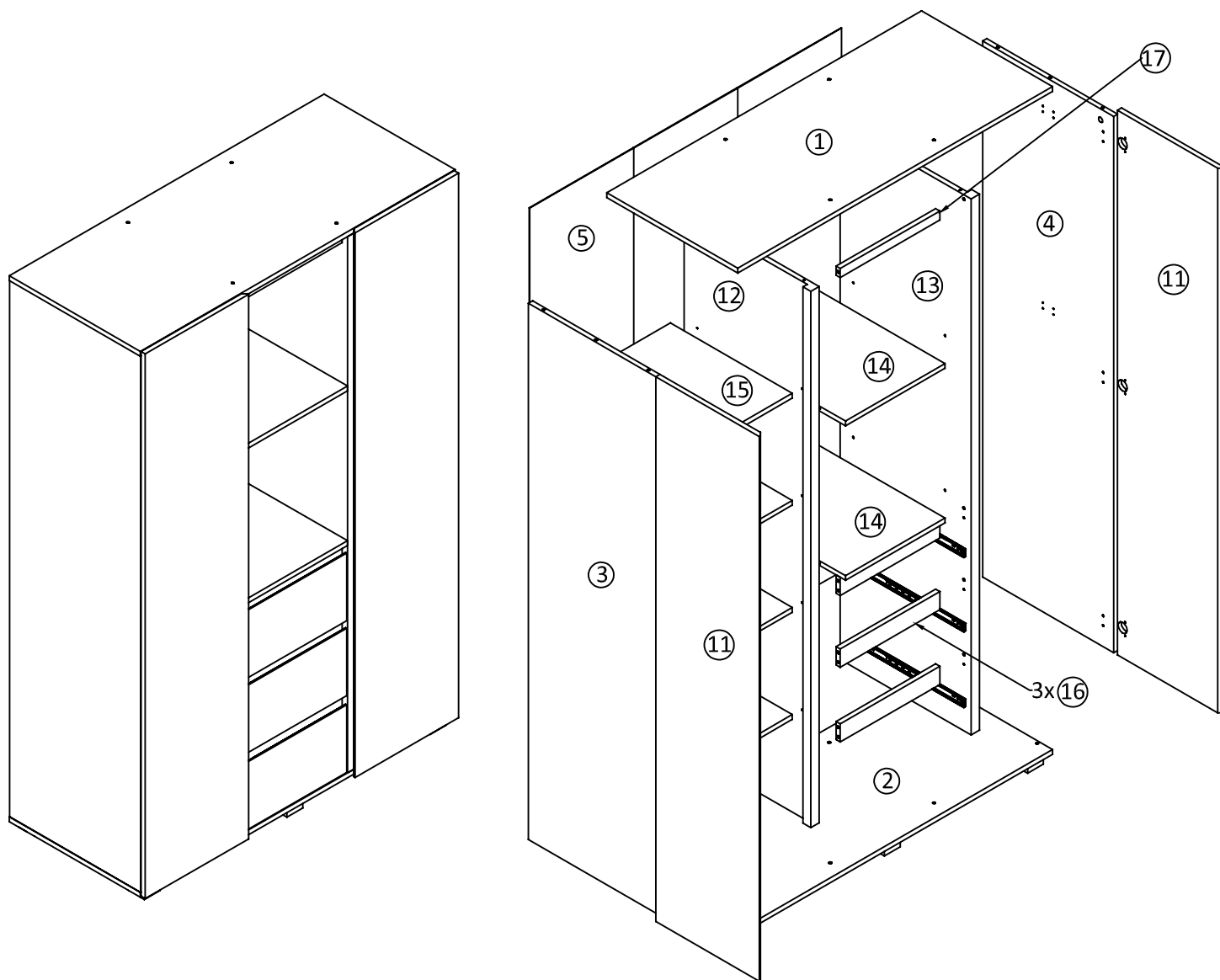
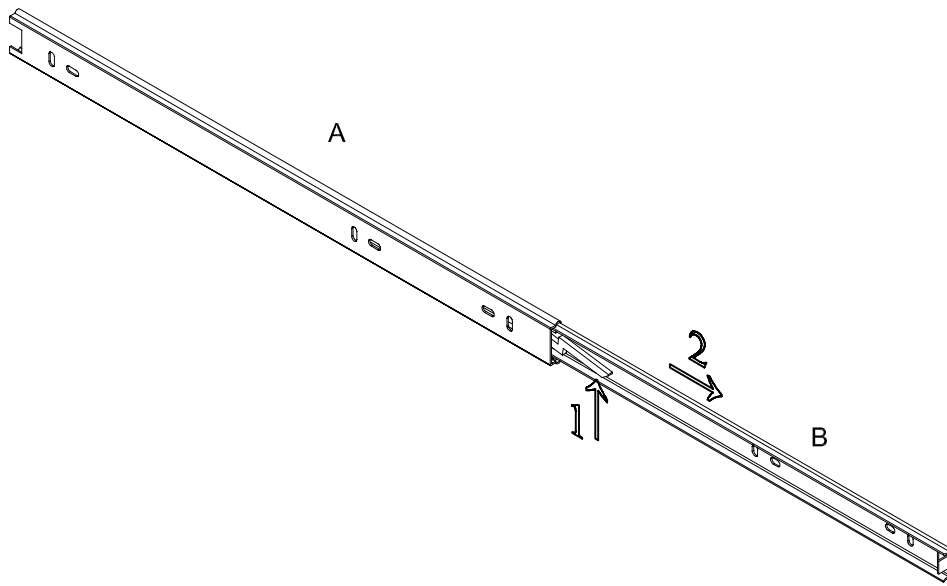


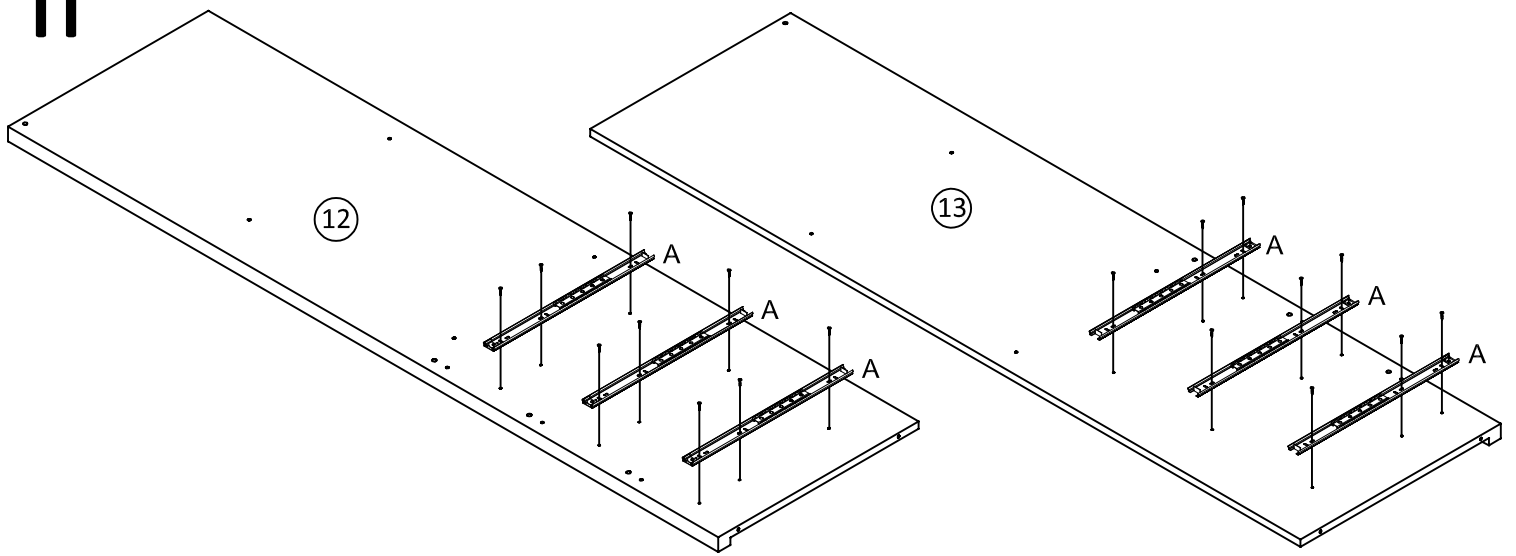
| | | | | | | |
|--|--|--|---|---|--|--|
|  MT x30 |  M x30 |  WK5 x24 |  D8 x10 |  W3516 x13 |  W3513 x52 |  A04 x16 |
|  A02 x60 |  S2 x6 |  W3530 x12 |  A06 x1 |  A05 x1 |  ZP x6 |  A09 x14 |
|  A09/1 x14 |  D0 x4 |  D1 x2 |  PK x6 |  A01 x1 | | |



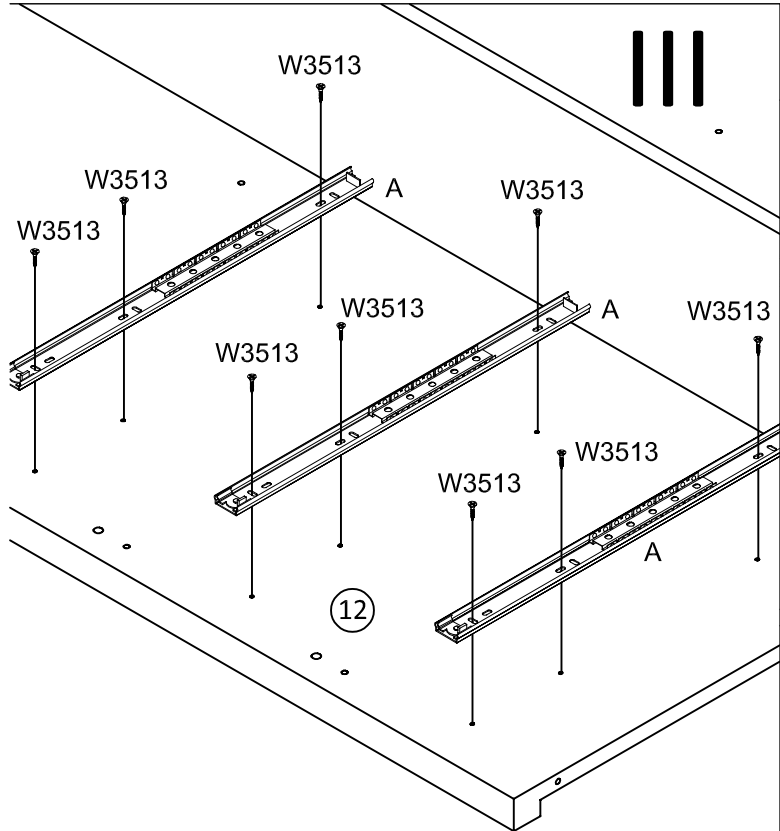
I



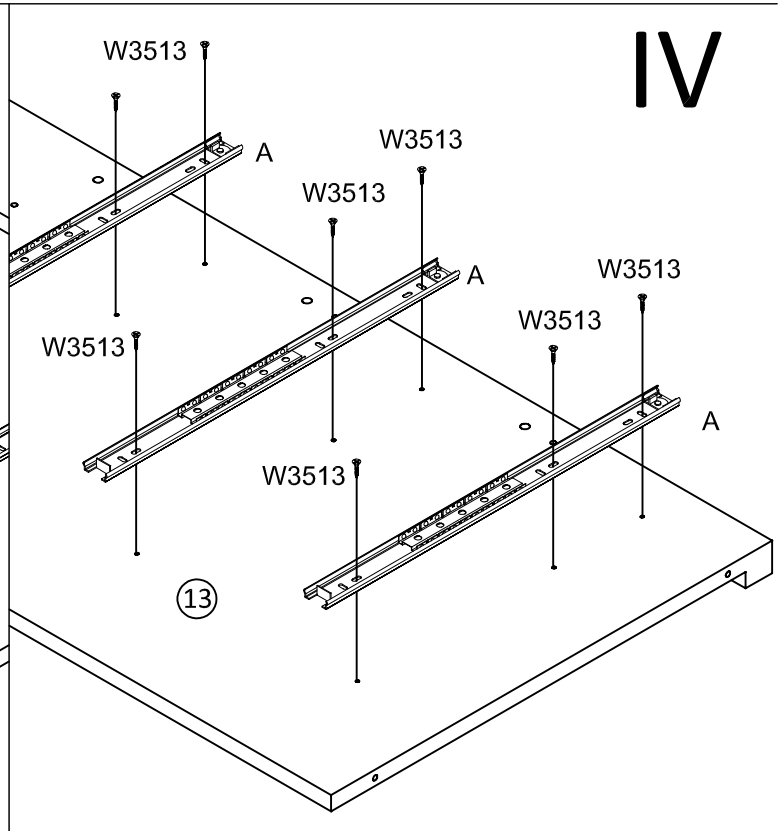
II

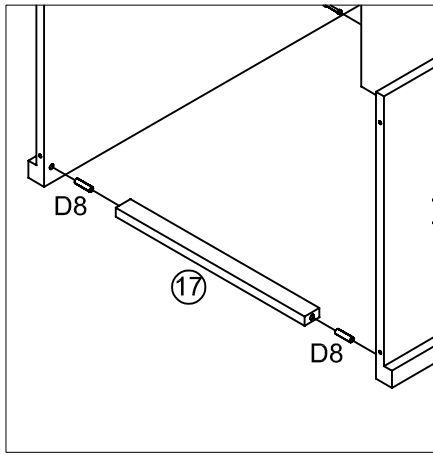


III

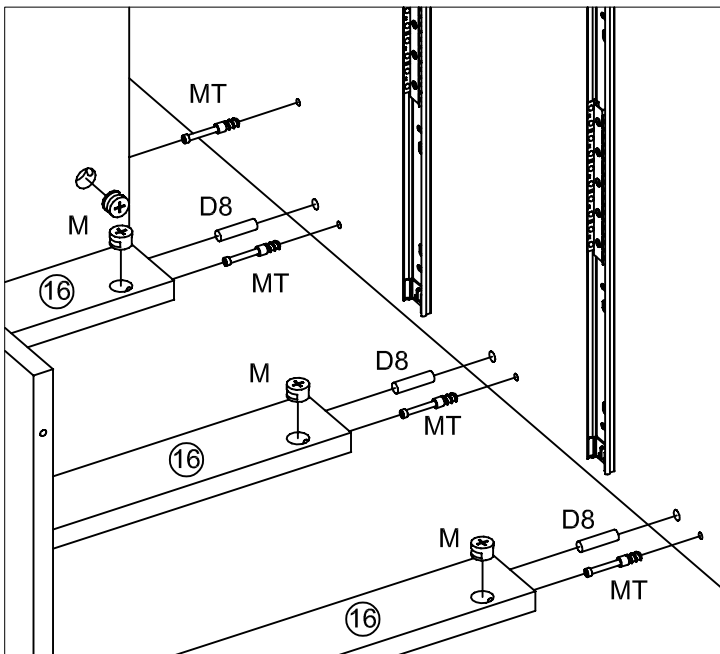
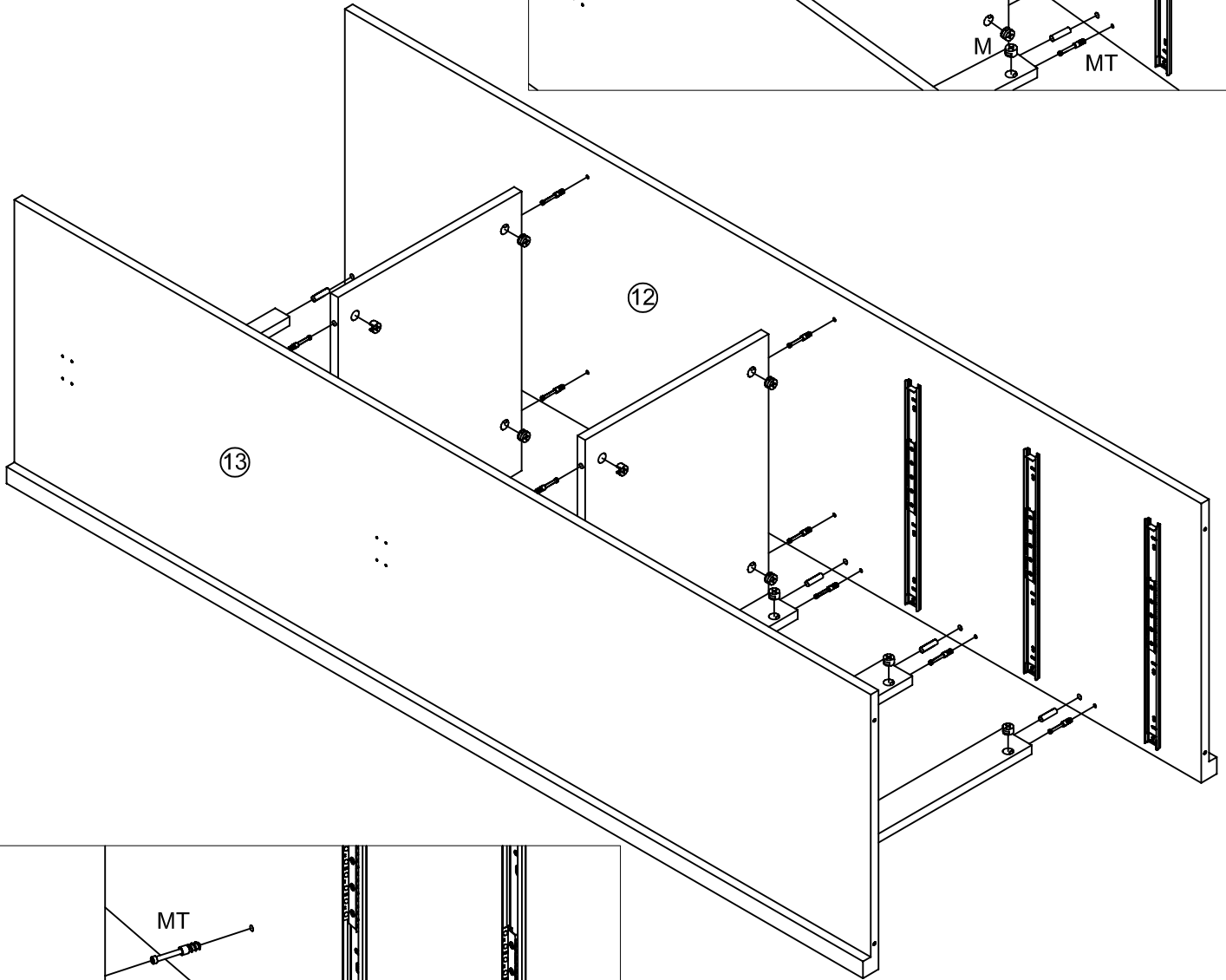
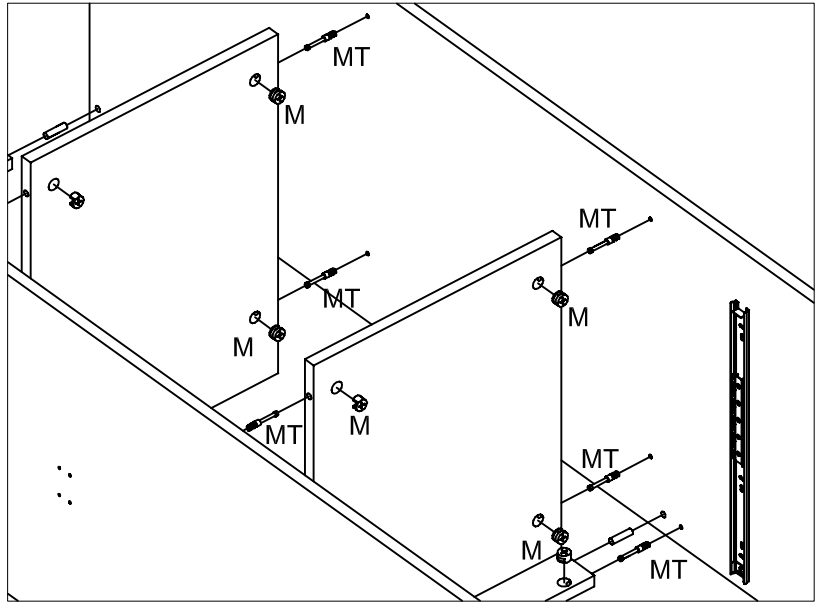


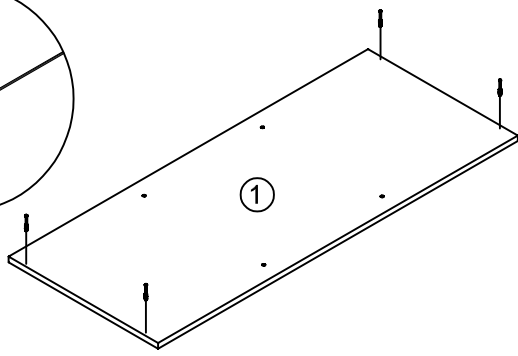
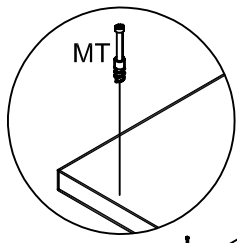
IV



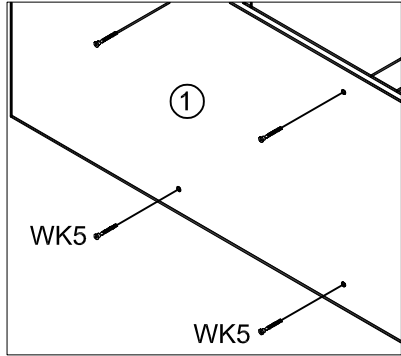
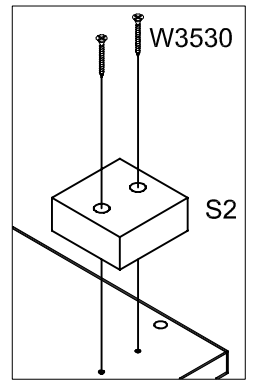
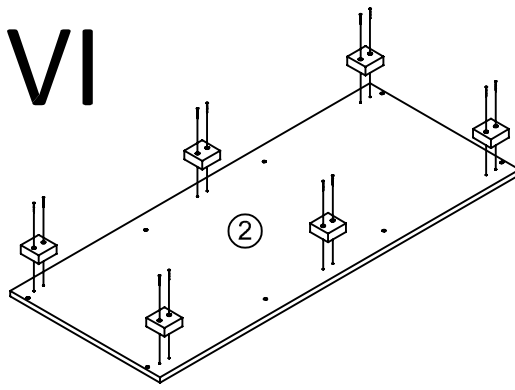


V

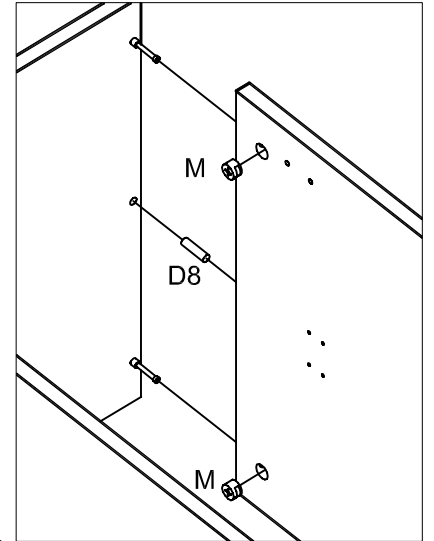
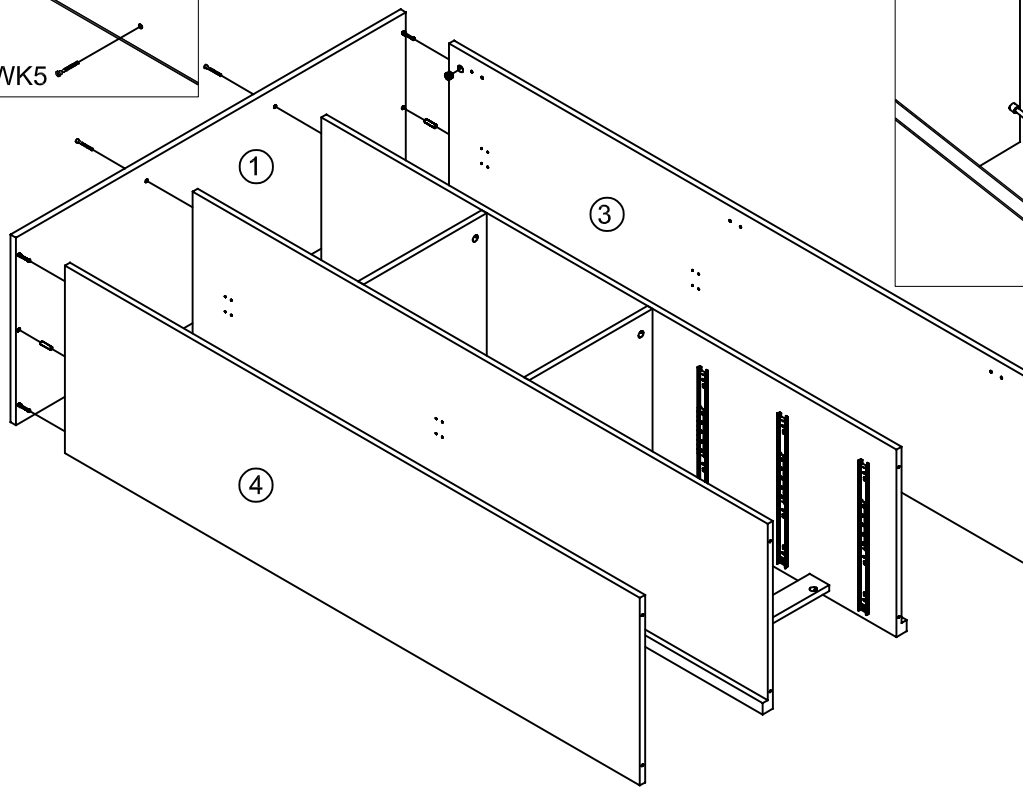




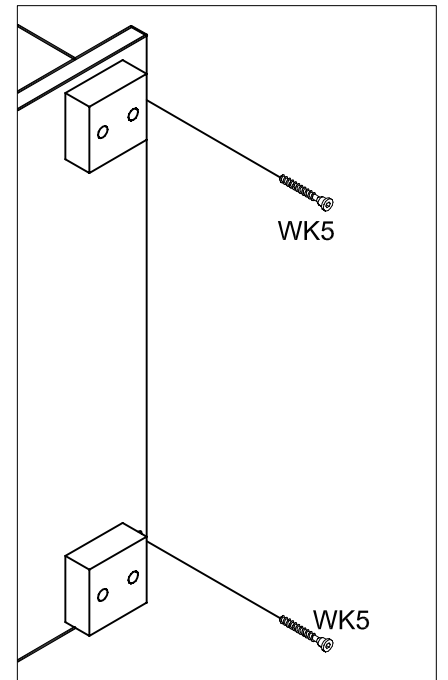
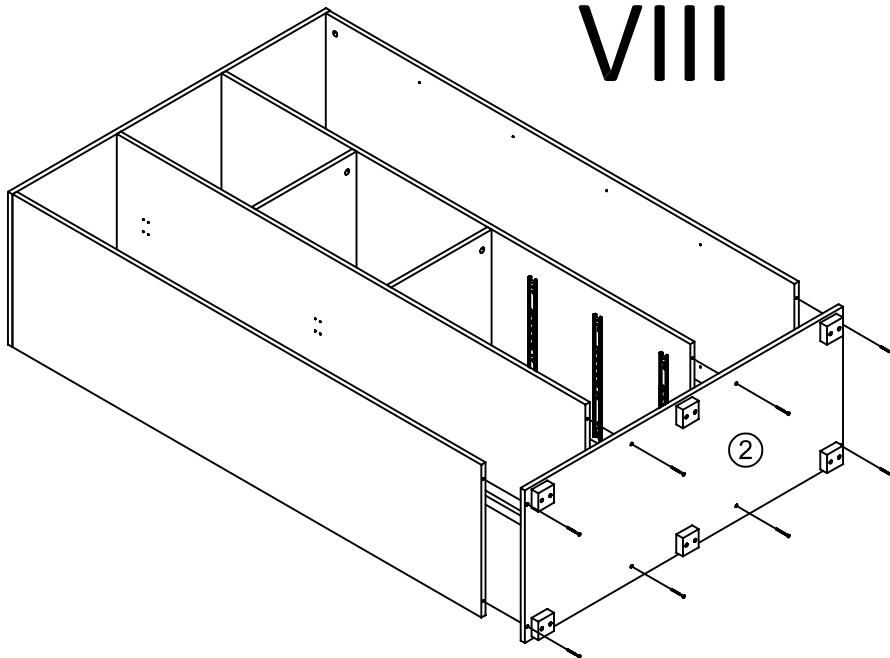
VI



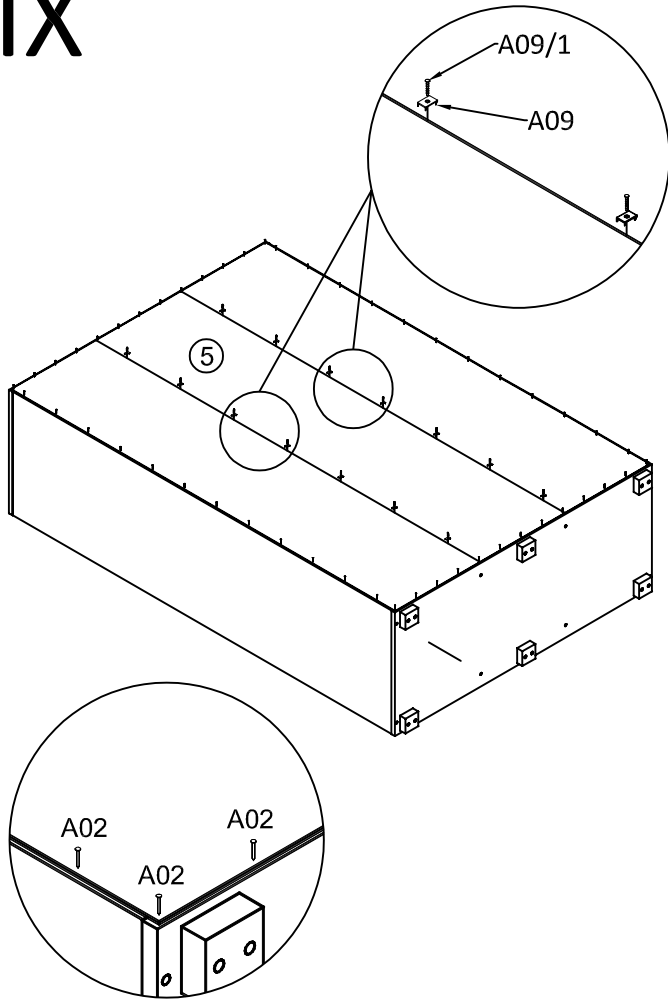
VII



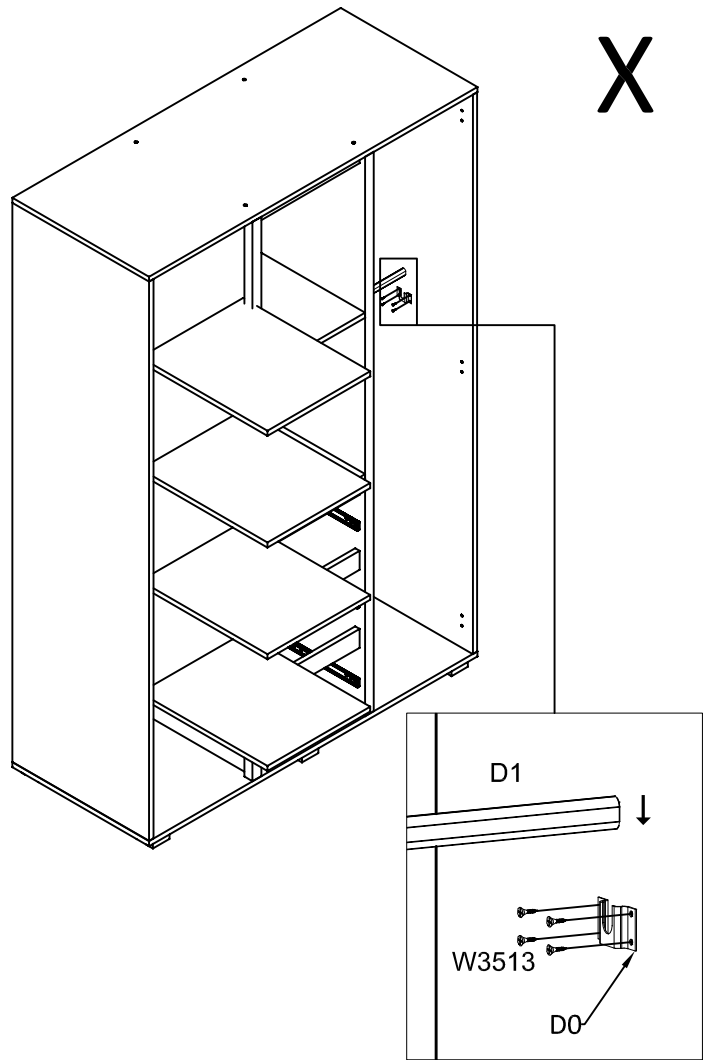
VIII



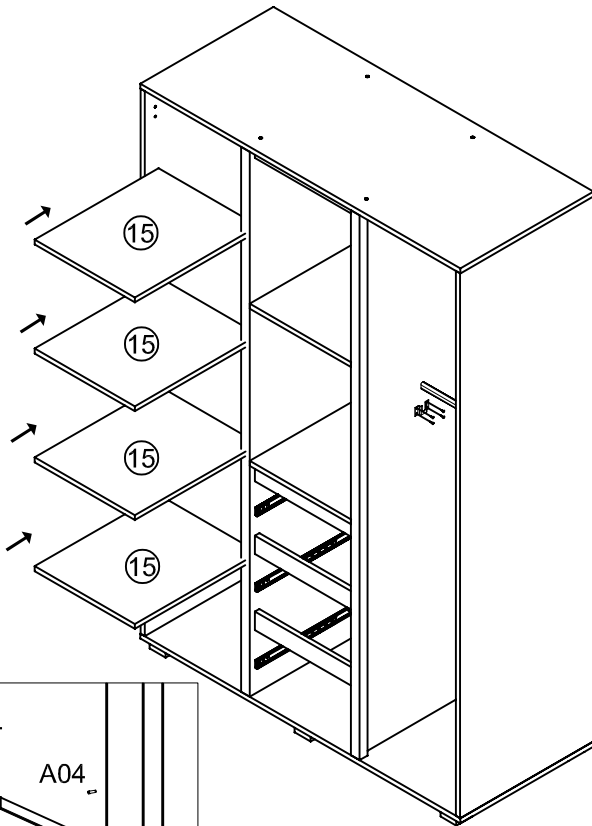
IX



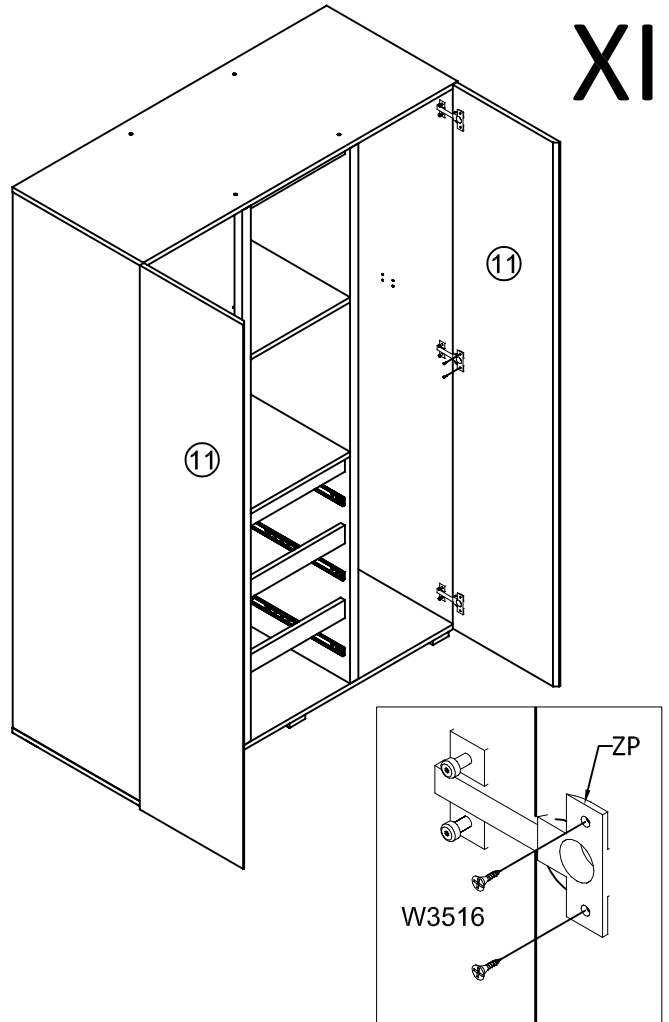
X



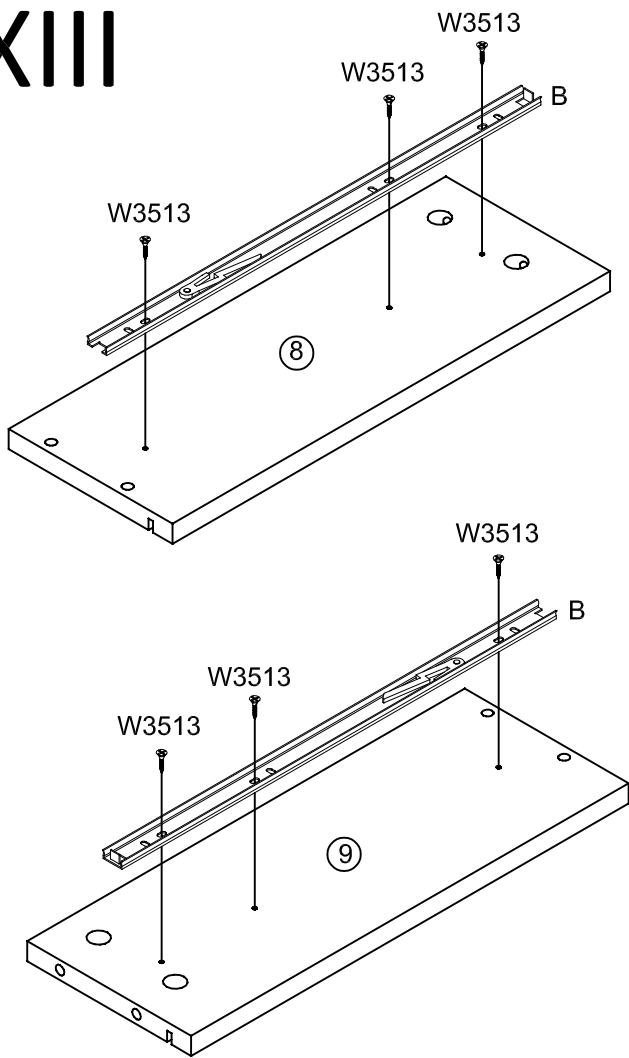
XI



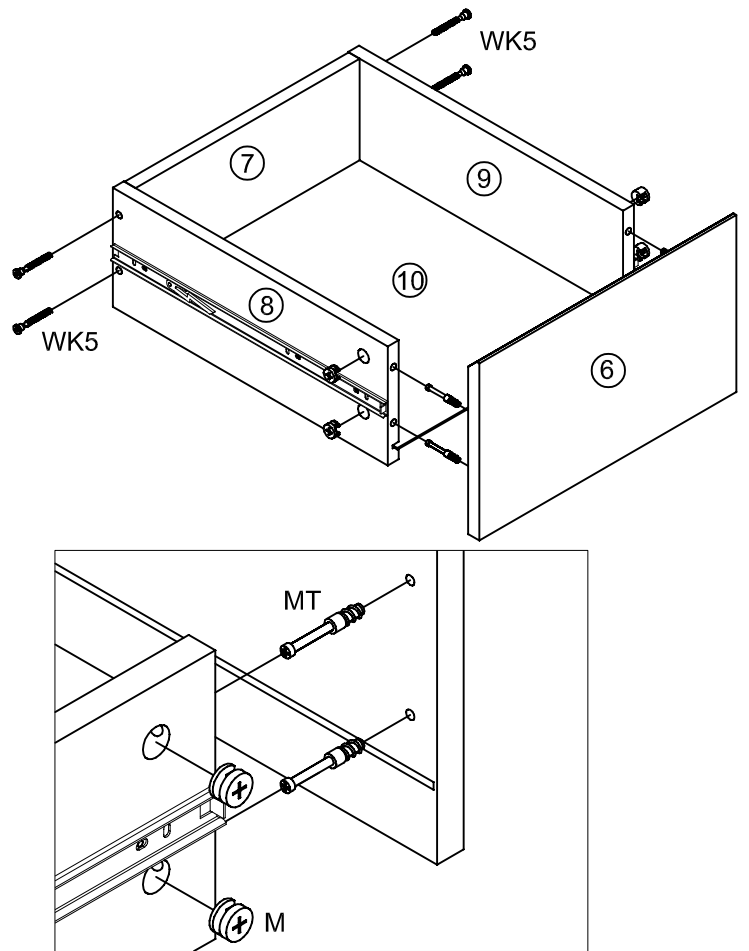
XII



XIII



XIV



XV

