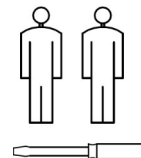


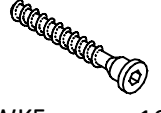



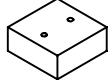


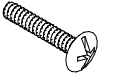
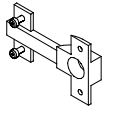
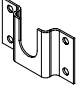

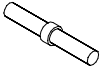
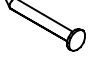
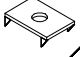
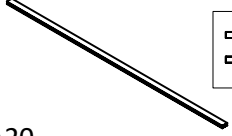
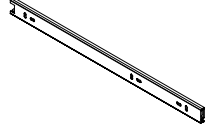


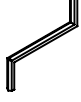
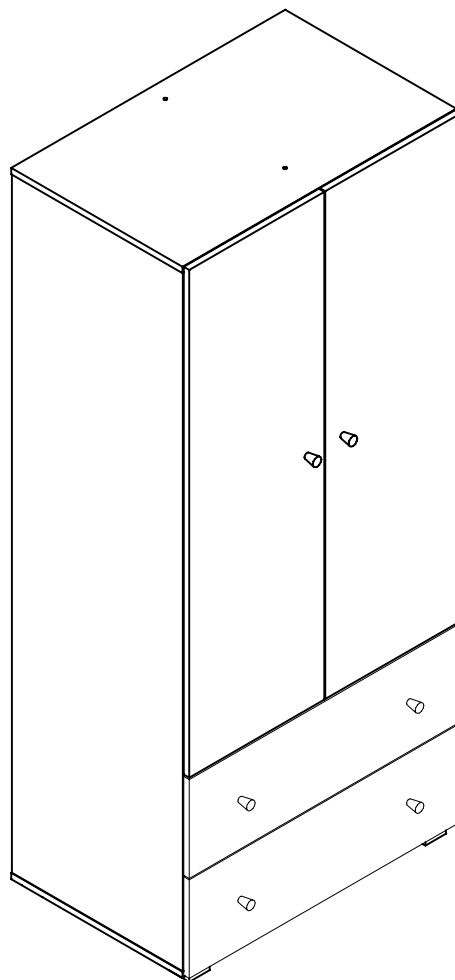
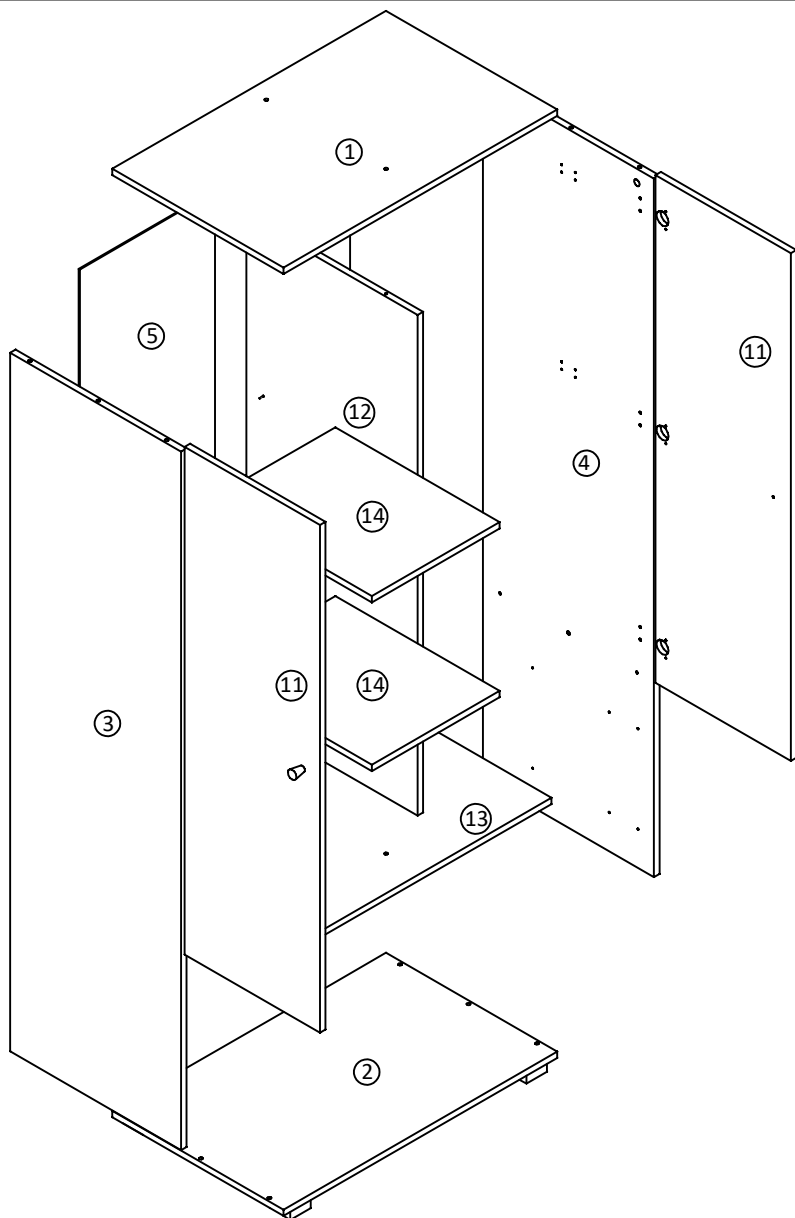


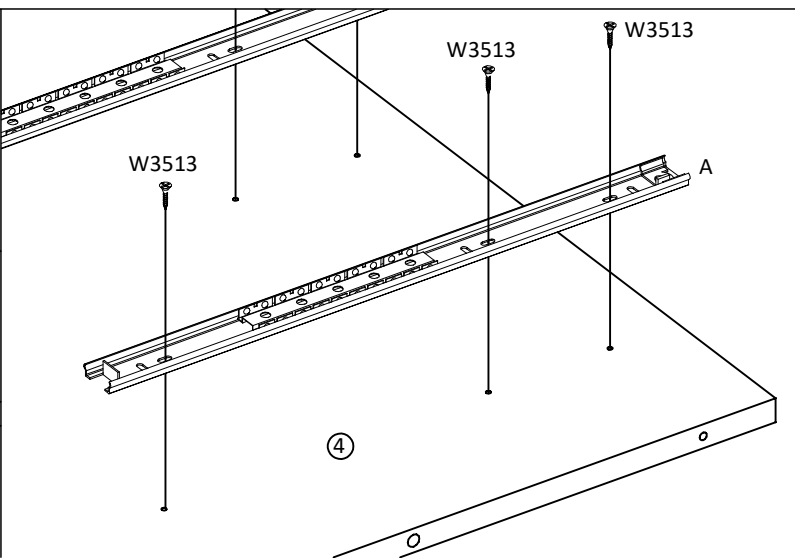
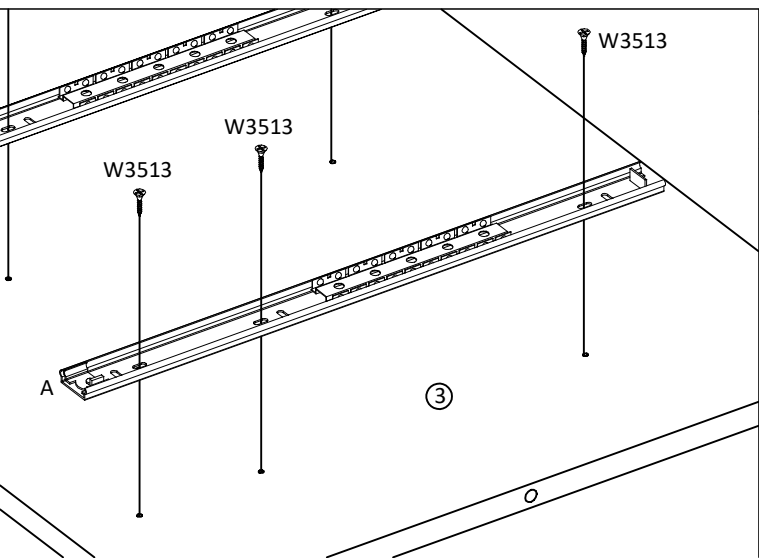
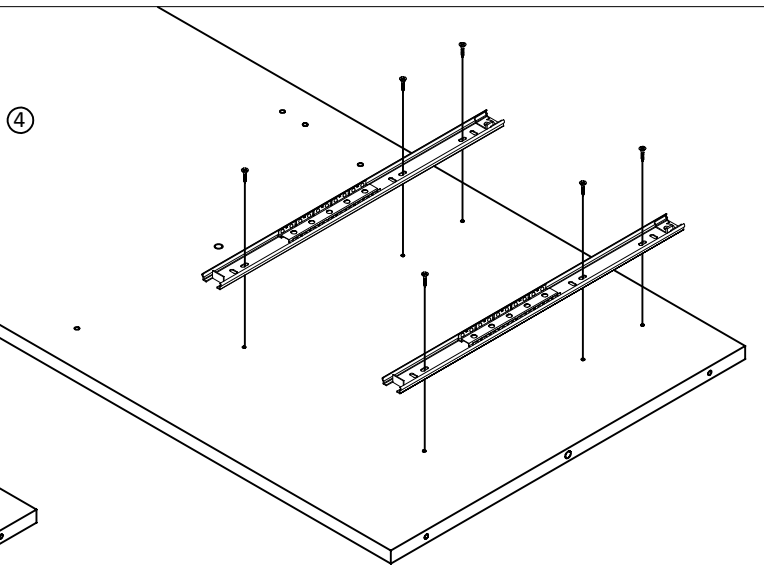
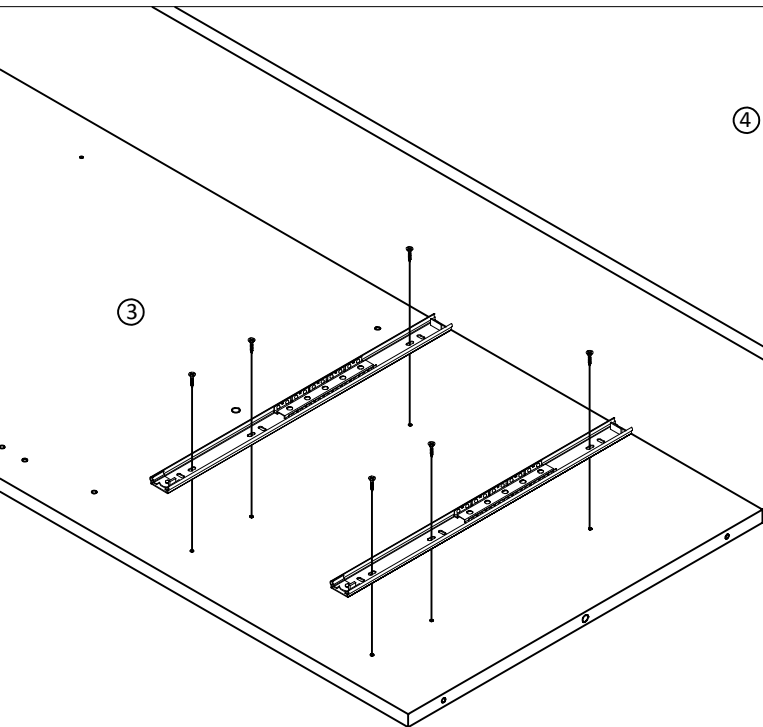
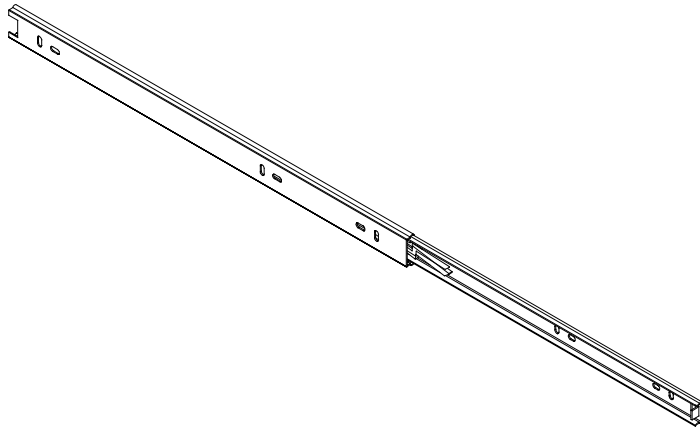
# PAULINE



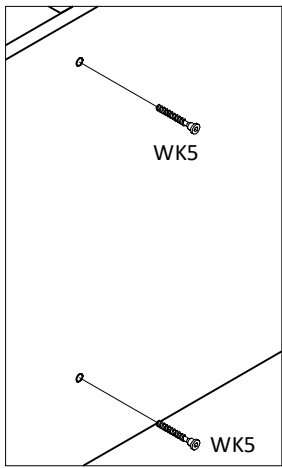
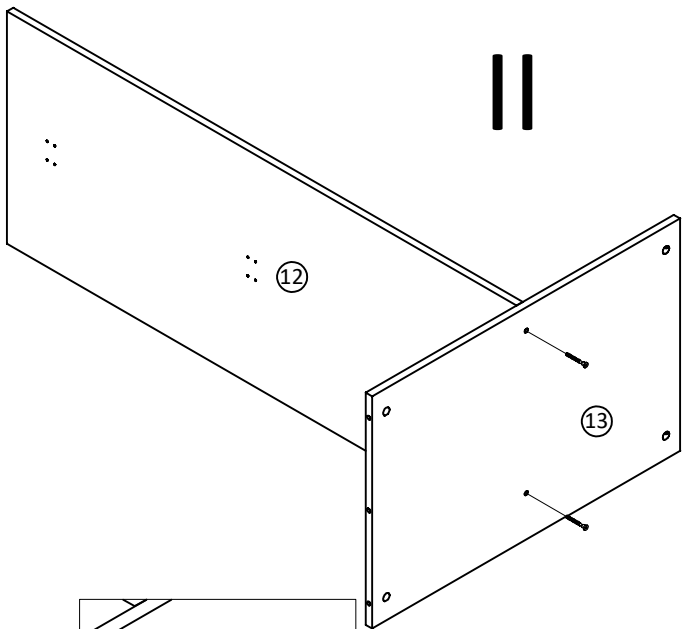
							
MT	M	WK5	D8	W3516	W3513	S2	W3530
x16	x16	x16	x6	x13	x40	x4	x8
							
U5	SU5	ZP	D0	D1	A04	A02	A09
x6	x6	x6	x4	x2	x8	x40	x3
							
A20	PK	A06	A05	A01			
x1	x1	x4	x1	x1			



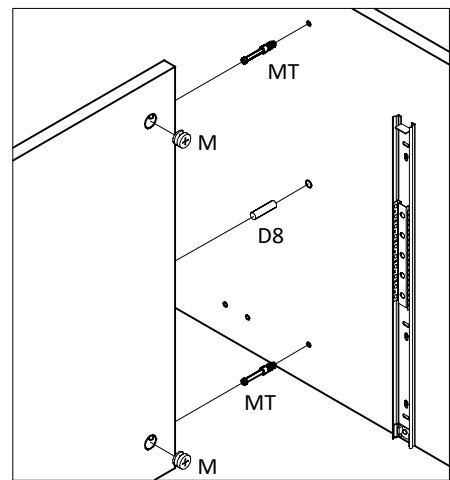
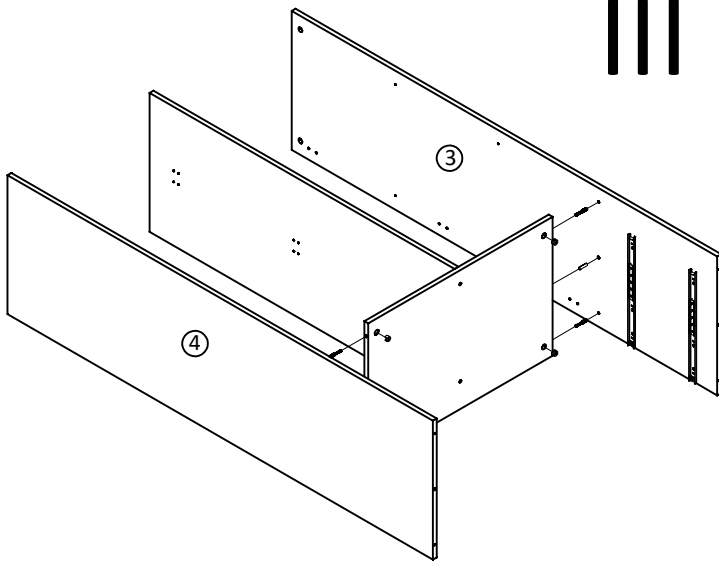
I



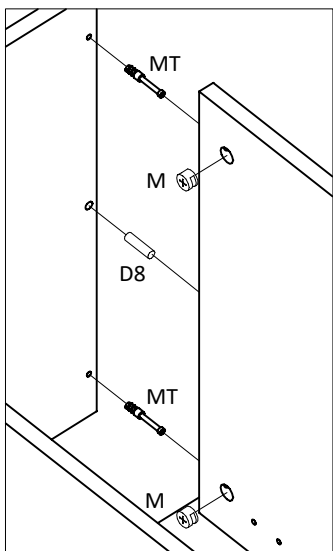
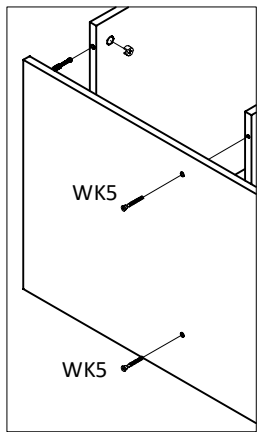
II



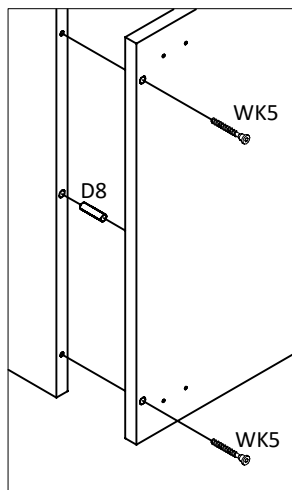
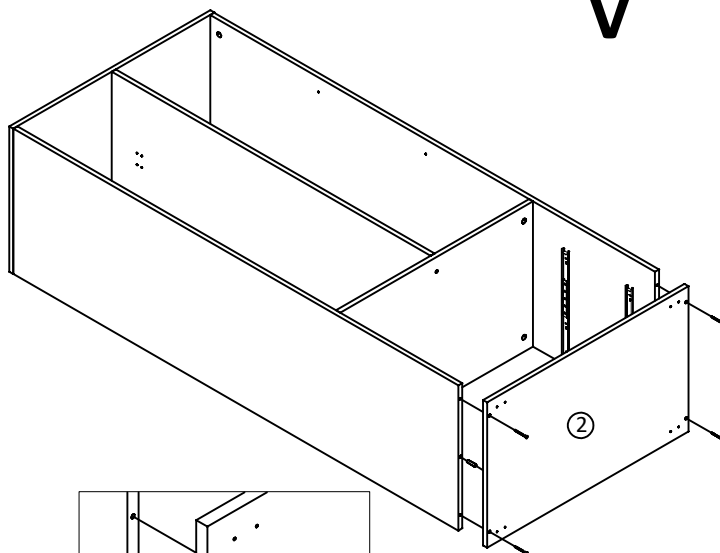
III



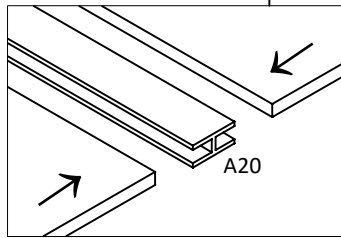
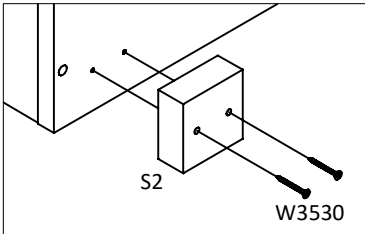
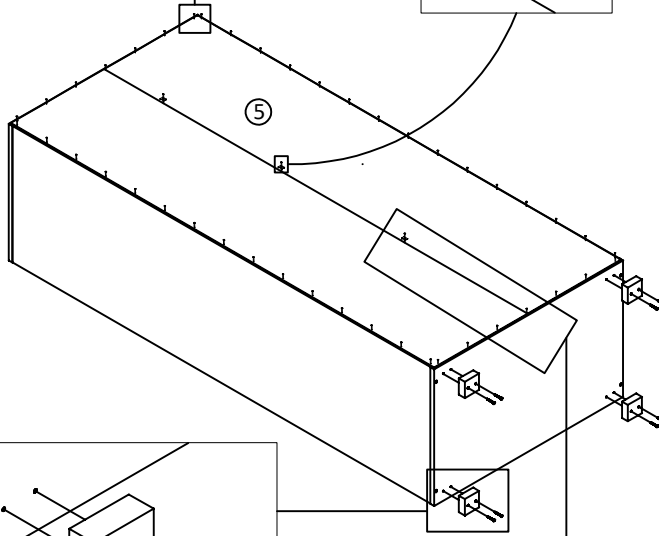
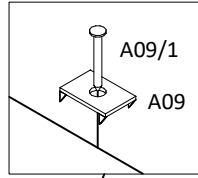
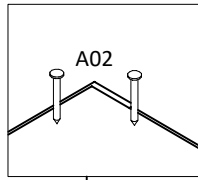
IV



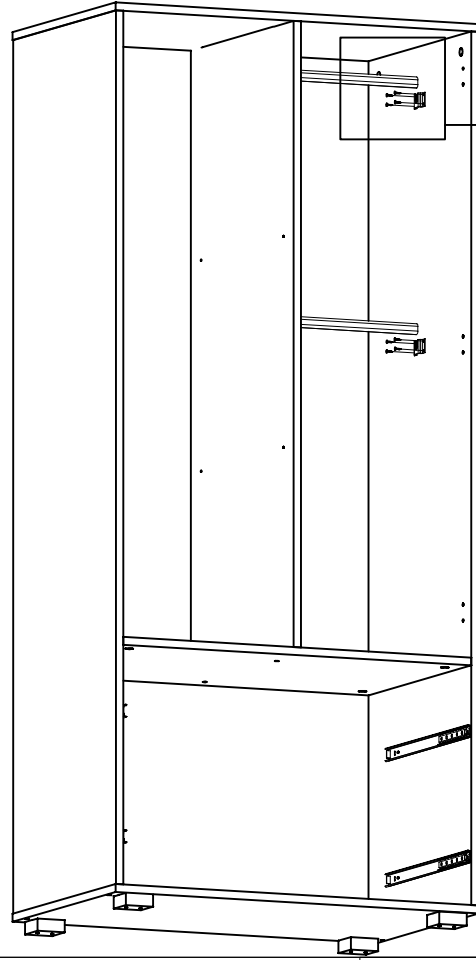
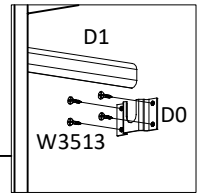
V



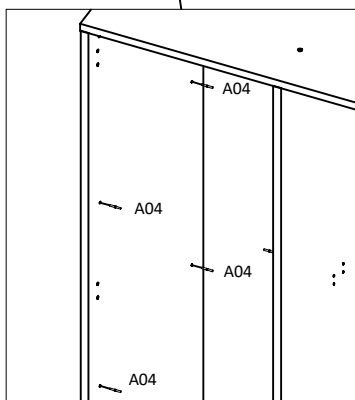
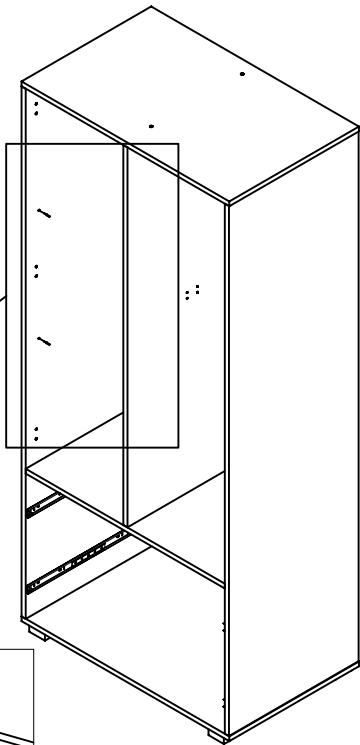
# VI



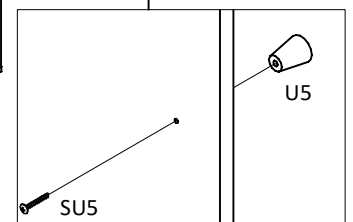
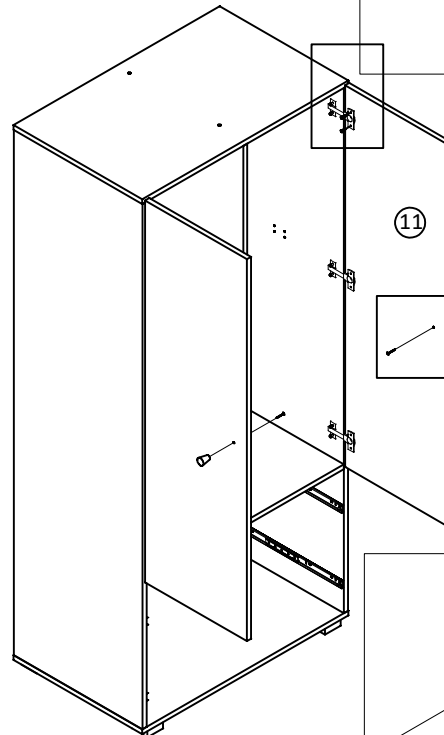
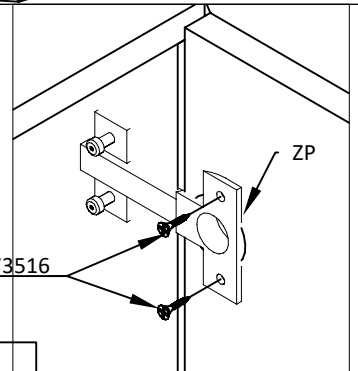
# VII



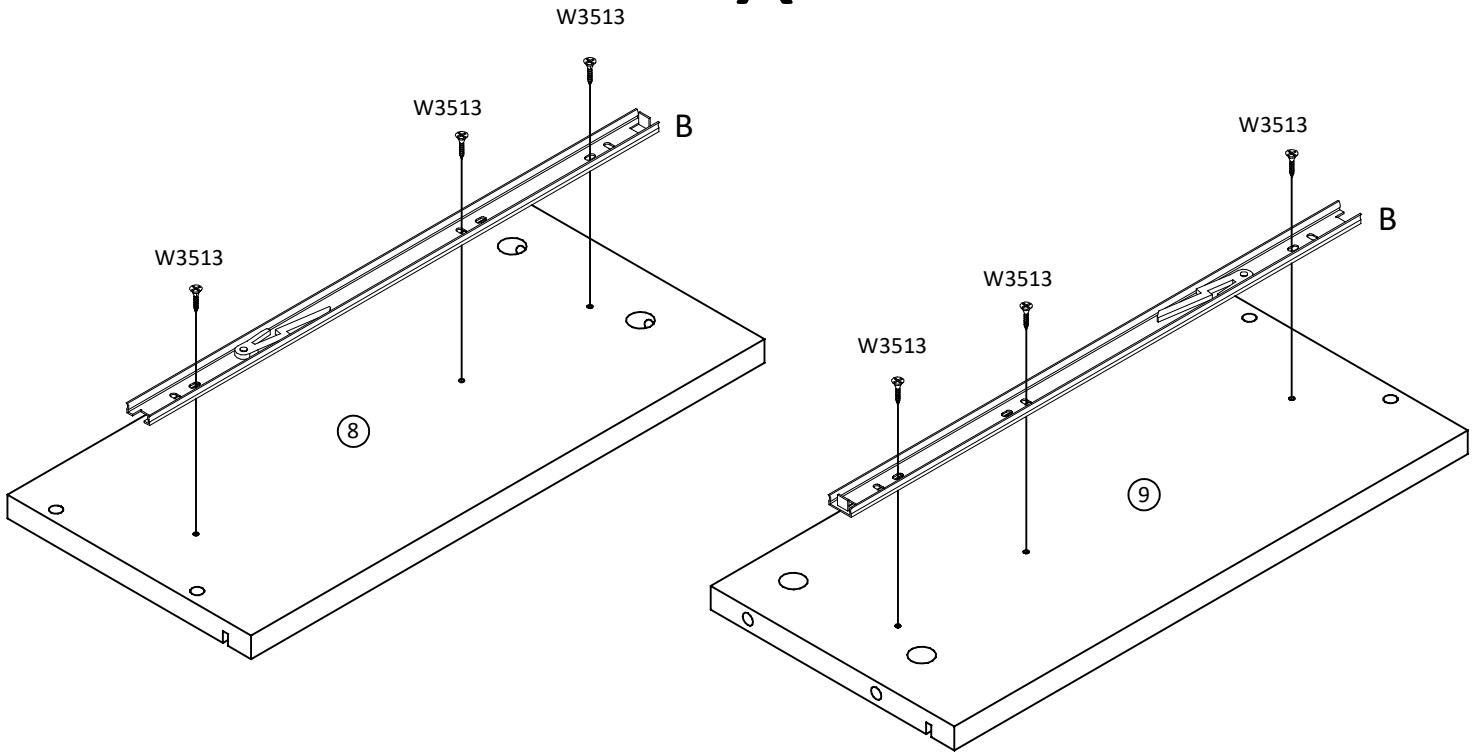
# VIII



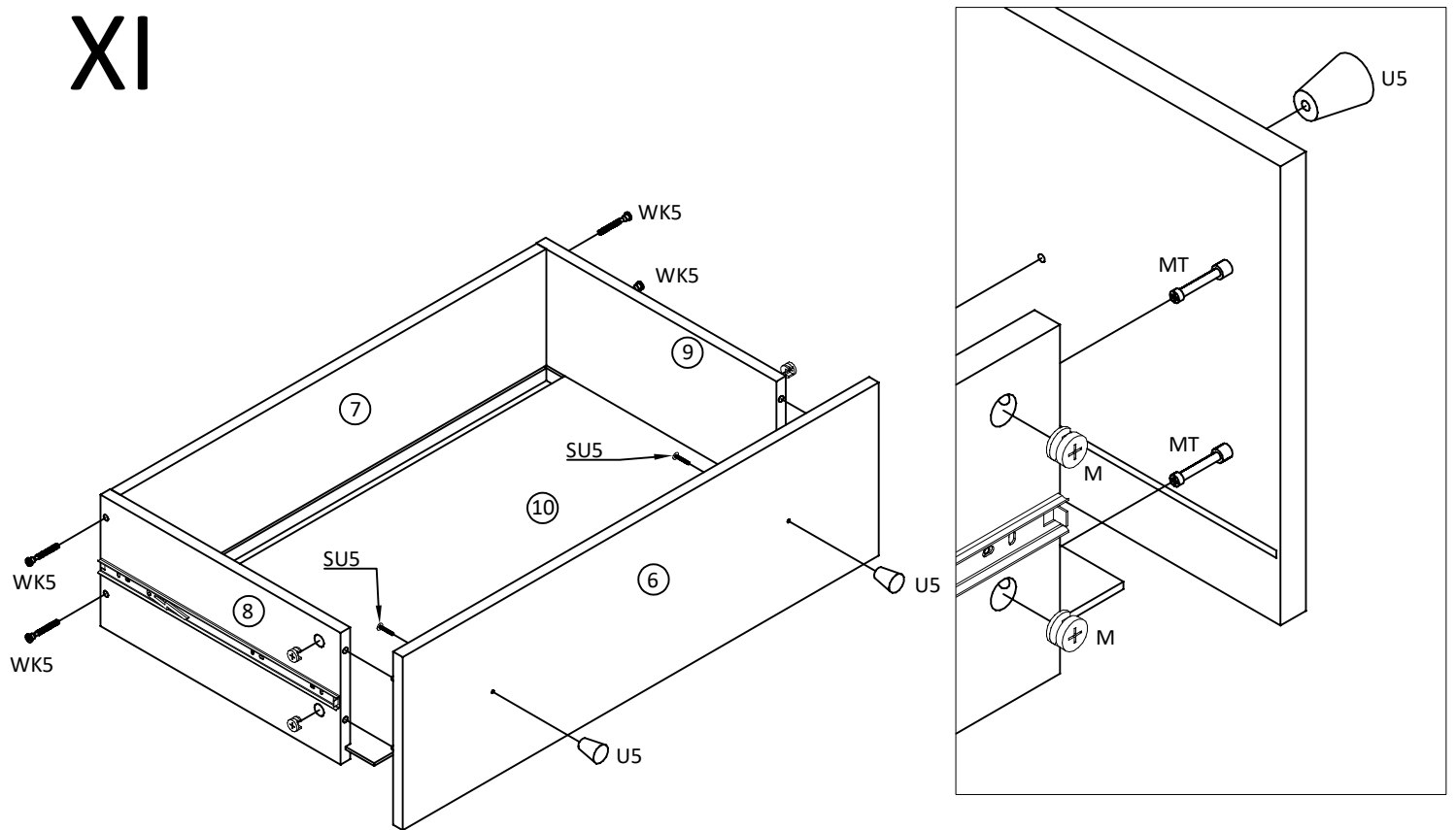
# IX



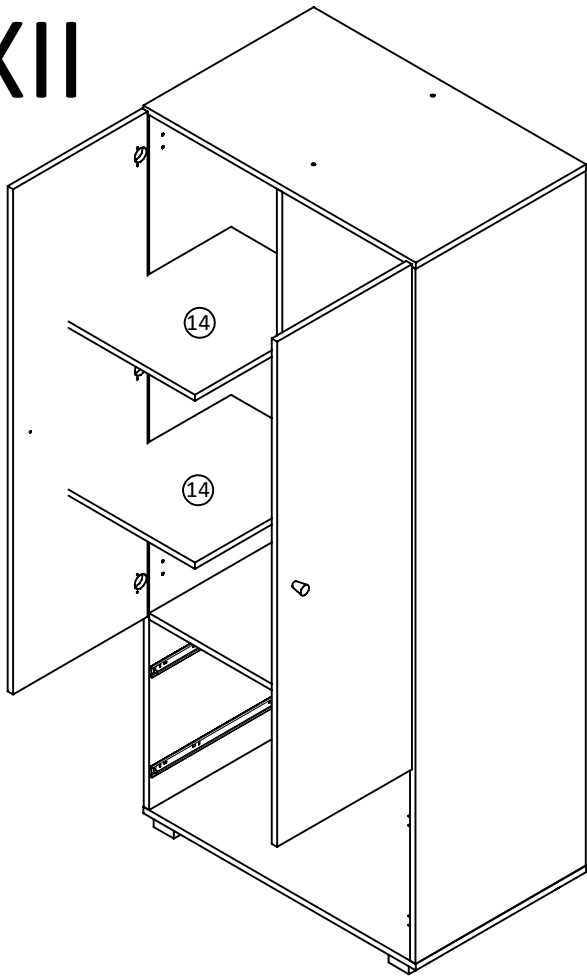
# X



# XI



# XII



# XIII

