


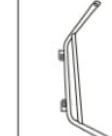





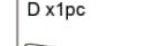


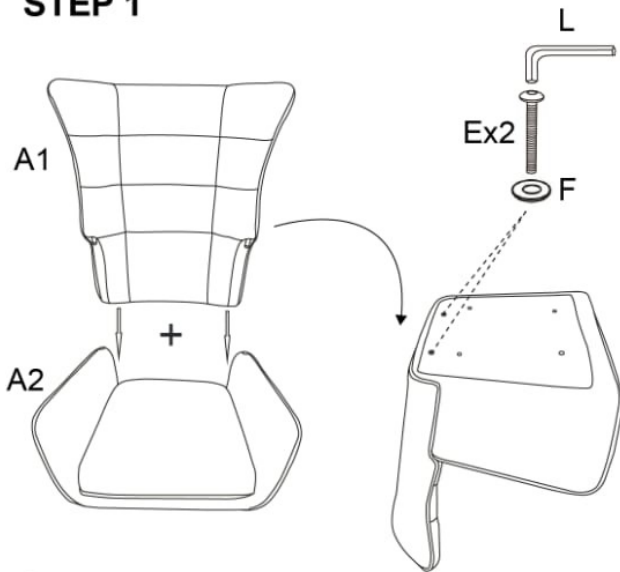


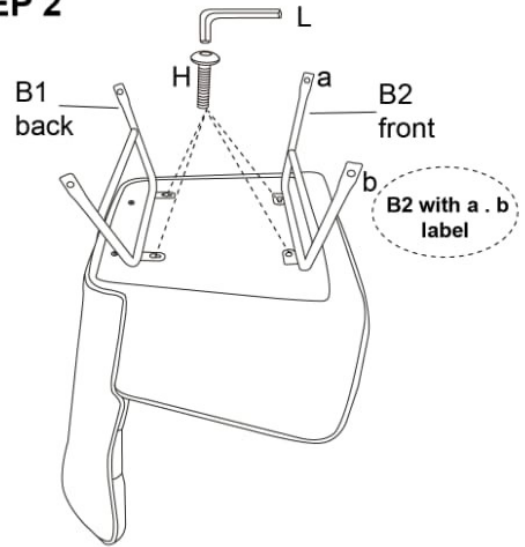
ASSEMBLY INSTRUCTIONS

A1 x1pc 	A2 x1pc 	B1 x1pc 	B2 x1pc 	C x1pc left leg 	E x2pcs M6x40mm 	G x4pcs M8x25mm 	H x4pcs M6x20mm 	L x1pc M6 
			D x1pc right leg 	F x2pcs M8 				J x2pcs 

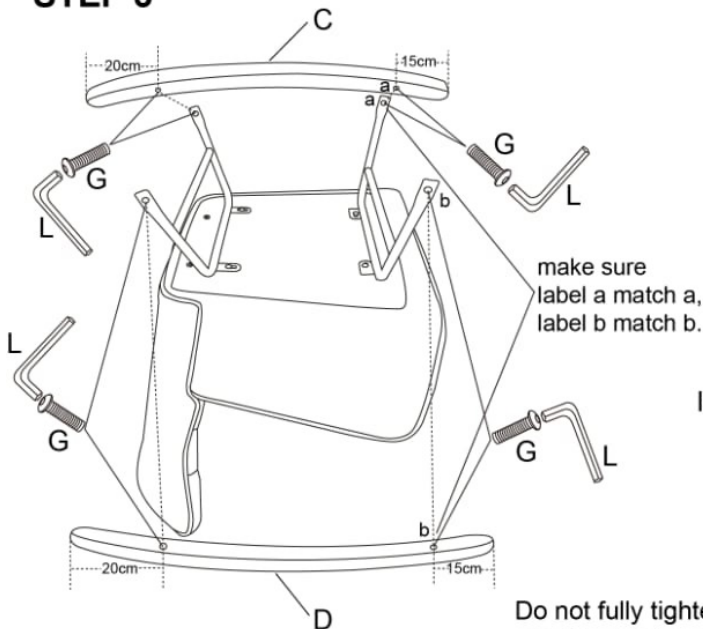
STEP 1



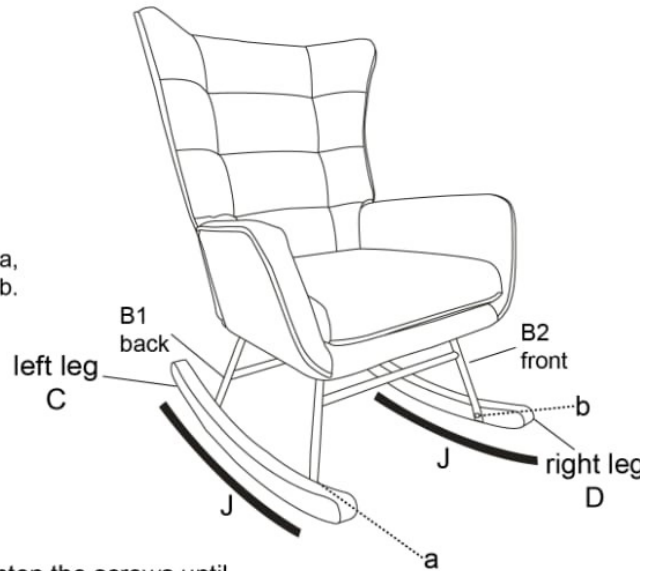
STEP 2



STEP 3



STEP 4



Do not fully tighten the screws until all of them are aligned properly with the holes!

