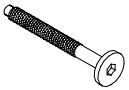
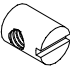

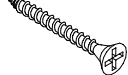
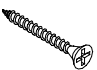
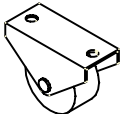
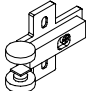


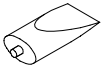

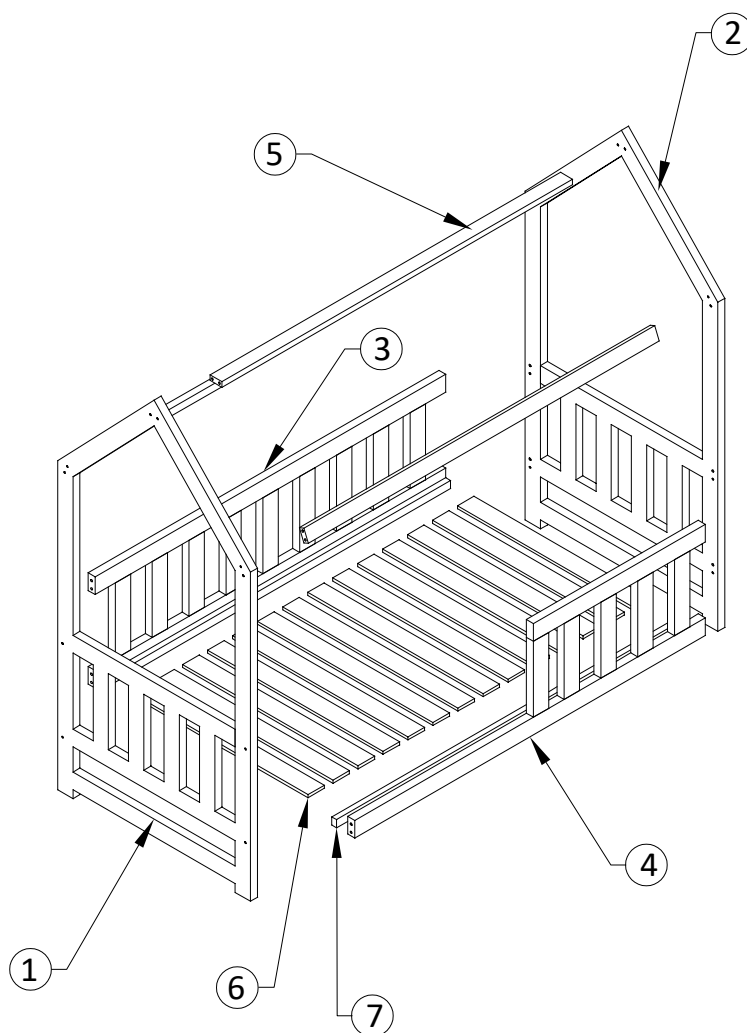
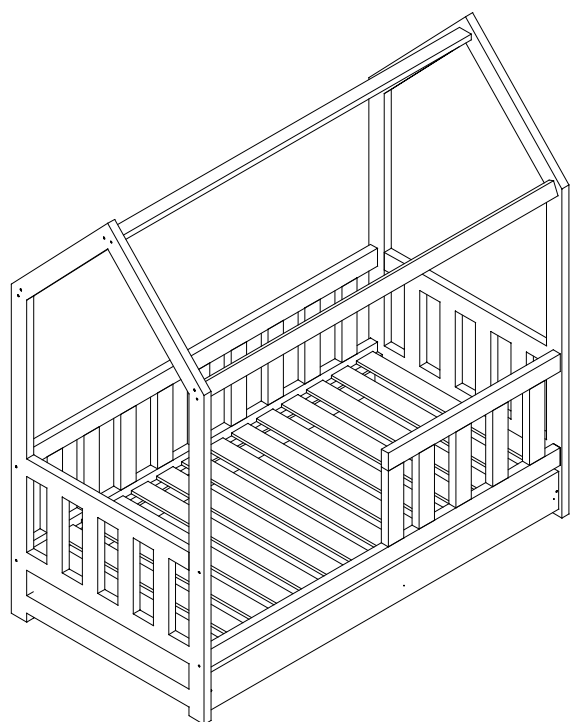
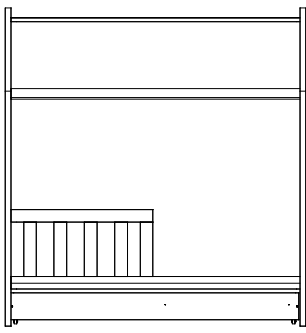
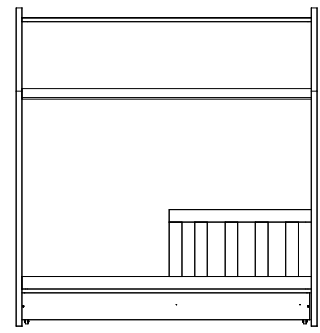
 M6 x 75 S675 x19	 M6 x 50 S650 x4	 NW x23	 8 x 30 D8 x15	 3.5 x 35 W3535 x12
 3.5 x 30 W3530 x8	 A20 x4	 A11 x2	 3.5 x 16 W3516 x4	 A03 x2
 A16 x1		 A01 x1		



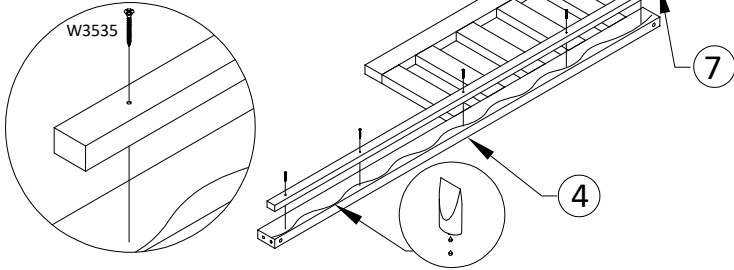
Ia



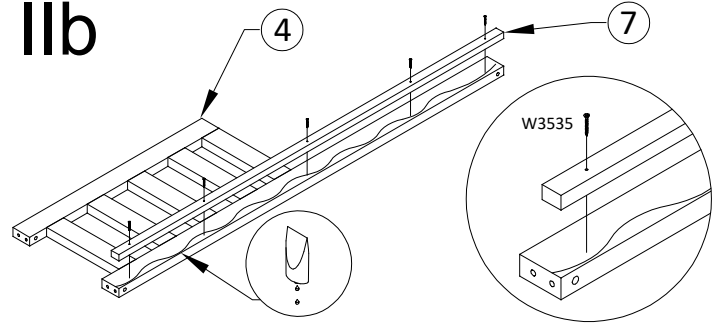
Ib



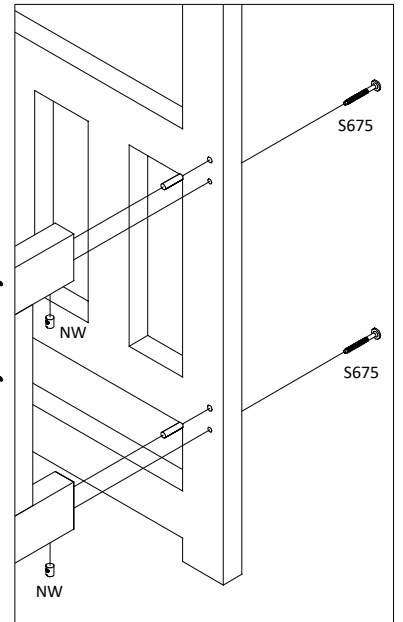
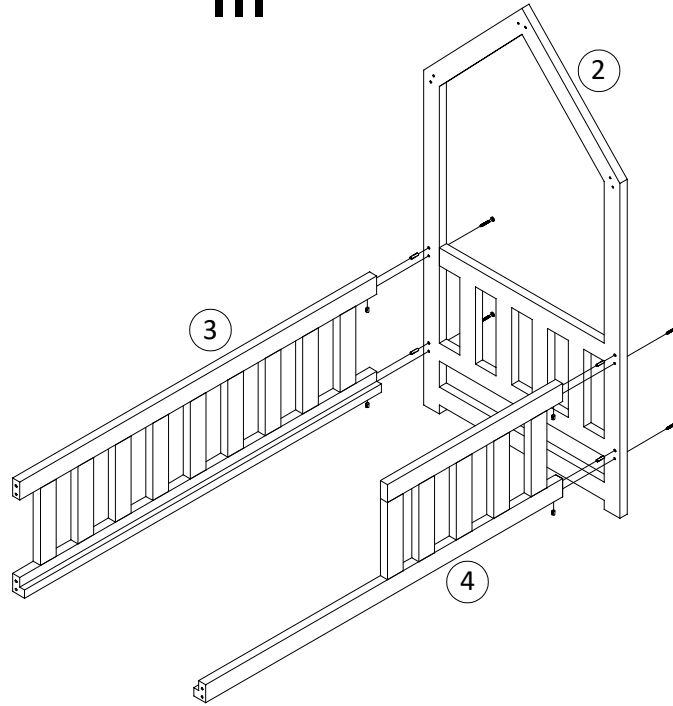
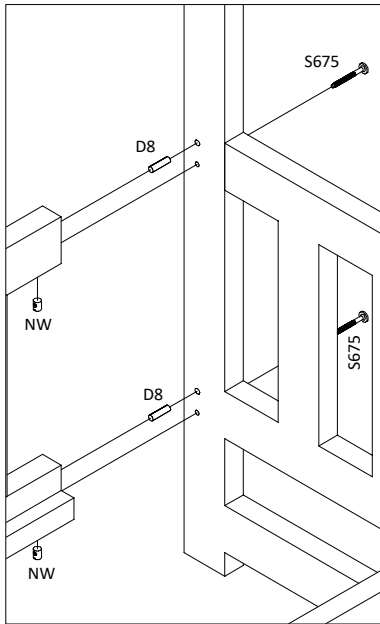
IIa



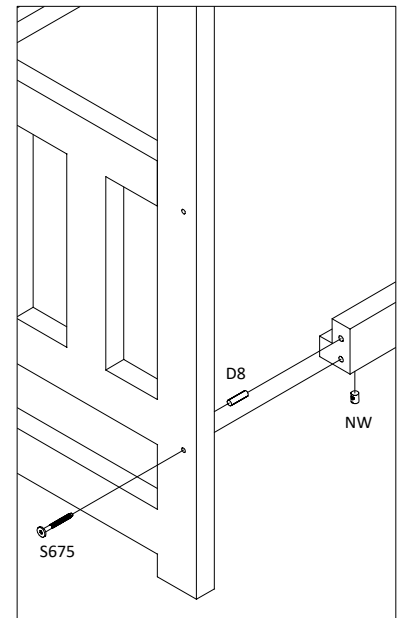
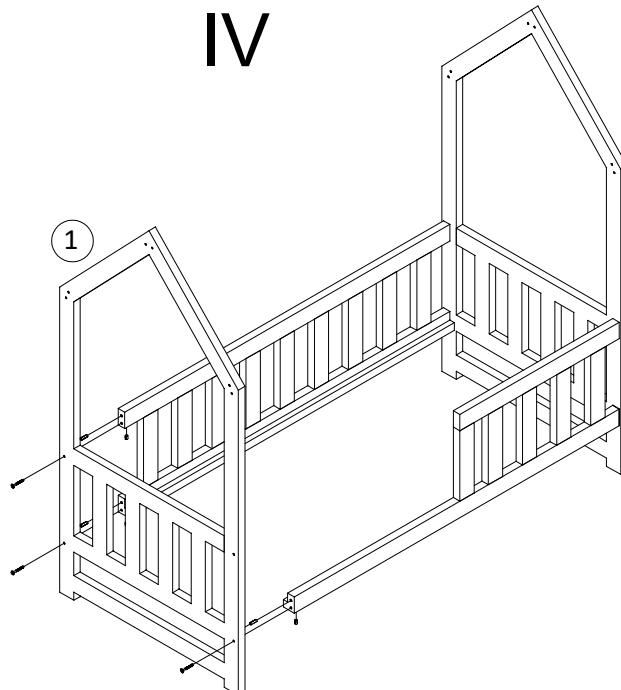
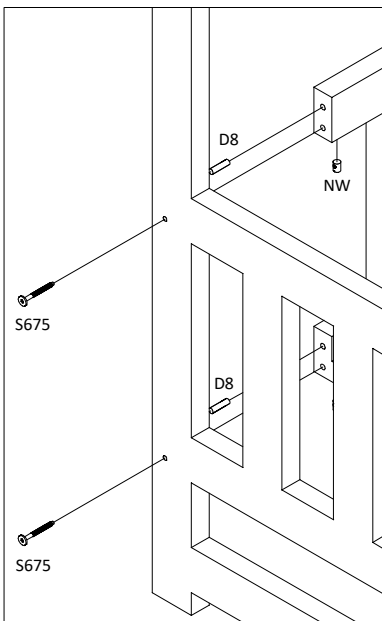
IIb



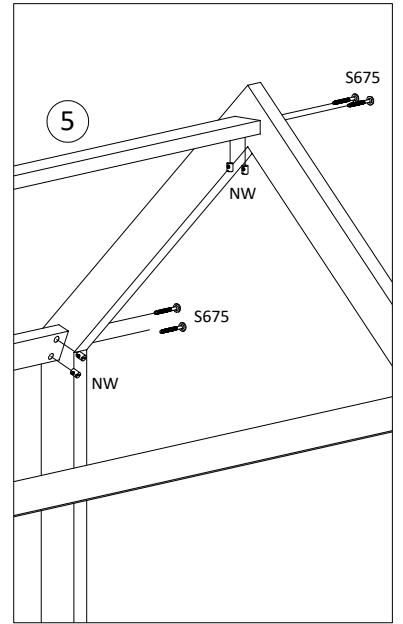
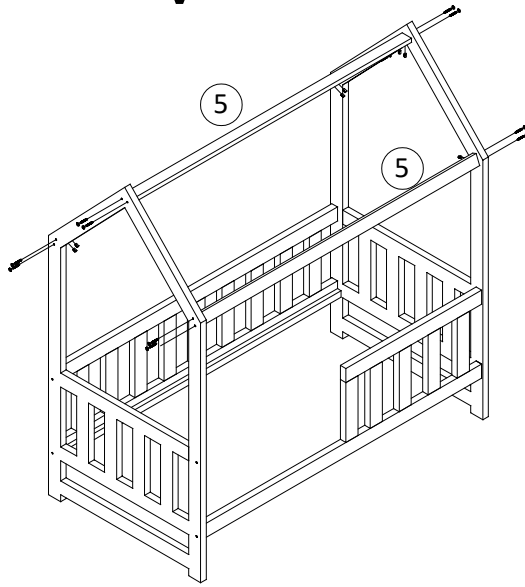
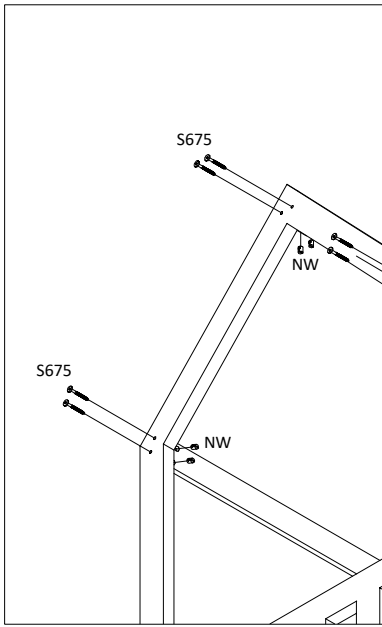
III



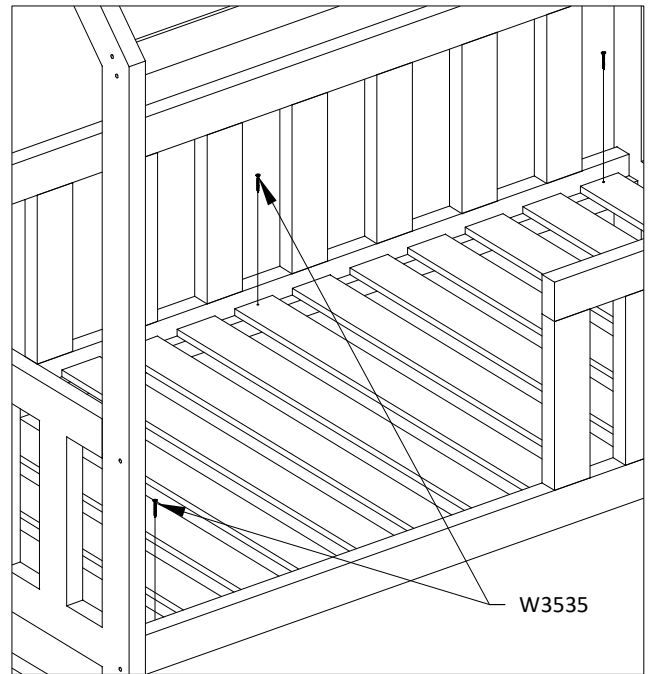
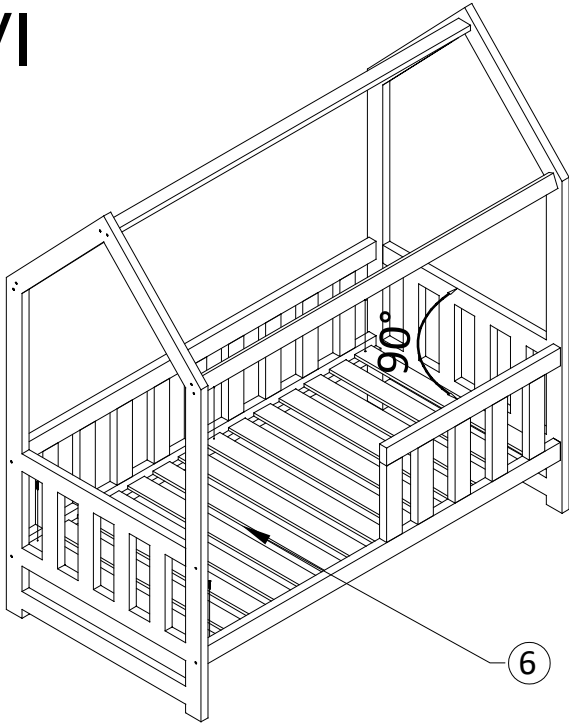
IV



V



VI



VII

