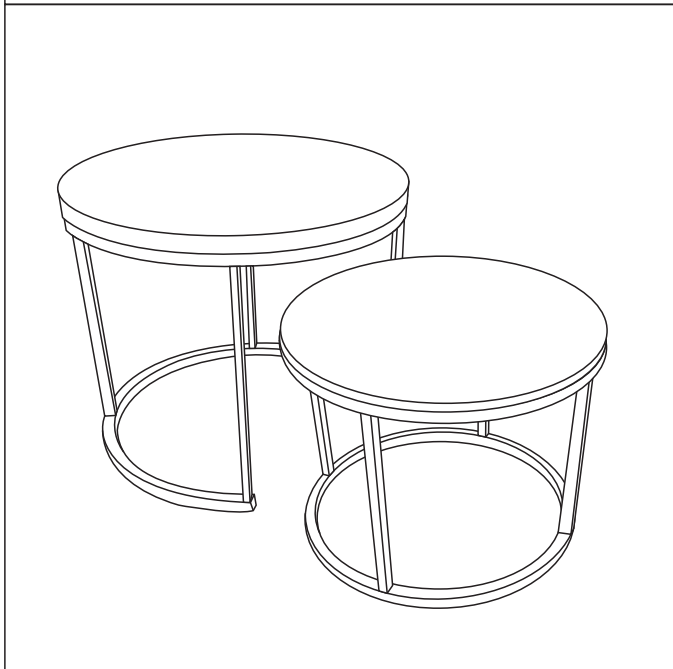
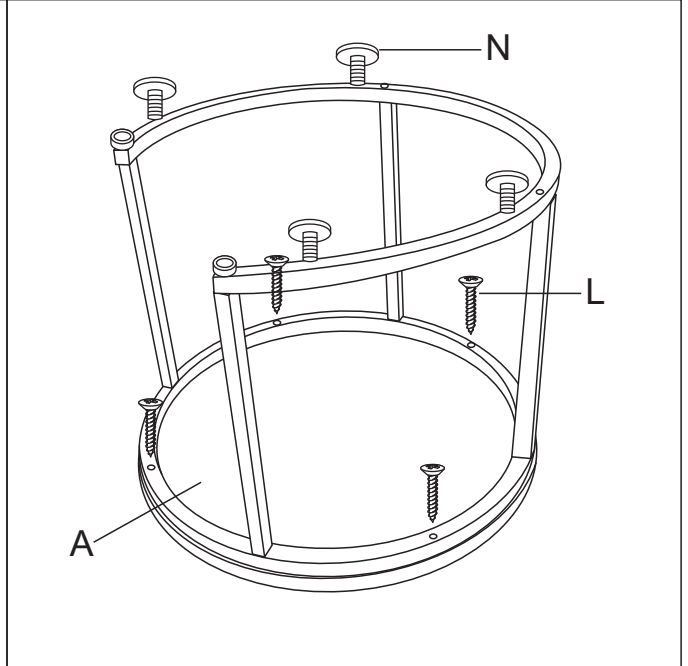
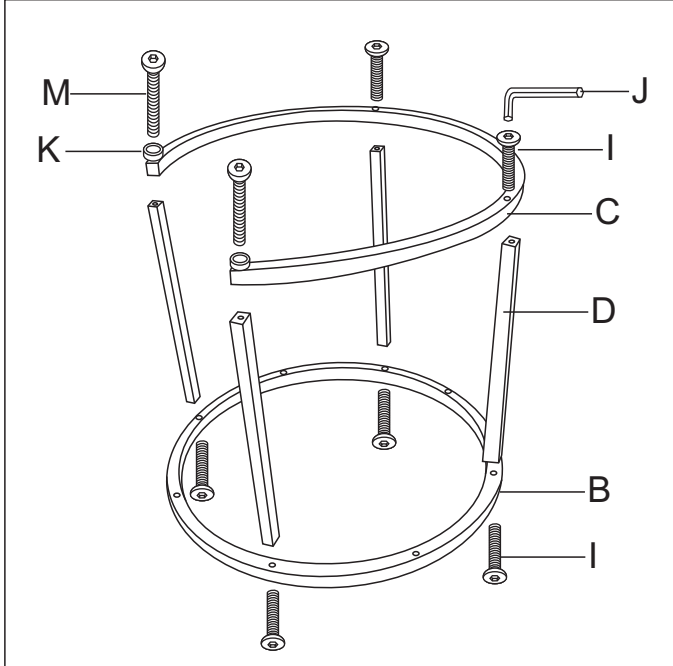
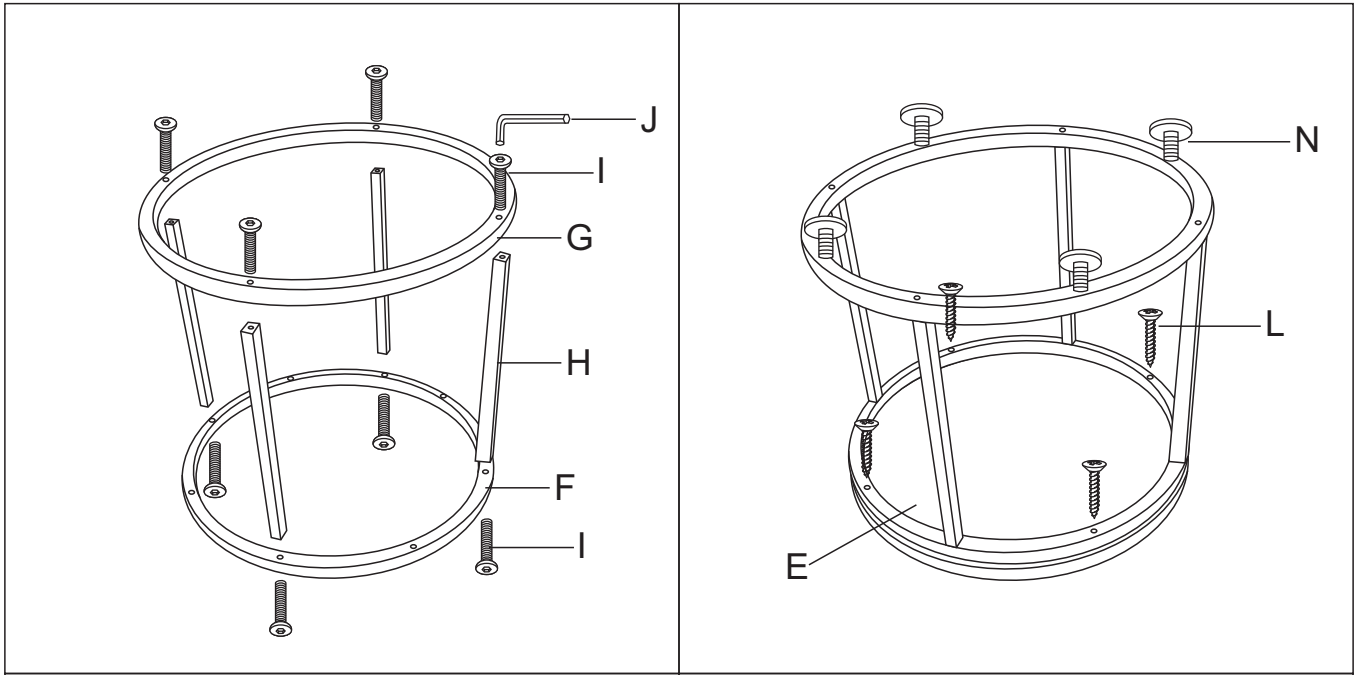


ASSEMBLY INSTRUCTION



Ax1	Bx1	Cx1	Dx3		
Ex1	Fx1	Gx1	Hx3		
Ix14	Jx1	Kx2	Lx8	Mx2	Nx4