

NANDO

F



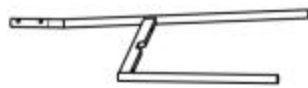
2

G



2

H




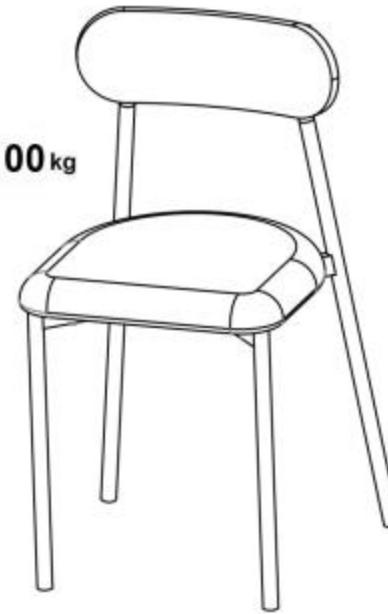
2

I

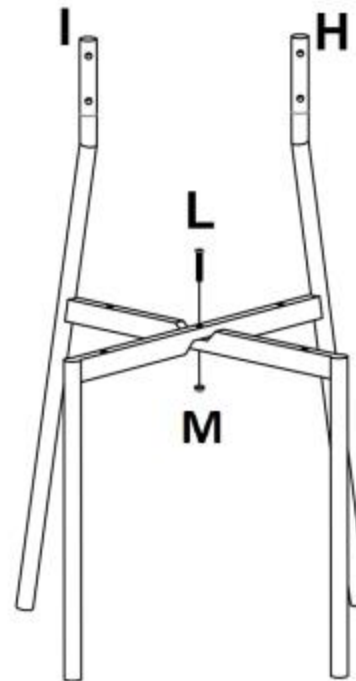


2

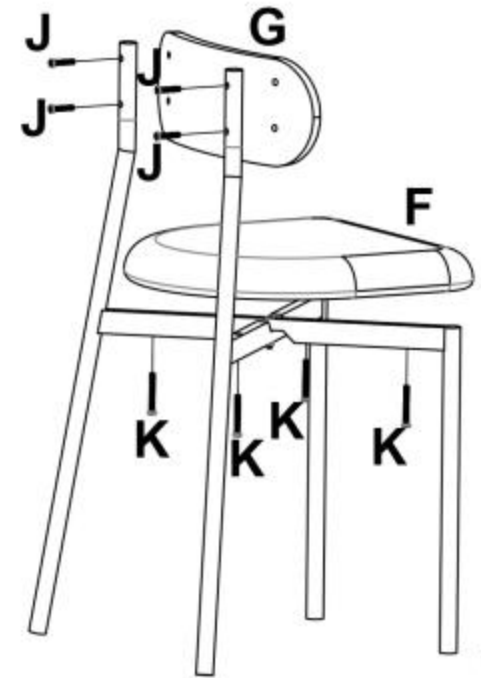
 max. 100 kg



1



2



J



M6X30

8

K



M6X45

8

L



M6X40

2

M



M6

2



1

X2

X2

2
NOWOŚĆ