









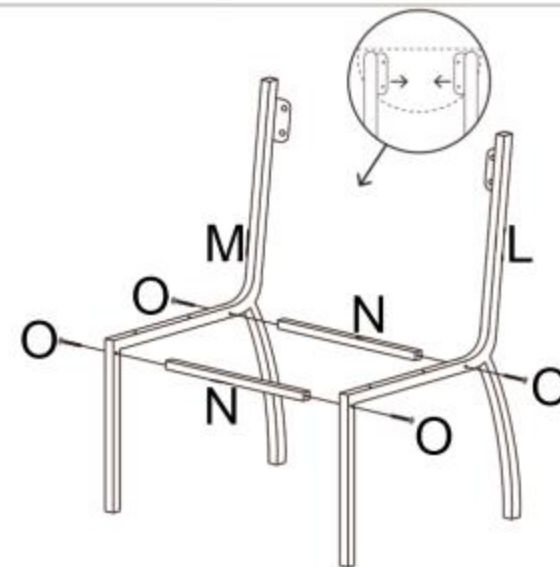
J		4
K		4
L		4
M		4
N		8
O	 6x45mm	16
P	 6x35mm	16
Q	 4x12mm	16

MILTON

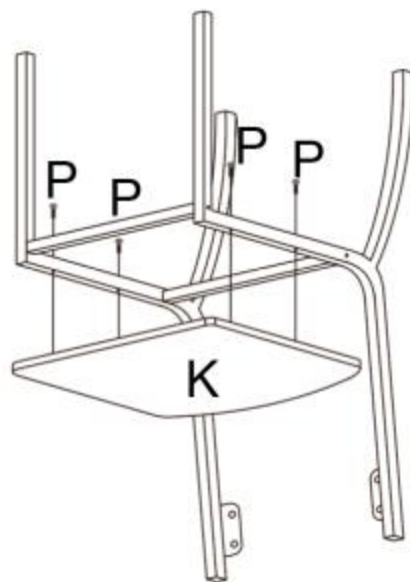
 max. 100 kg



1



2



3

