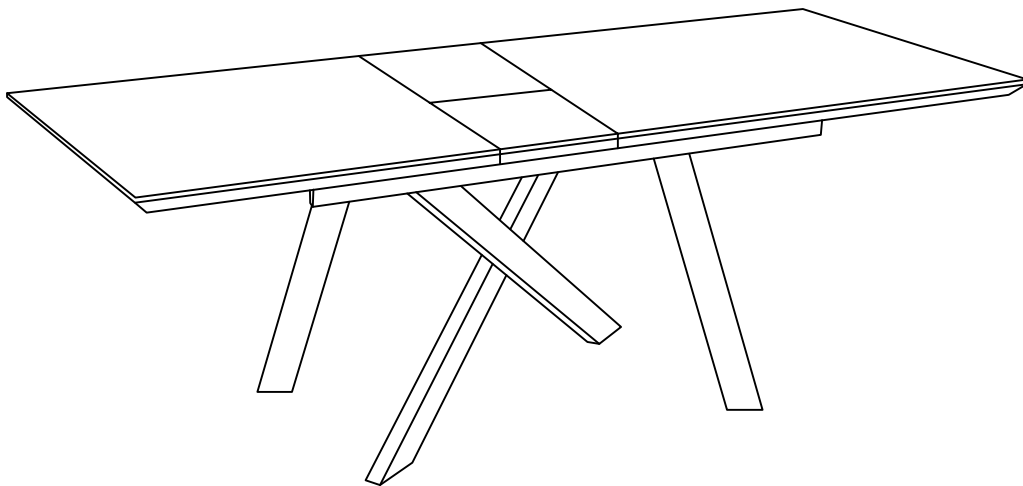
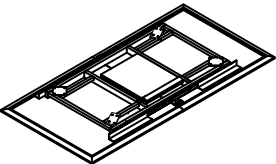


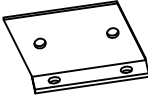

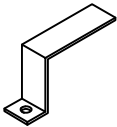
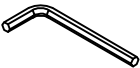

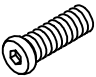


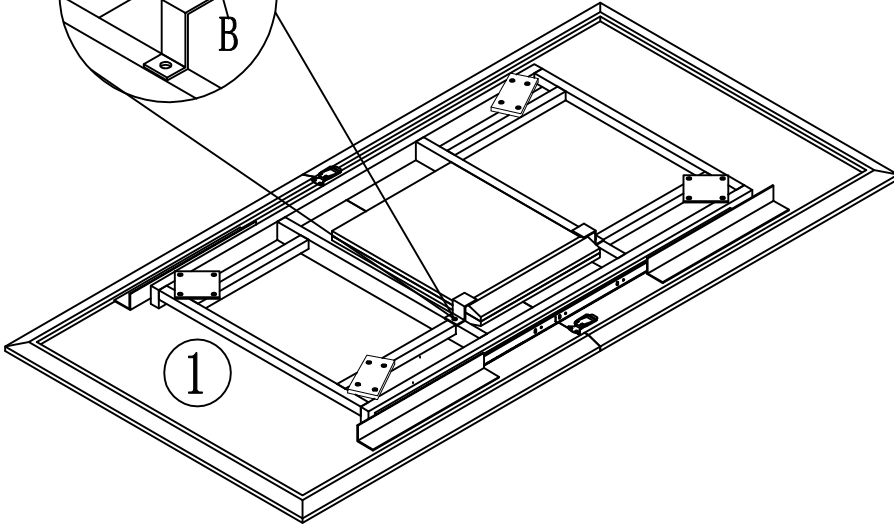
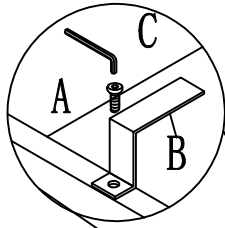
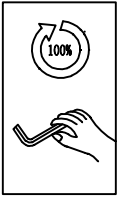


ASSEMBLY INSTRUCTION

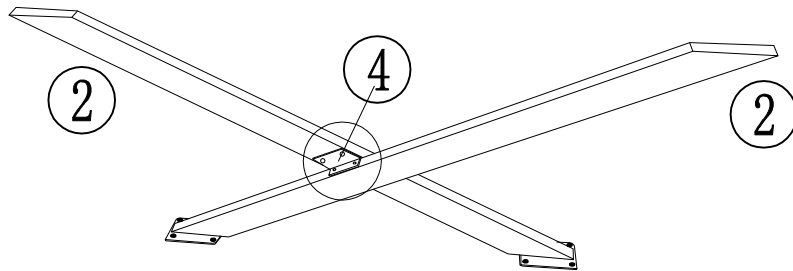
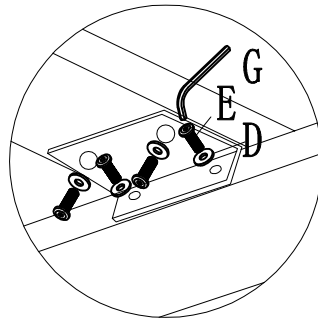
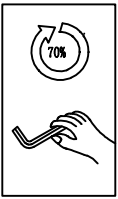


 <p>① x1</p>	 <p>② x2</p>	 <p>③ x2</p>	 <p>④ x1</p>				
<p>A (M6x16mm) x2</p> 	<p>B x2</p> 	<p>C (M4) x1</p> 	<p>D (M8x16) x20</p> 	<p>E (M8x20mm) x20</p> 	<p>F (M8x14mm) x4</p> 	<p>G (M5) x1</p> 	
							<p>1/4</p>

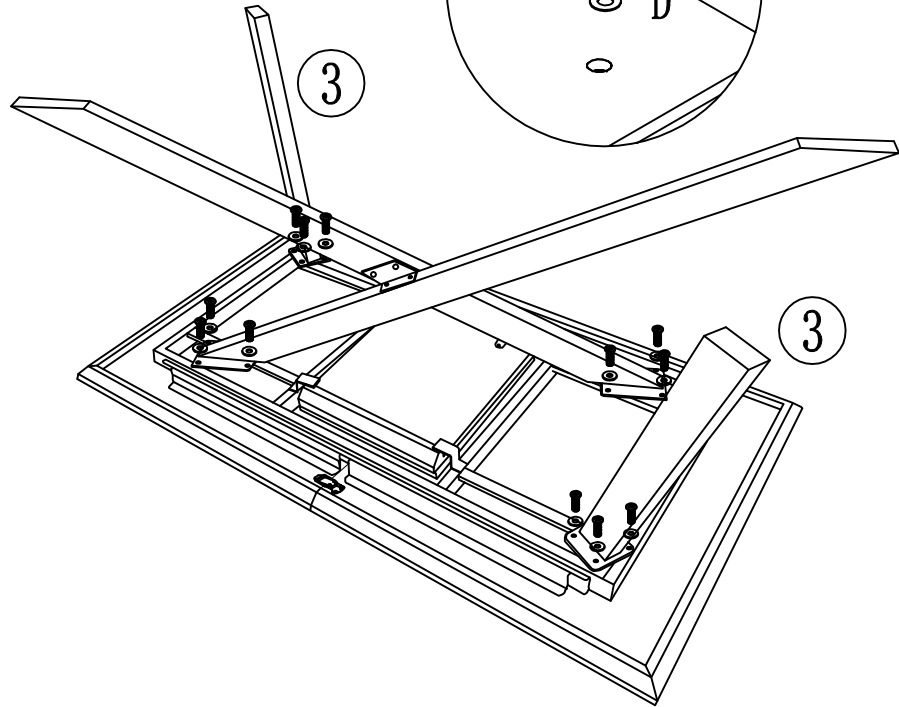
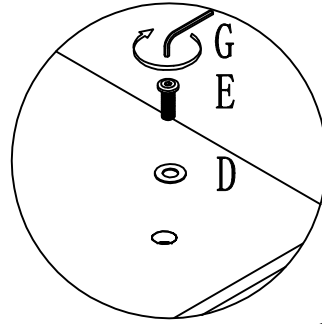
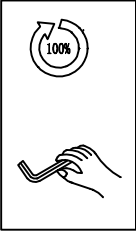
1



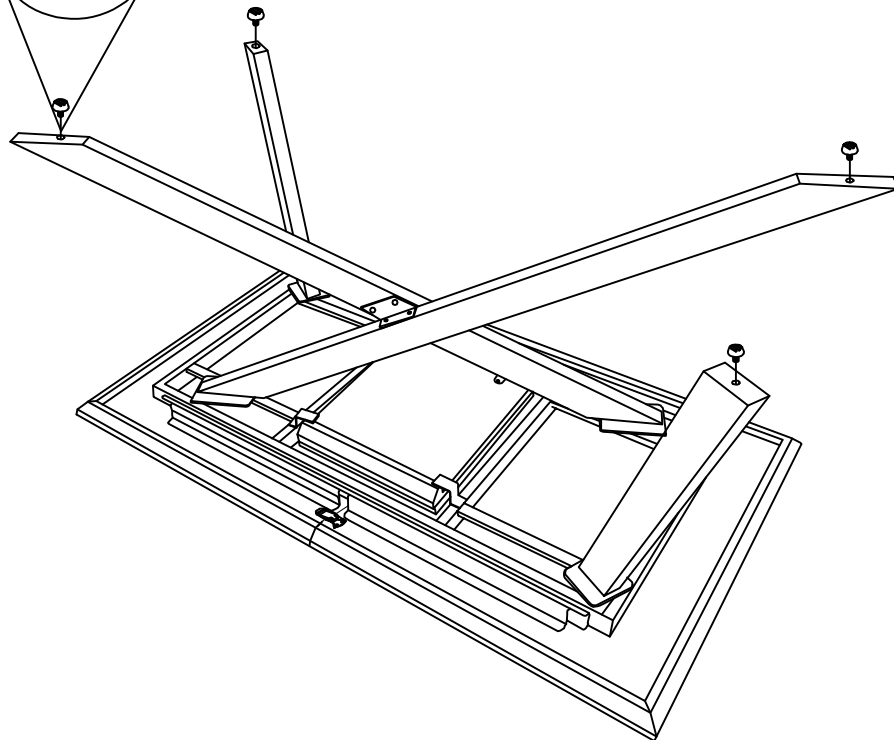
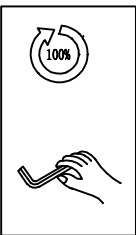
2



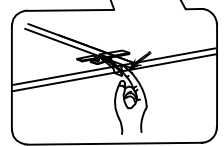
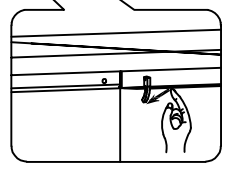
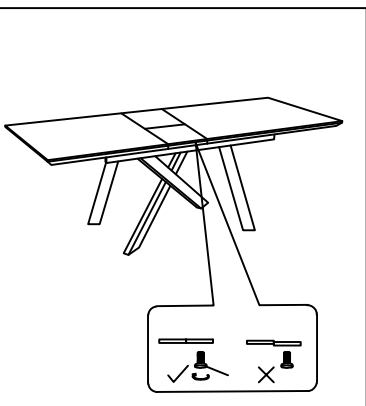
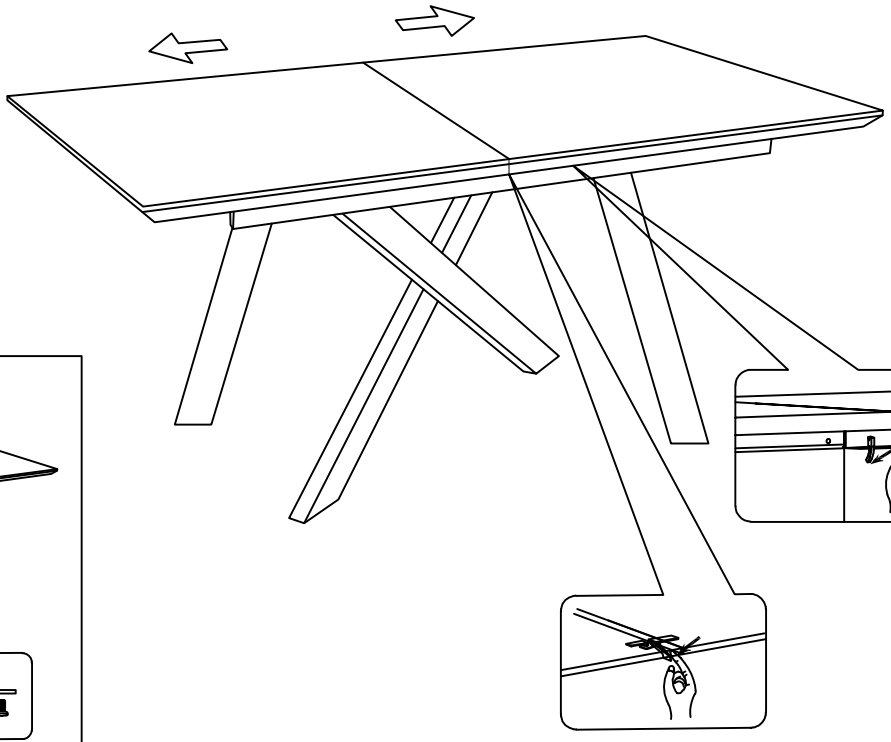
3



4



5



6

