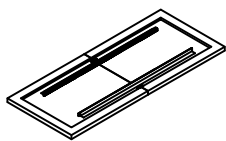
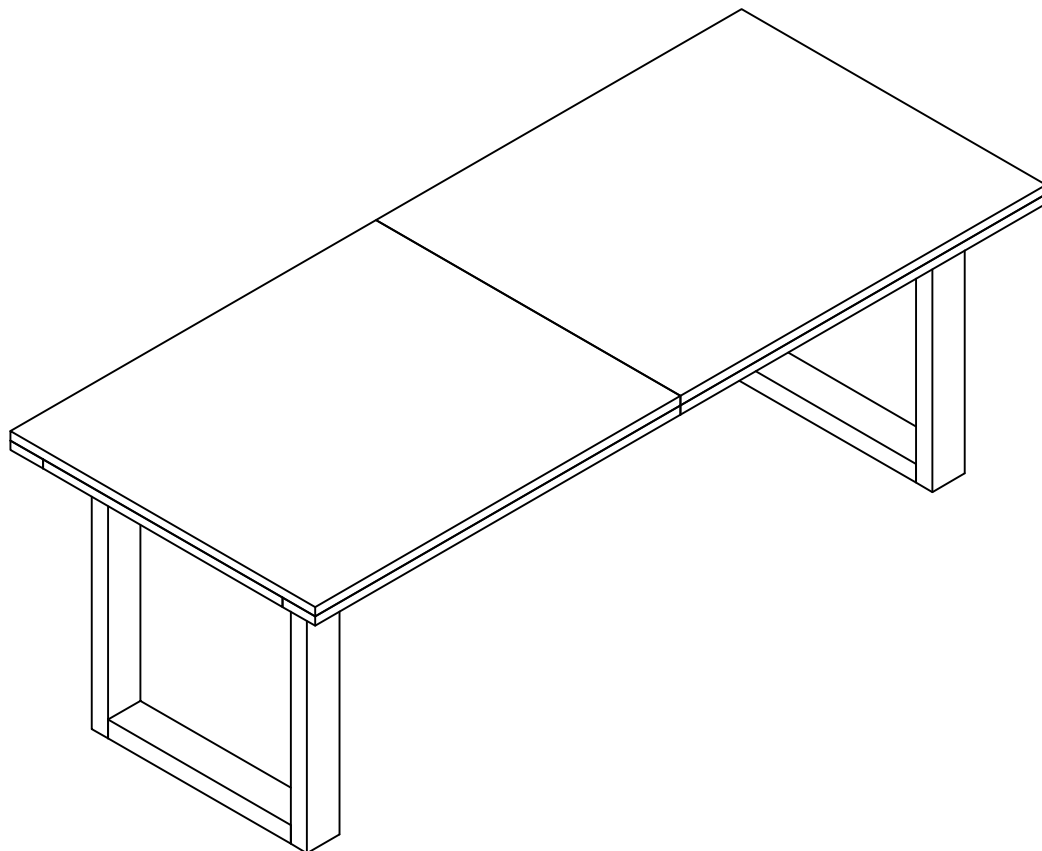
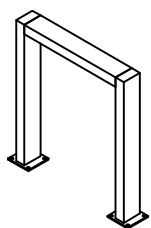


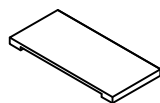
ASSEMBLY INSTRUCTION



① x1



② x2

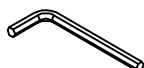


③ x2

A (M8) x16



B (M5) x1



C (M8) x16



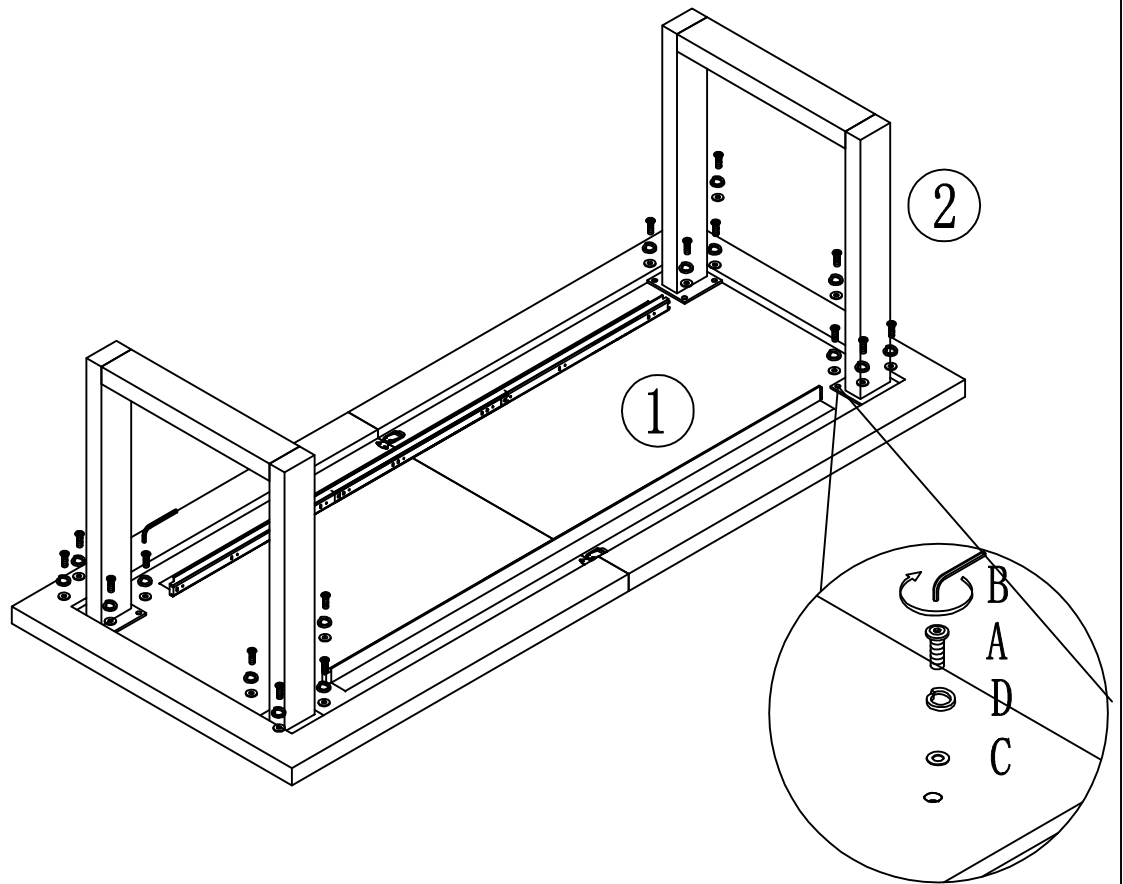
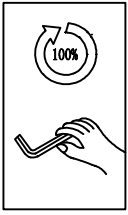
D (M8) x16



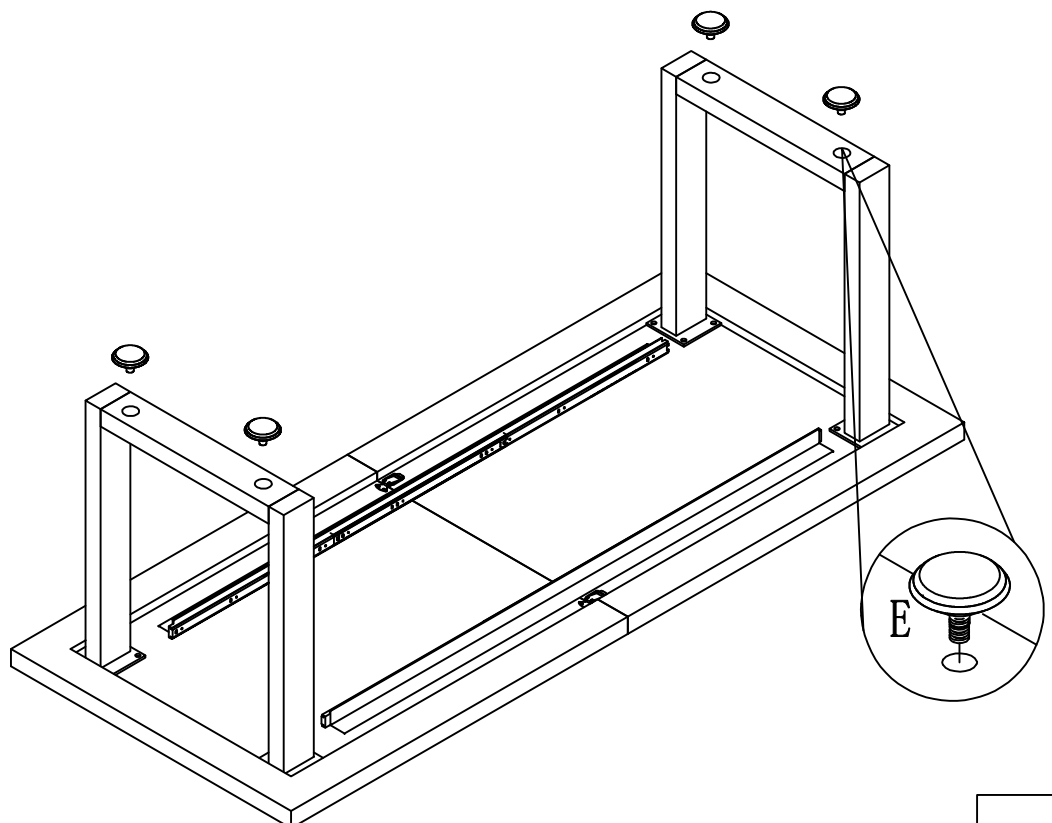
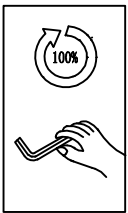
E X4



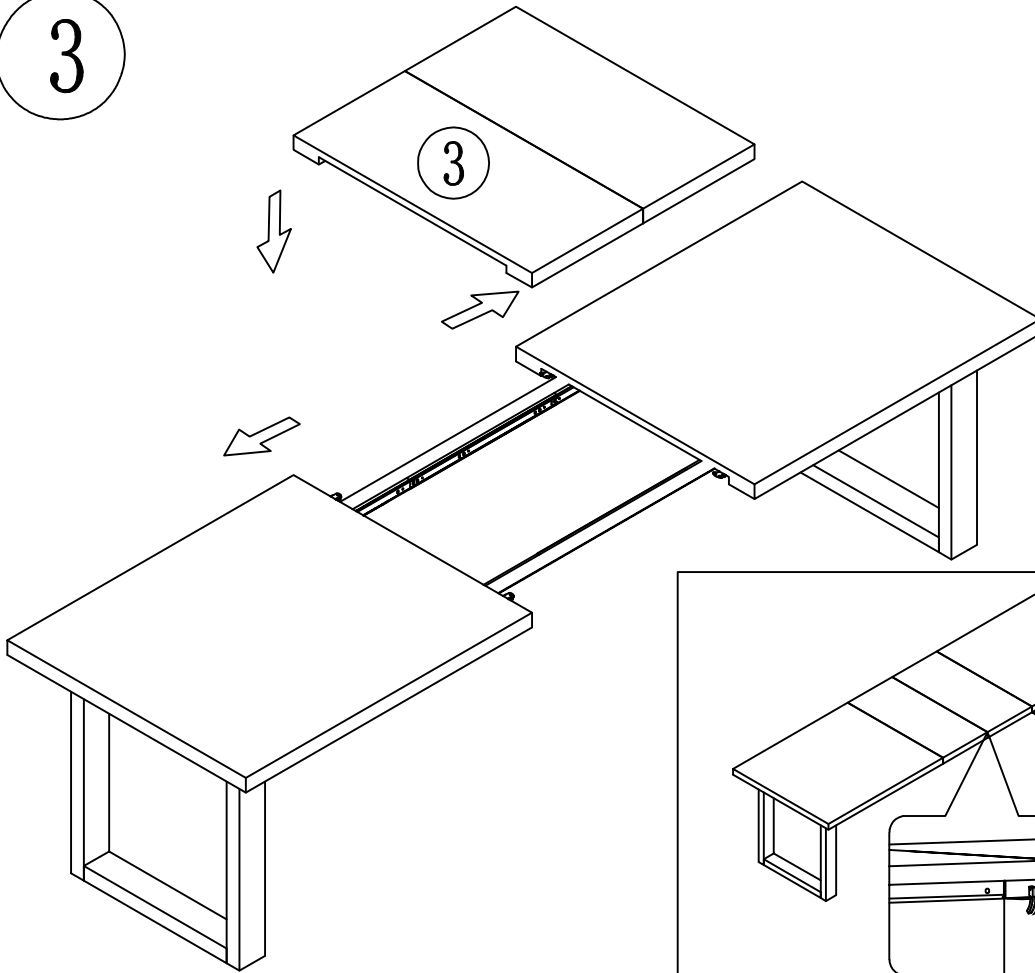
1



2



3



4

