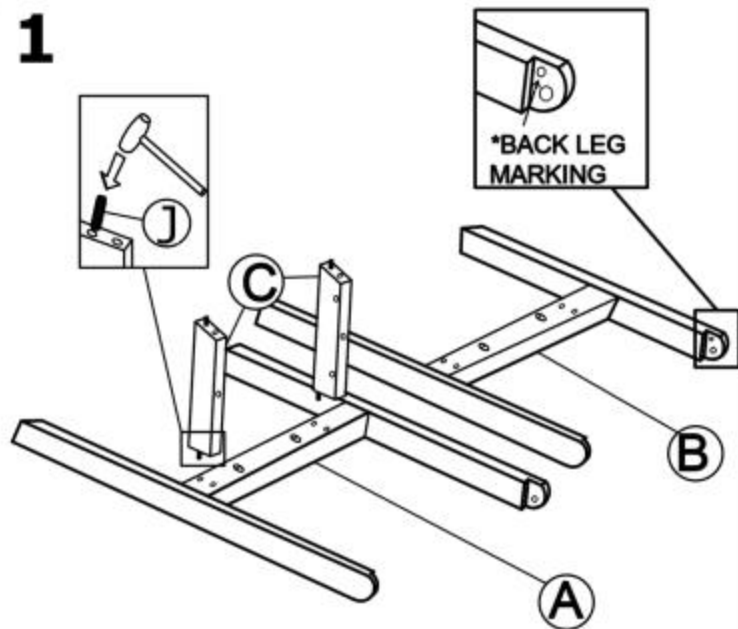
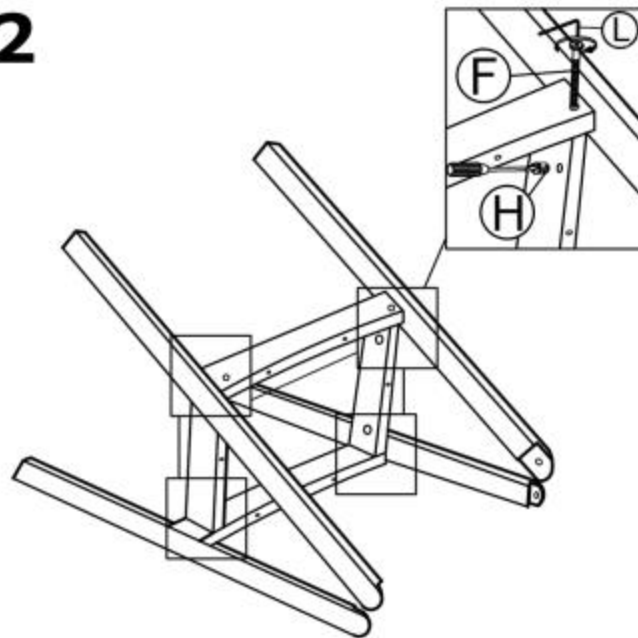


# K562

1



2

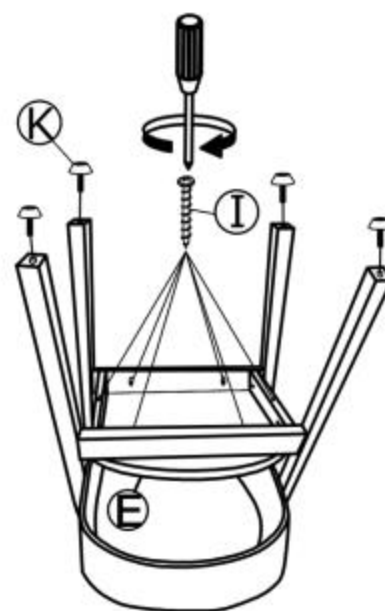



A	FRONT LEG	1
B	BACK LEG	1
C	SIDE STRECHER	2
D	BACK REST	1
E	CHAIR SEAT	1
F	JCBC SCREW M6 X 80MM (BLK)	4
G	JCBB SCREW M6 X 20MM (BLK)	4
H	BARREL NUT 6 X 13MM	4
I	PH M5 x 32MM (BLK)	6
J	WOOD DOWEL 10 X 30MM	4
K	ADJUSTABLE SCREW 6 X 16MM	4
L	ALLEN KEY M4 (BALL SHAPE)	1

3



4



 max. 100 kg



HALMAR Sp. z o.o.

ul. Centralnego Okręgu Przemysłowego 2, 37-450 Stalowa Wola, POLSKA / POLAND  
tel. +48 15 843 28 10, fax: +48 15 842 19 57, e-mail: office@halmar.com.pl

v.1

NOWOŚĆ