









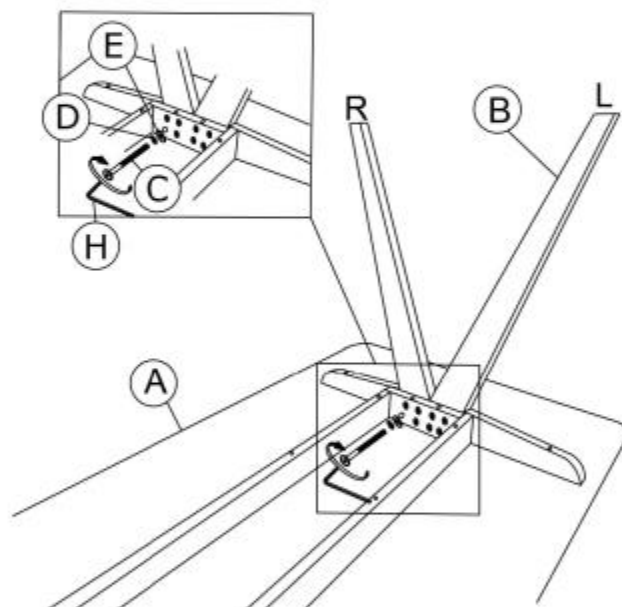


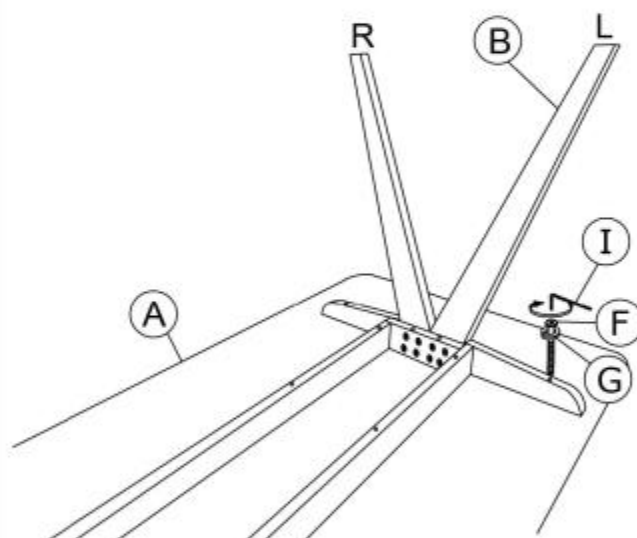
# MIGUEL

A	TABLE TOP		1
BL	TABLE LEG		2
BR	TABLE LEG		2
C	JCBB BOLT M8 X 50MM (BLK)		16
D	SPRING WASHER 3/8" (BLK)		16
E	FLAT WASHER 5/16" (BLK)		16
F	JCBC BOLT M6 X 50MM (RB)		4
G	SPRING WASHER 5/16" (RB)		4
H	ALLEN KEY M5		1
I	ALLEN KEY M4 (BALL SHAPE)		1

## 1



## 2



## 3

