

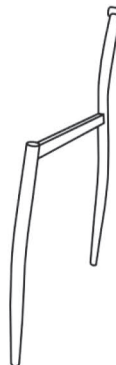
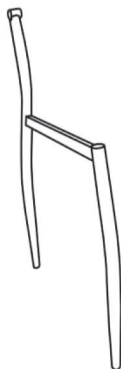
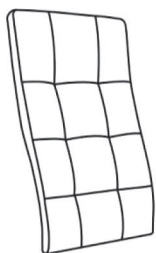
1

2

3

4

5



1	1x
2	1x
3	1x
4	1x
5	1x

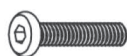
A



M4x40mm

4x

B



M6x25mm

6x

C



Φ18xΦ6x1.5

8x

D



M5

1x

E



2x

F



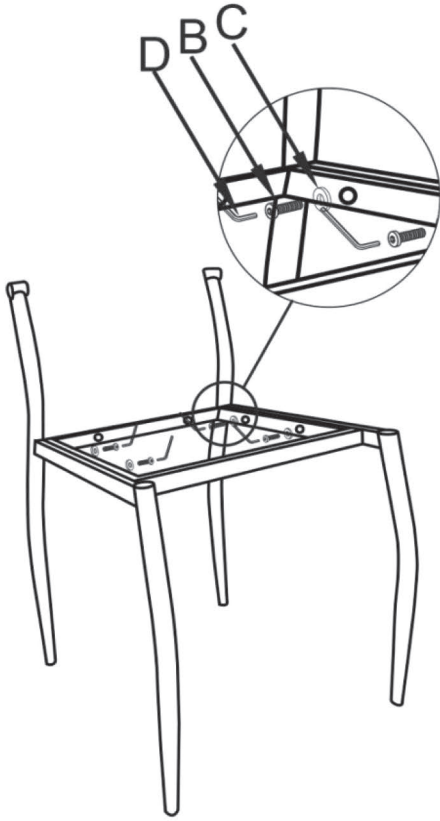
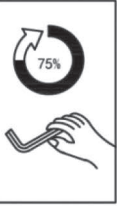
M6x35mm

2x

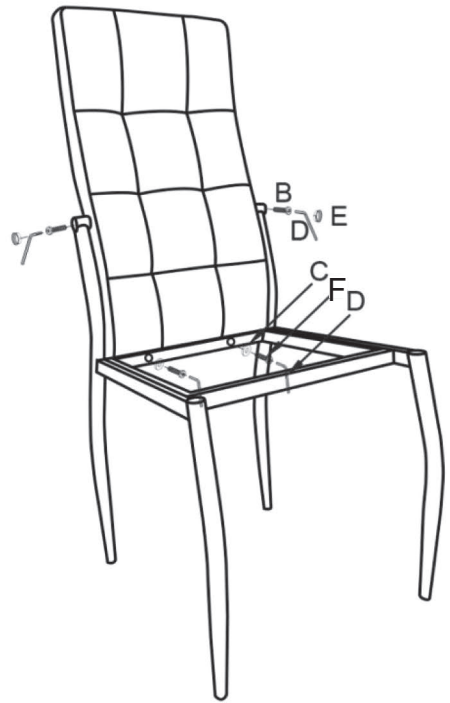
G

H

1



2



3

