
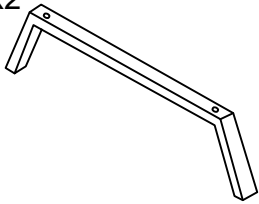
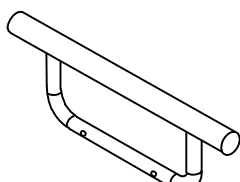
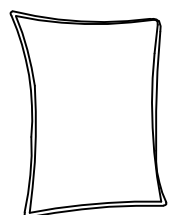
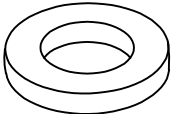
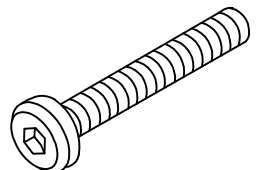
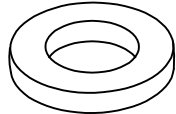
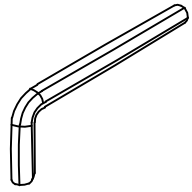
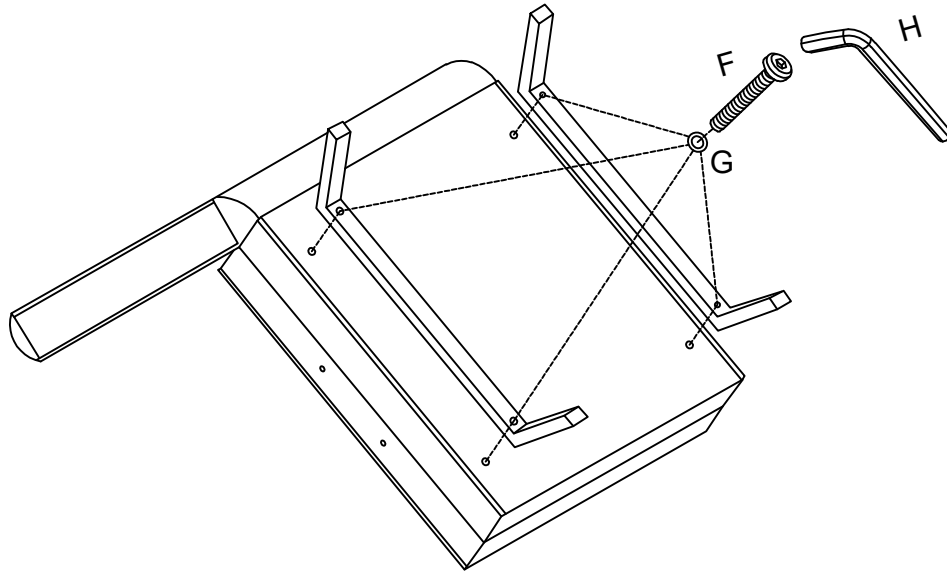


# Assembly Instruction

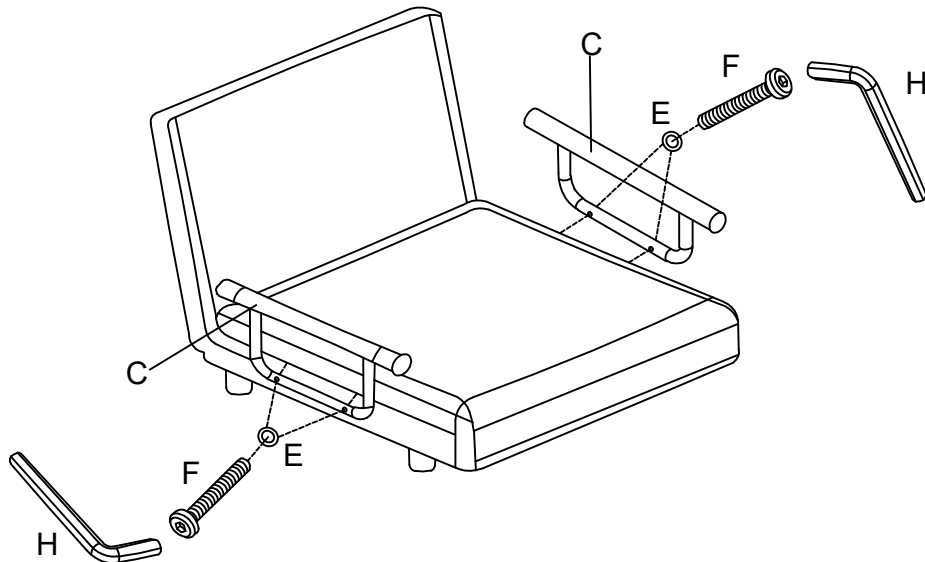
## PART LIST

|  |  |  |   |
|--|--|--|---|
| Ax1<br><br>cushion         | Bx2<br><br>Sofa foot    | Cx2<br><br>Armrest       | Dx1<br>              |
| Ex4<br><br>Armrest gasket | Fx8<br><br>M8*40mmscrew | Gx4<br><br>sofa foot pad | Hx1<br><br>Allen Key |

### Step 1

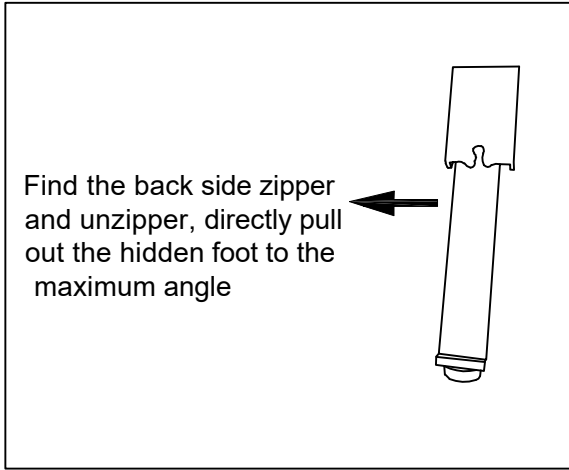


### Step 2

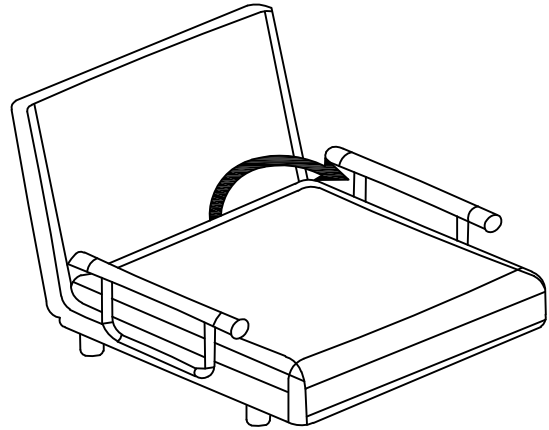


Step 3

Pull out the support feet

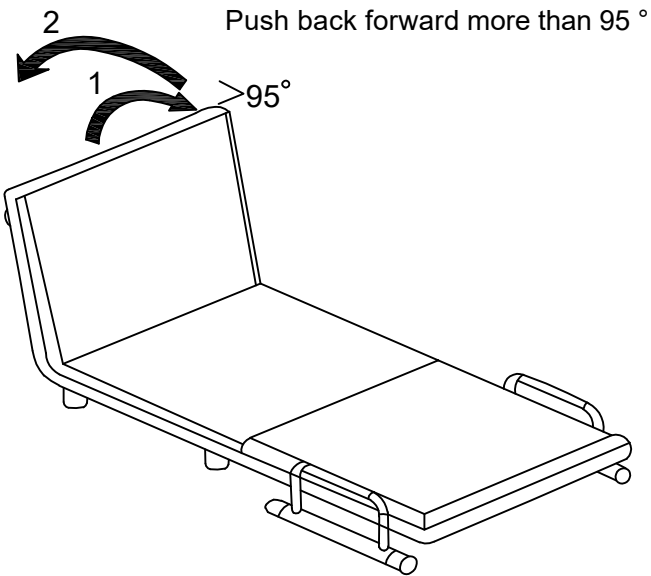


Step 4

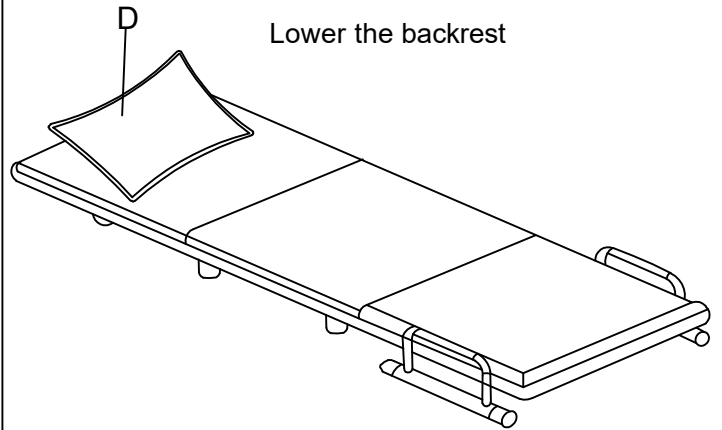


Flip the seat over 180 ° and lay it flat

Step 5



Step 6

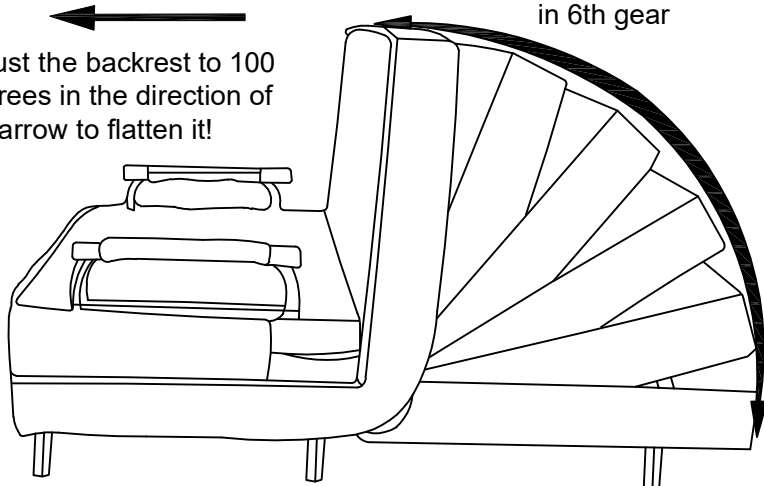


Step 3

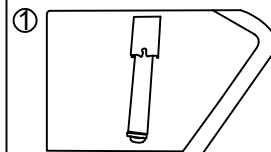
When adjusting to a gear, a "click" sound will sound. If you need to use it at that angle, release your hand to fix it in that gear.

0-90 degrees, adjustable in 6th gear

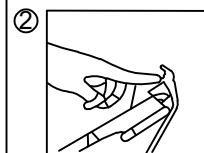
Adjust the backrest to 100 degrees in the direction of the arrow to flatten it!



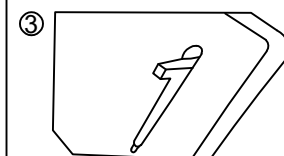
Use of backrest hidden support feet



Find the back side zipper, open the zipper, and directly pull out the hidden feet to a large angle.



As shown in the picture: Press the button with one hand and gently press the foot with the other hand to fully lower and retract the foot.



After retracting the feet, pull up the zipper of the jacket.