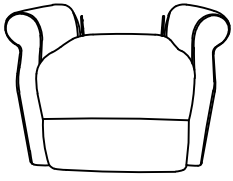


ASSEMBLY INSTRUCTIONS

A*1



seat

B*1



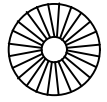
back

C*4



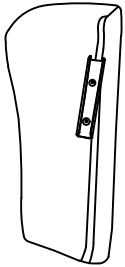
foot

D*4



gasket

E*1



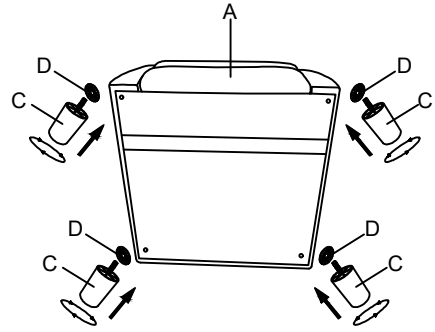
left back ear

F*1

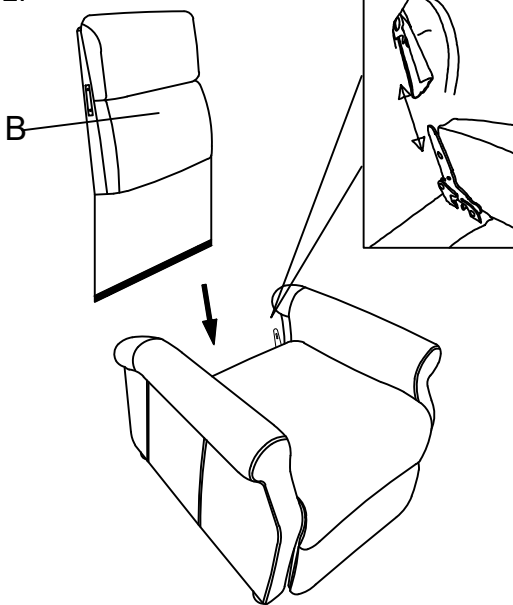


right back ear

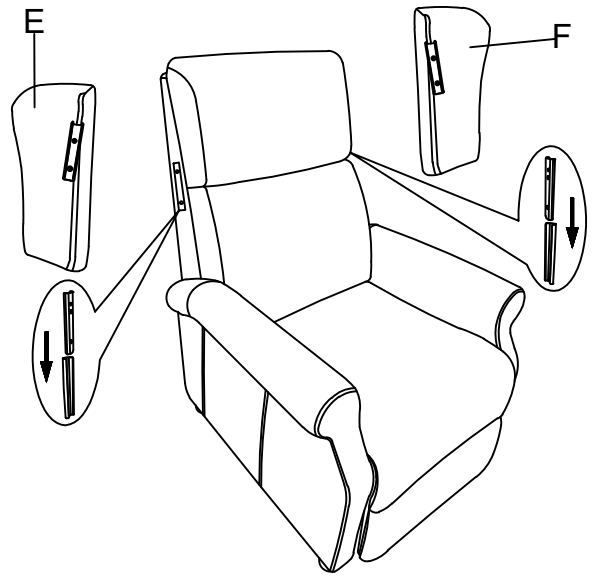
STEP 1:



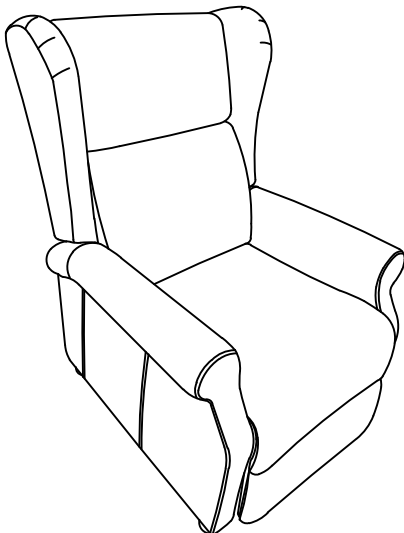
STEP 2:



STEP 3:



STEP 4:



STEP 5:

