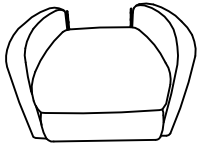
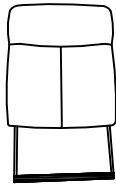


ASSEMBLY INSTRUCTIONS

A*1



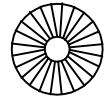
B*1



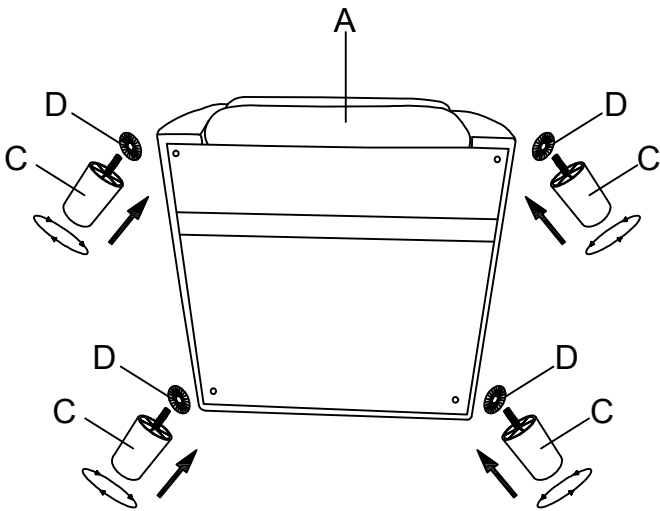
C*4



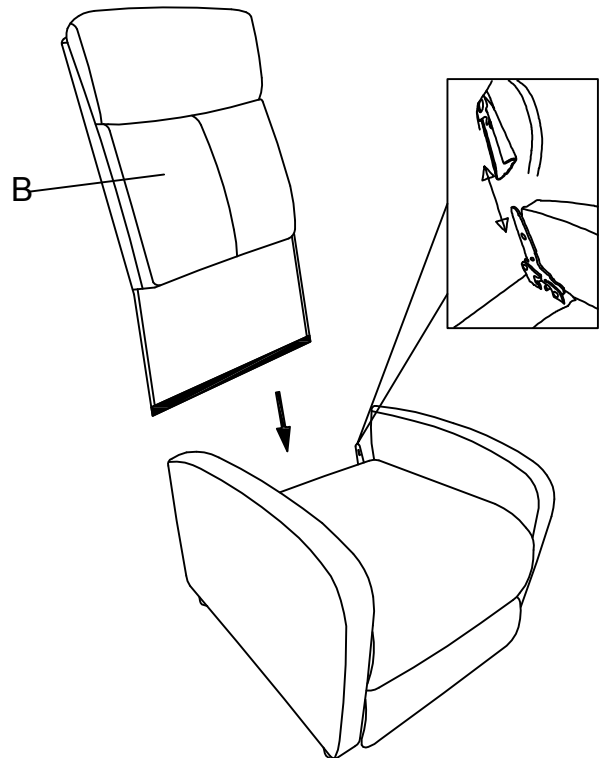
D*4



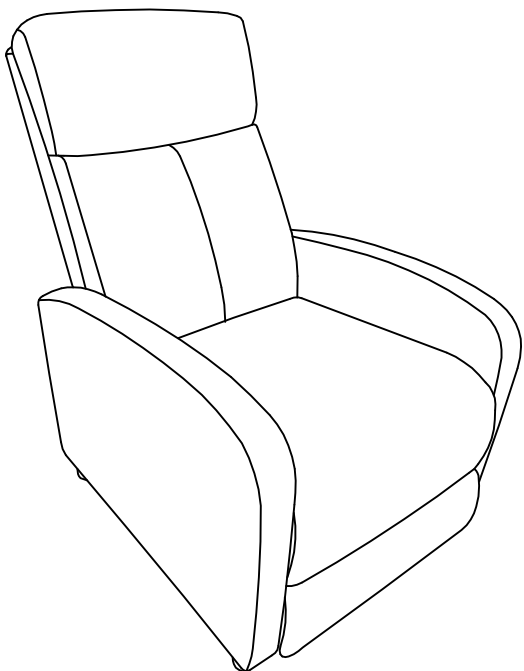
STEP 1:



STEP 2:



STEP 3:



STEP 4:

