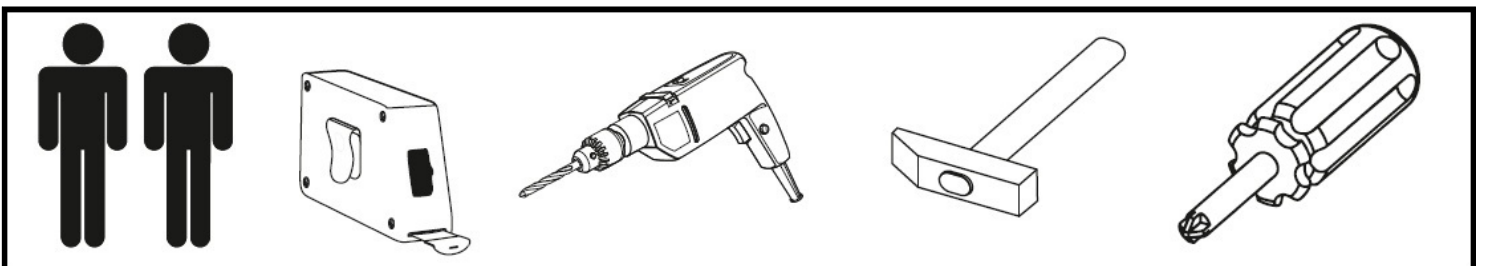
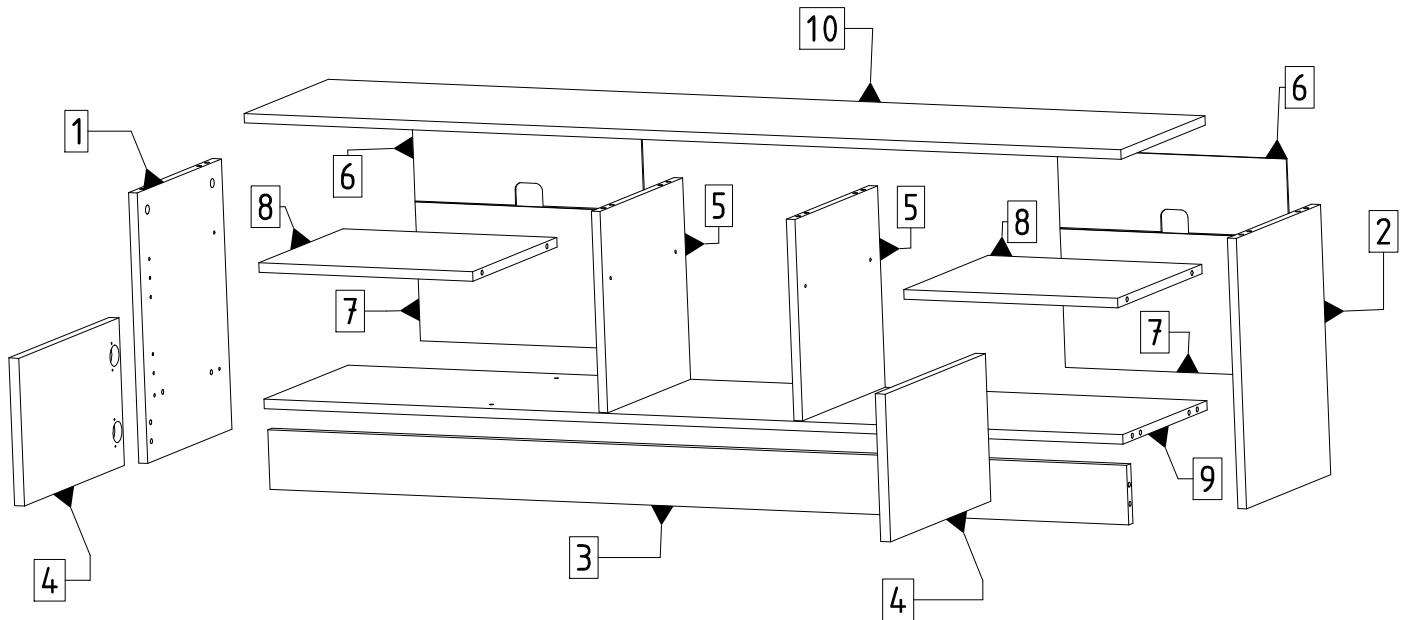
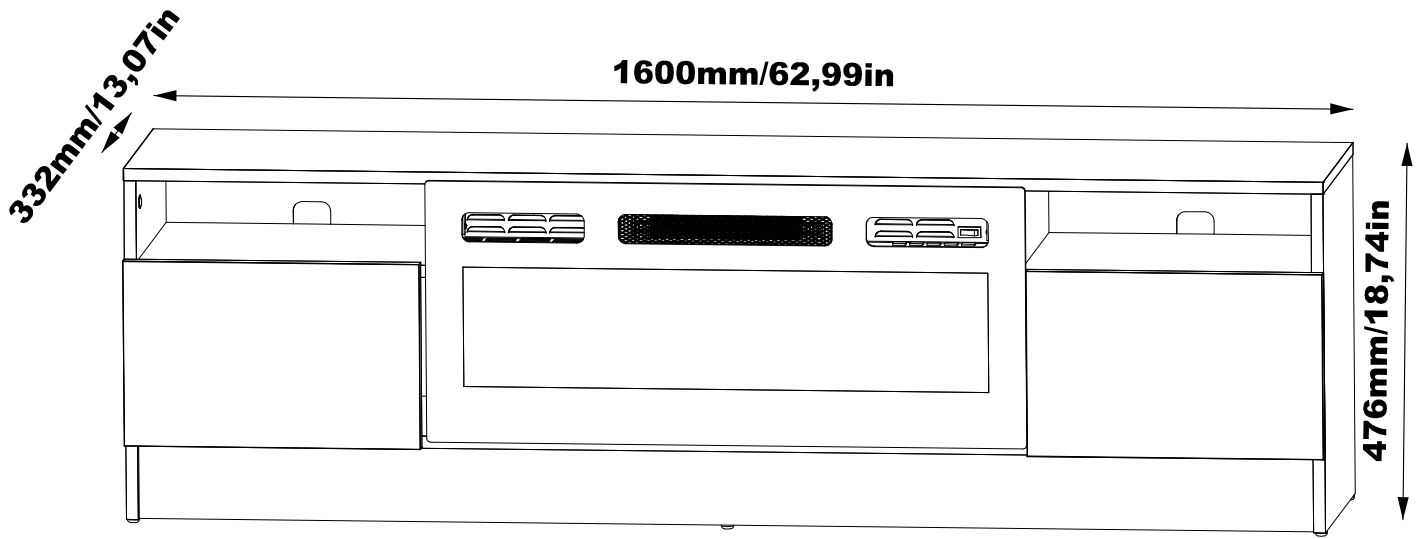


DUKE

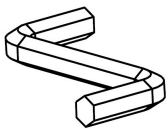
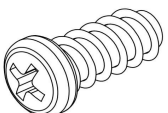
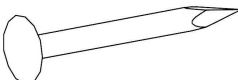
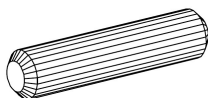



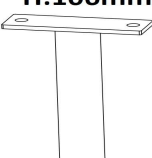
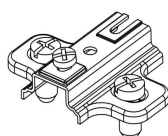
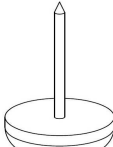
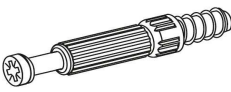
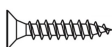
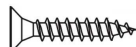
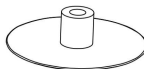
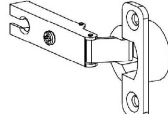
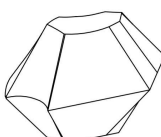
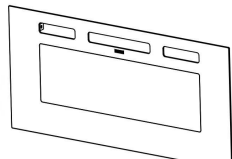
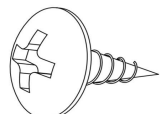
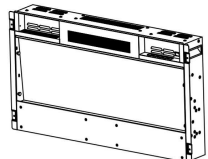
DUKE01

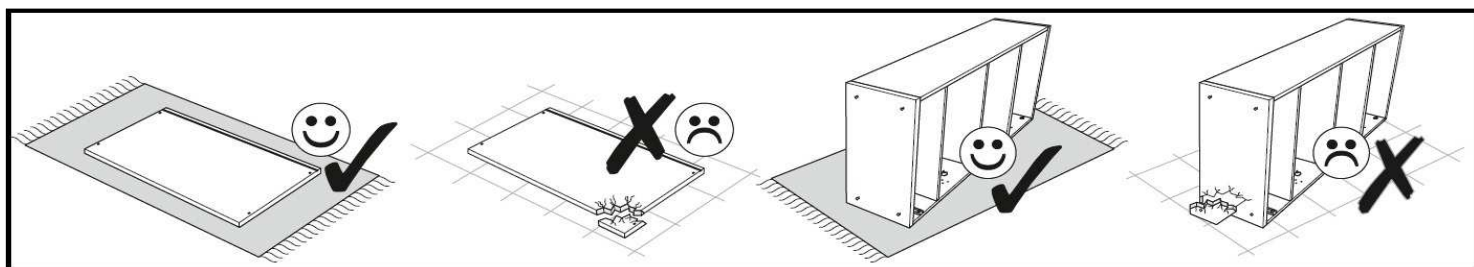
OP-129



# Table accessories

## DUKE01

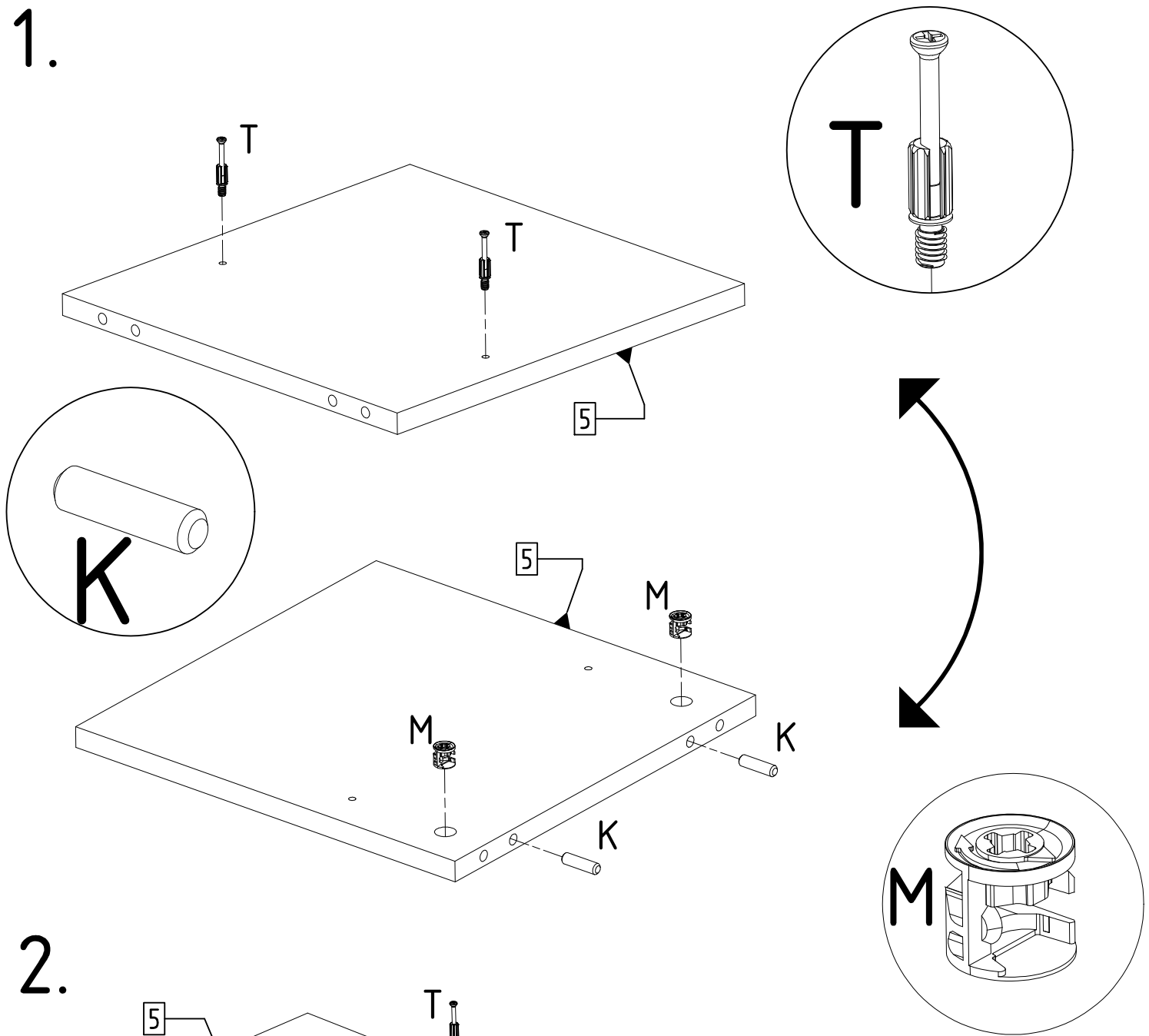
 <b>A1</b>	6,3 X 13  <b>E13</b>	 <b>G</b>	8 x 30  <b>K</b>	 <b>KN</b>
 <b>KP</b>	15 x 12  <b>M</b>	H:106mm  <b>N106</b>	 <b>PRE</b>	 <b>SL</b>
6 x 34 mm  <b>T</b>	4 x 16  <b>W16</b>	4 X 25mm  <b>W4</b>	 <b>Z</b>	 <b>ZP</b>
 <b>KRD</b>	 <b>SK2</b>	 <b>WK</b>	 <b>WKL2</b>	



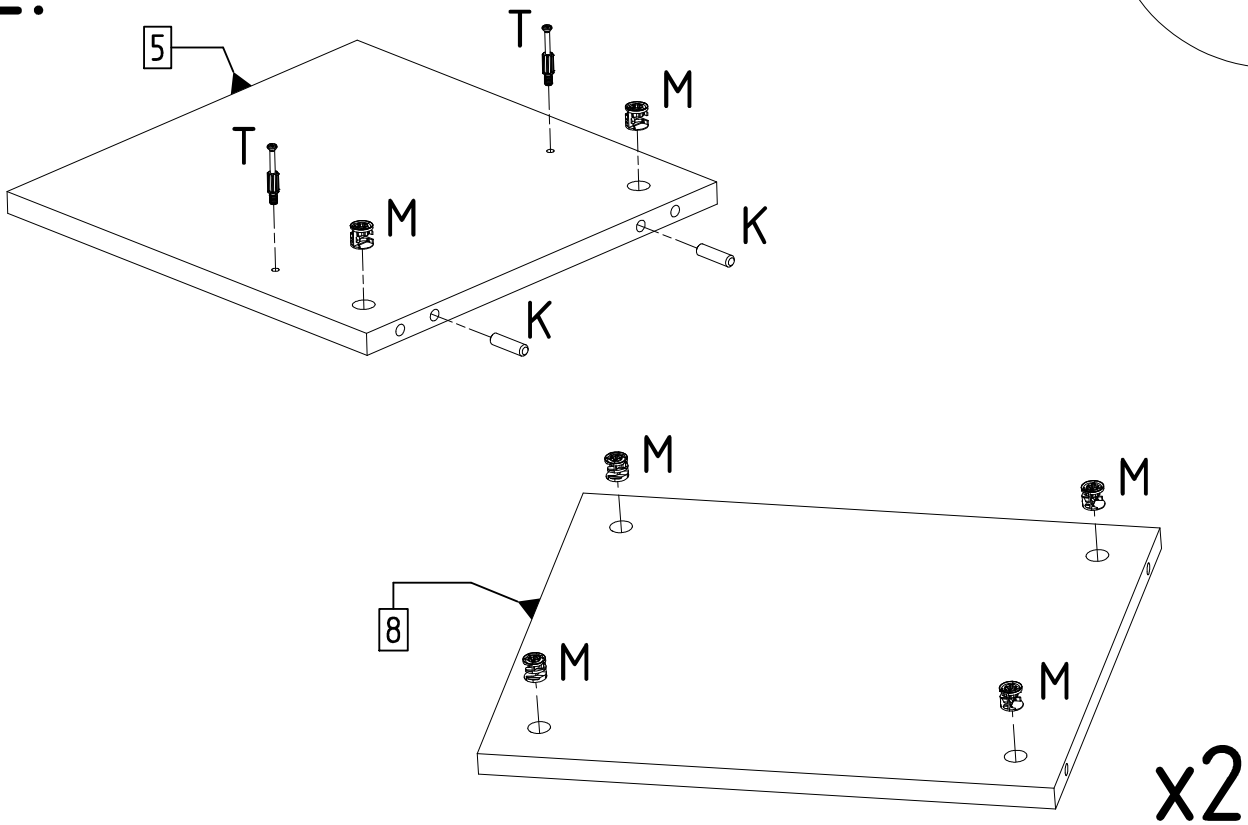
Elements				Accessories	
SYMBOL	LENGTH	WIDTH	QUANTITY	SYMBOL	QUANTITY
BL [1]	17.87	13.07	1	E13	2
BP [2]	17.87	13.07	1	G	32
CD [3]	61.69	3.94	1	K	16
FT [4]	15.55	9.76	2	KN	4
P1 [5]	13.31	12.83	2	KP	2
PC1 [6]	16.46	5.16	2	KRD [attached to the electric fireplace]	62
PC2 [7]	16.46	9.17	2	M	20
PPO [8]	15.35	13.07	2	N106	1
WD [9]	61.69	13.07	1	PRE	4
WG [10]	62.99	13.07	1	SK2 [attached to the electric fireplace]	1
				SL	5
				T	20
				W16	12
				W4	4
				WK [attached to the electric fireplace]	6
				WKL2	1
				WKL2 [attached to the electric fireplace]	99
				Z	20
				ZP	4



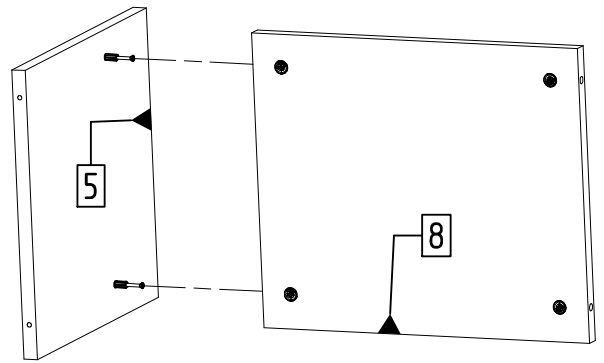
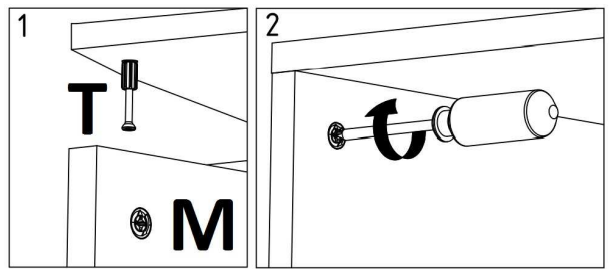
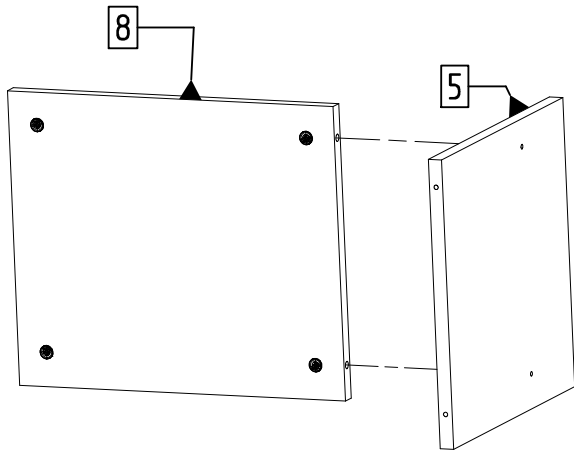
1.



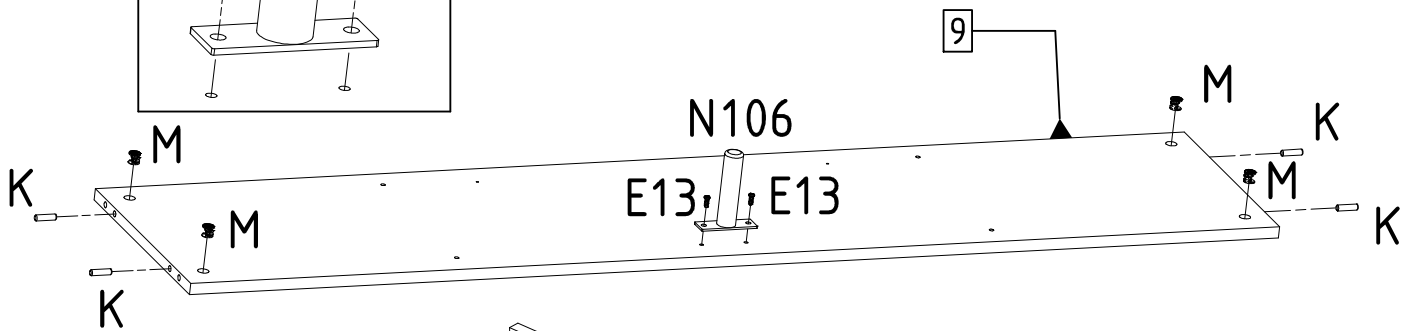
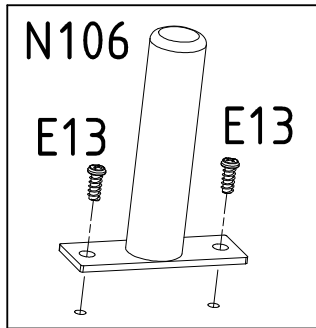
2.



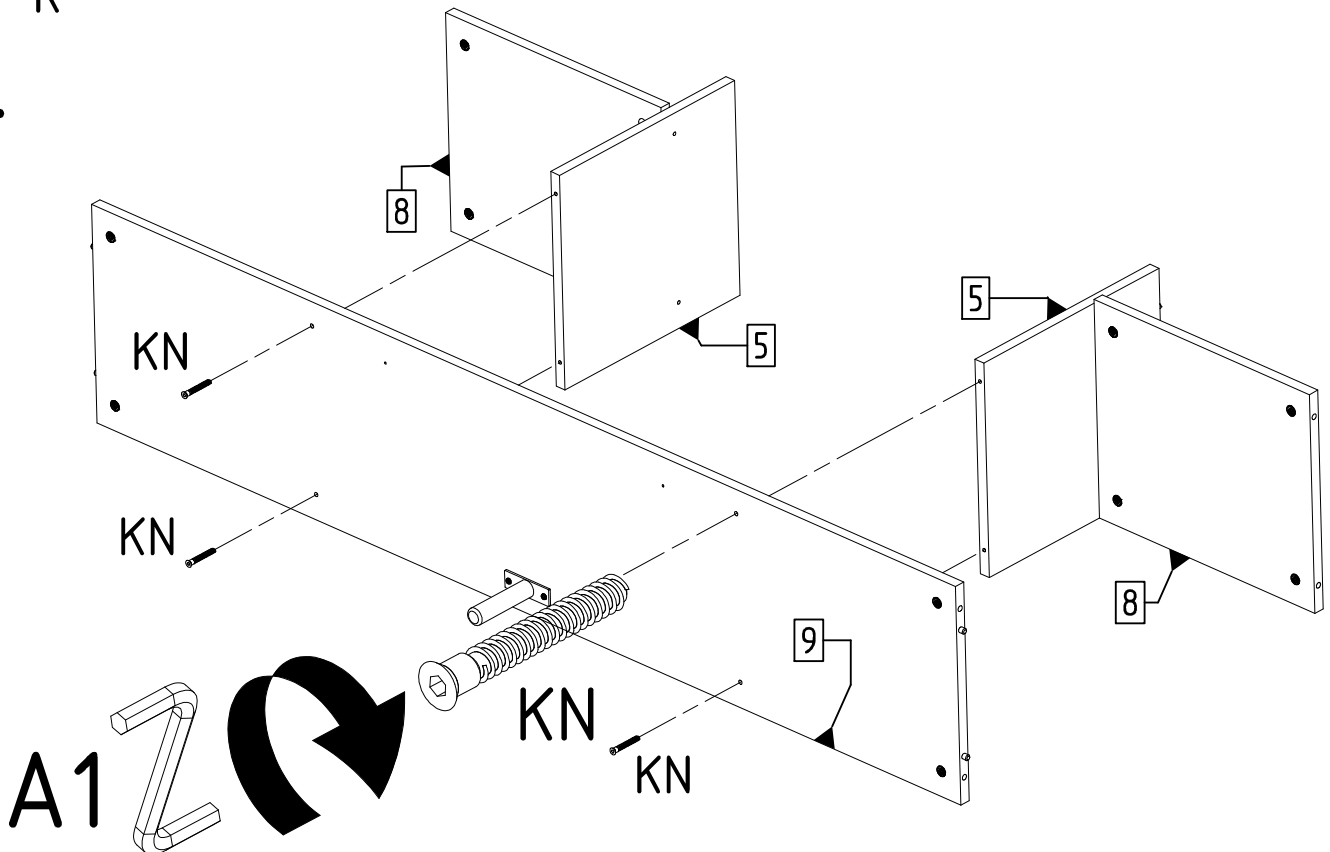
3.



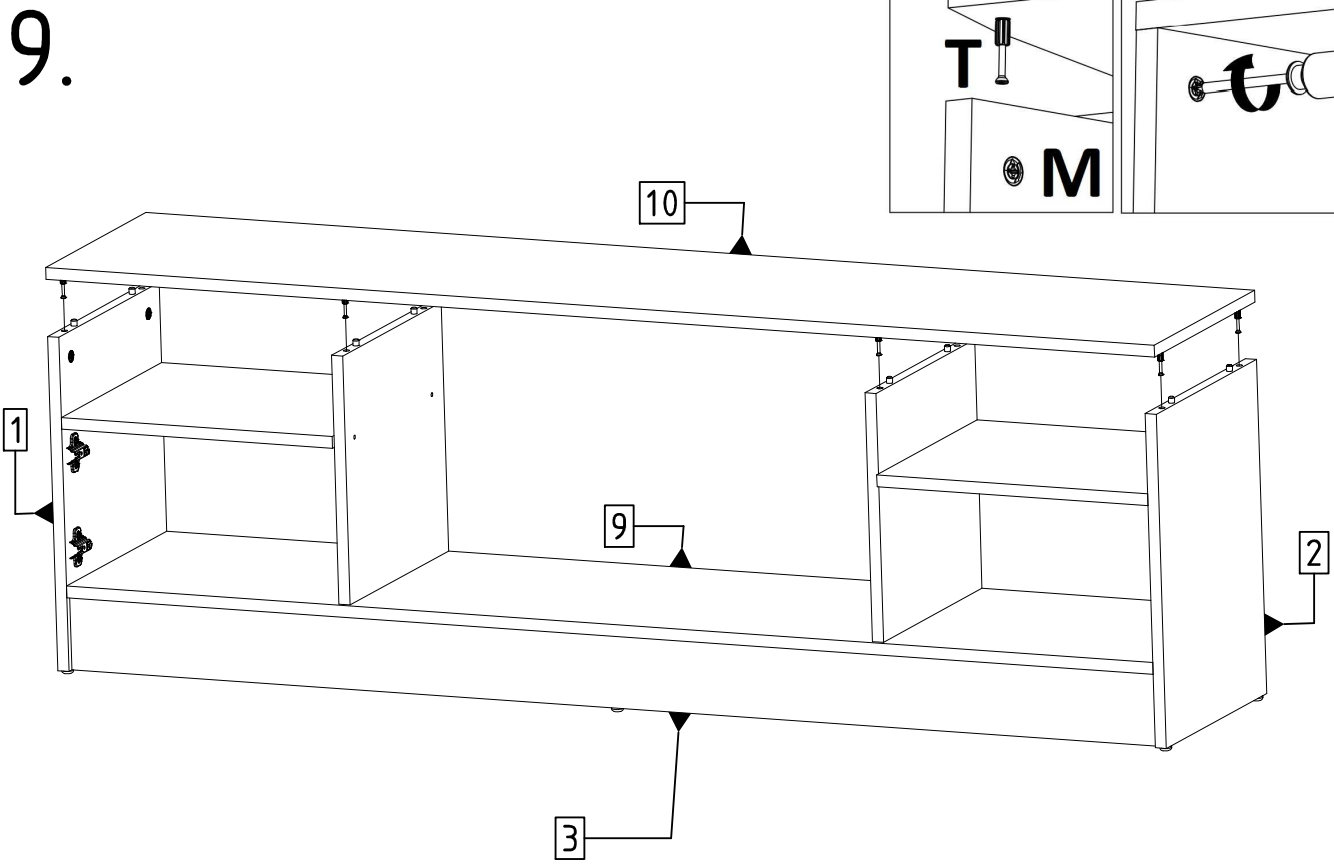
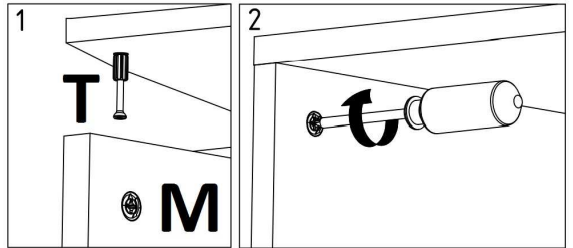
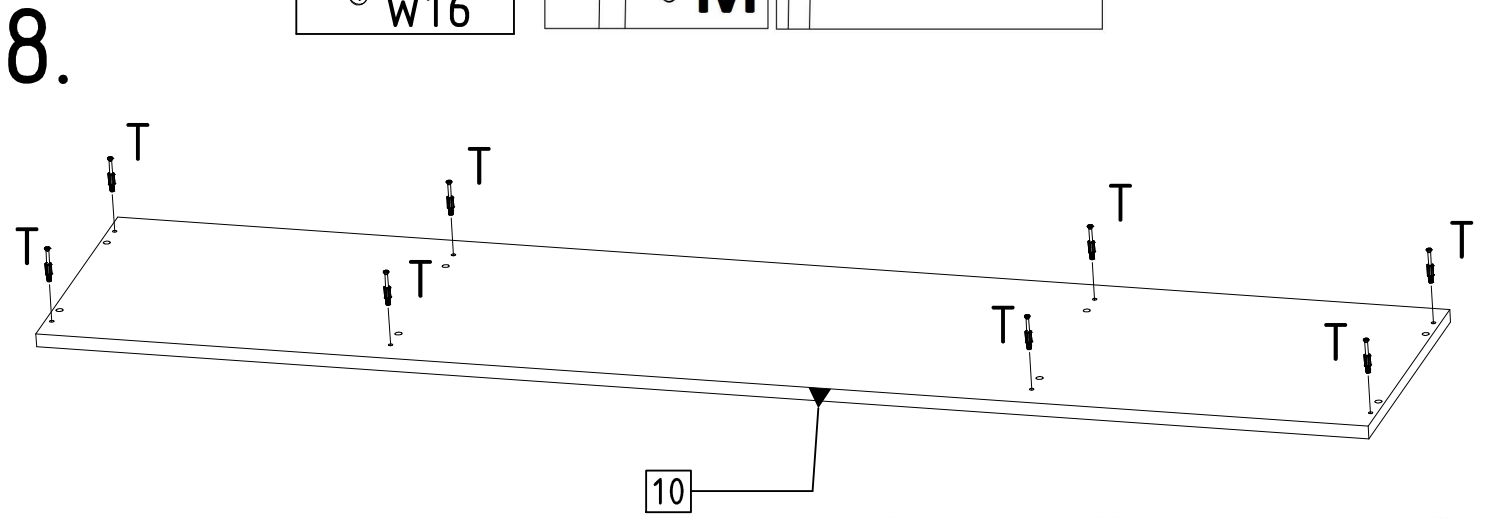
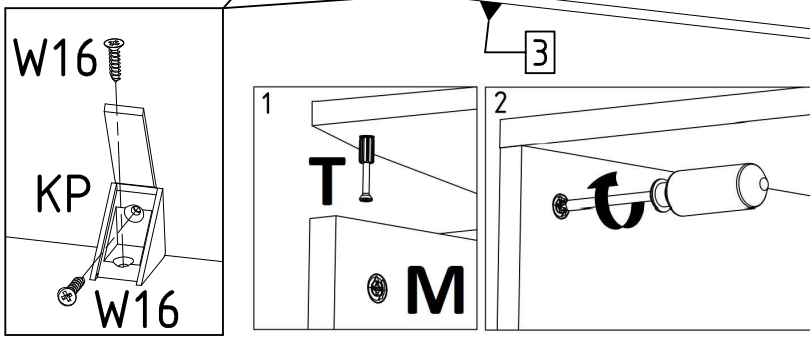
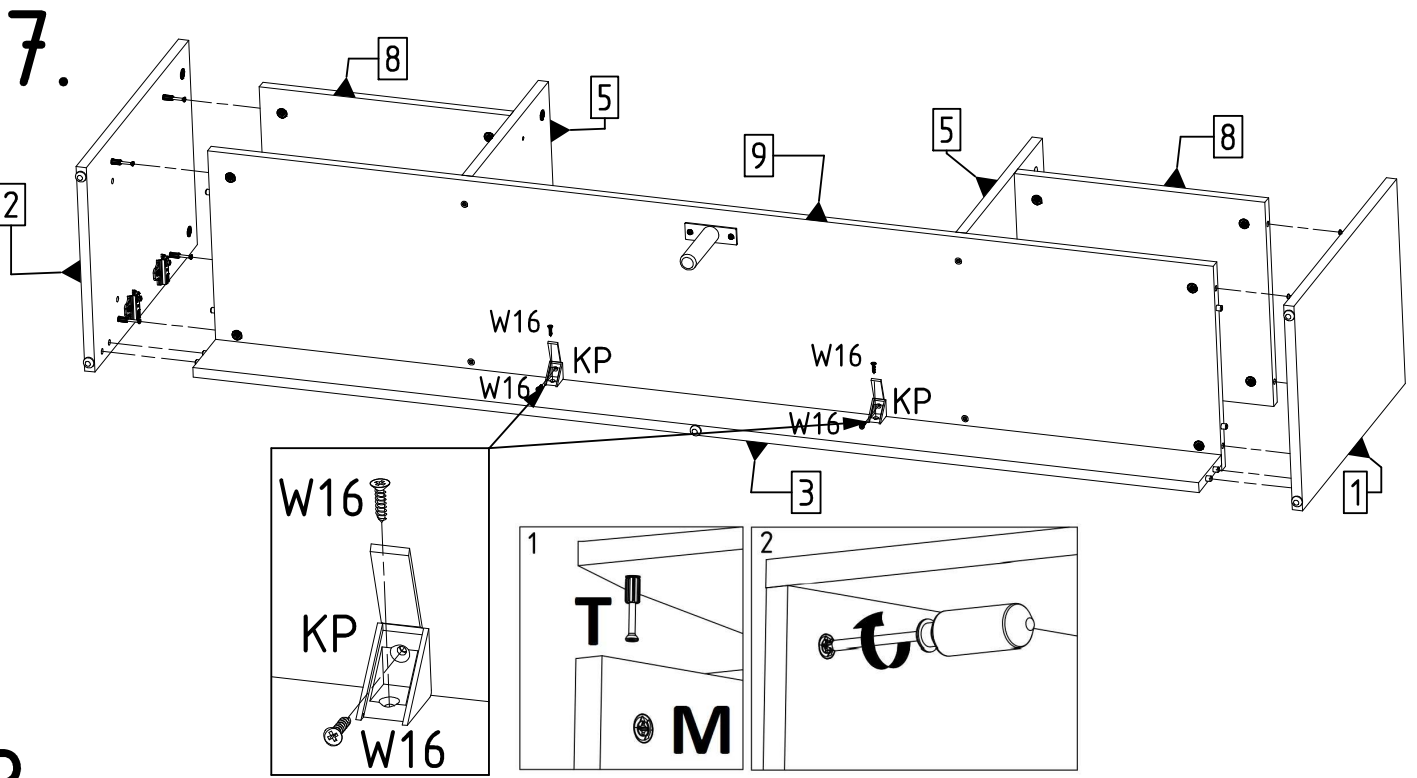
4.



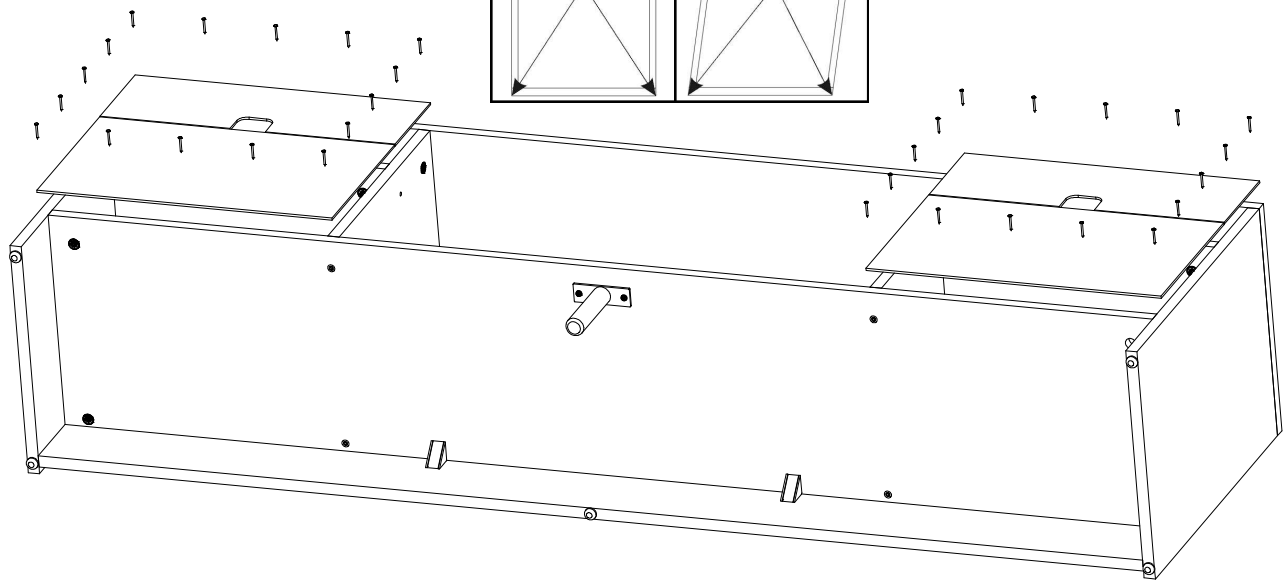
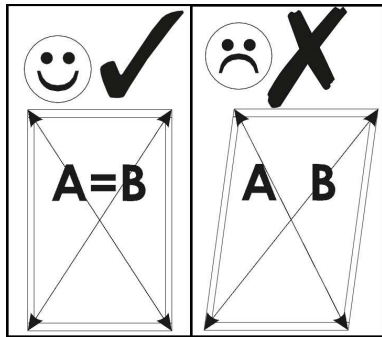
5.



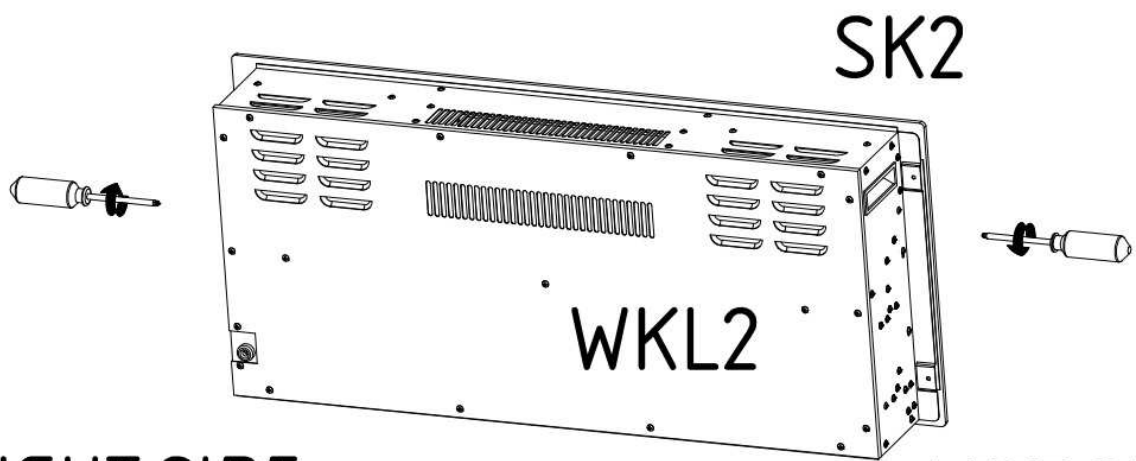




10.

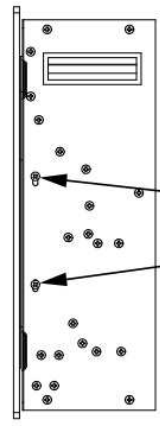


11.

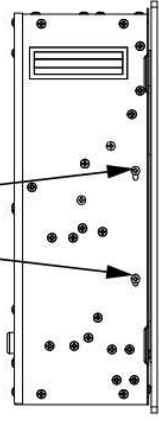


RIGHT SIDE

LEFT SIDE

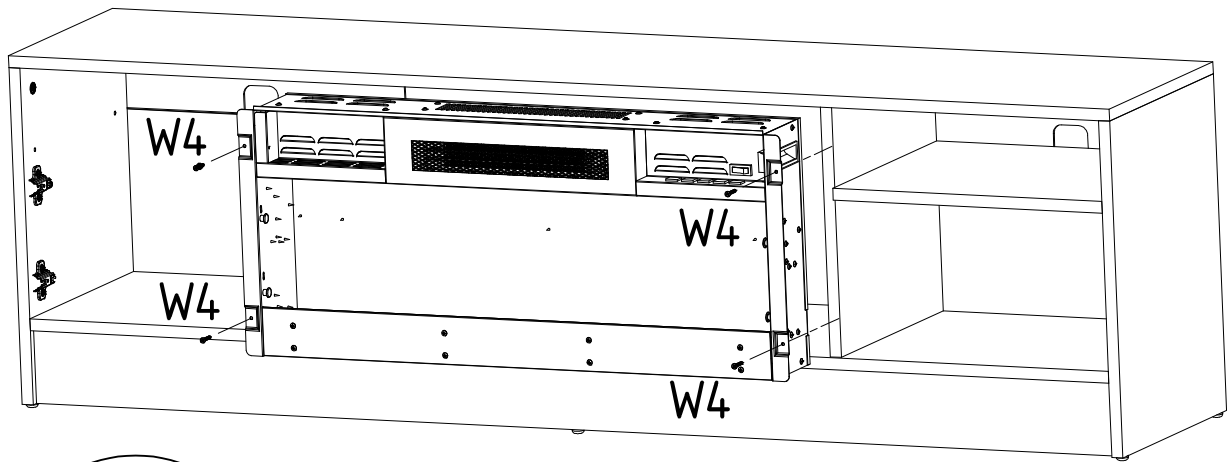
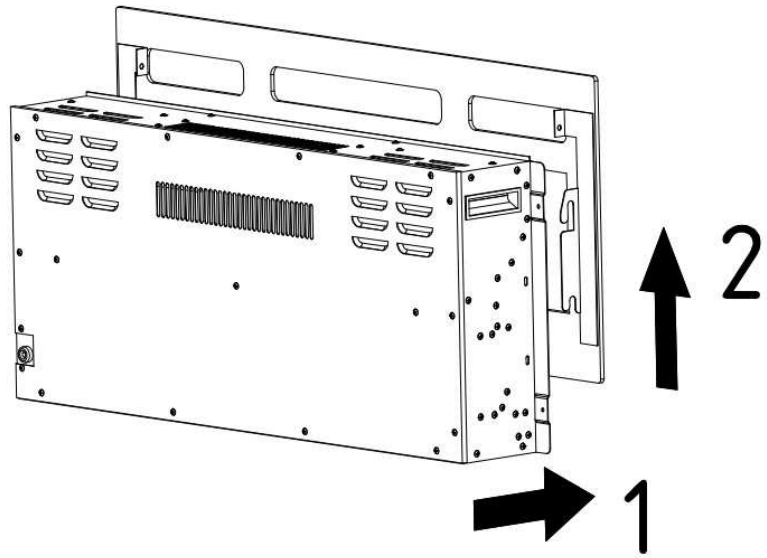


WK

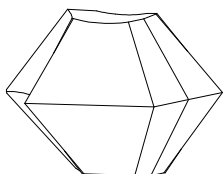
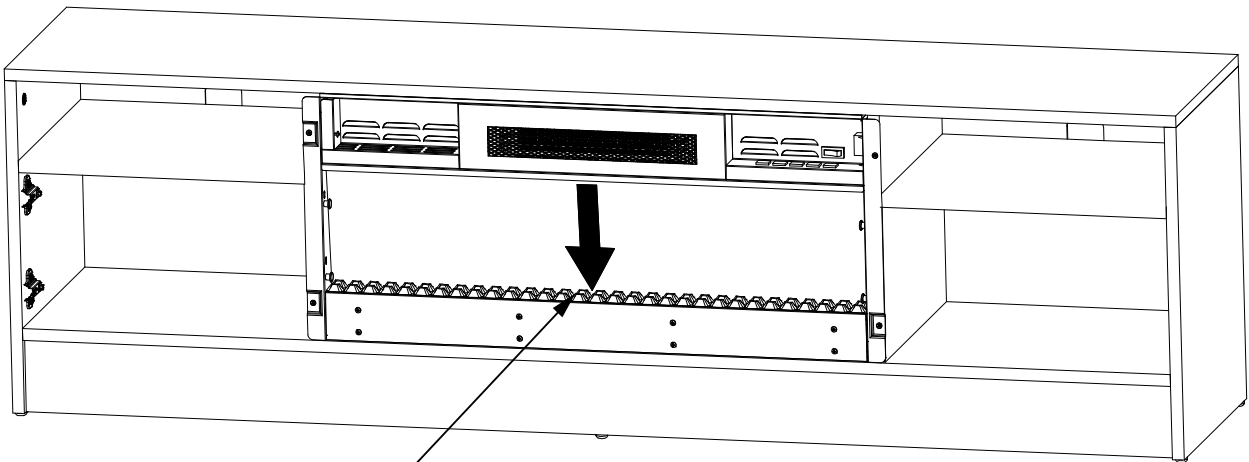
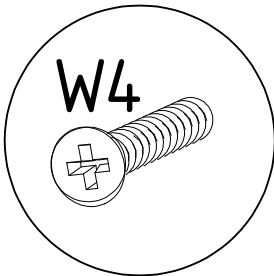




12.

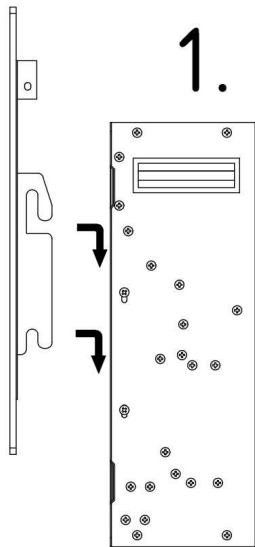
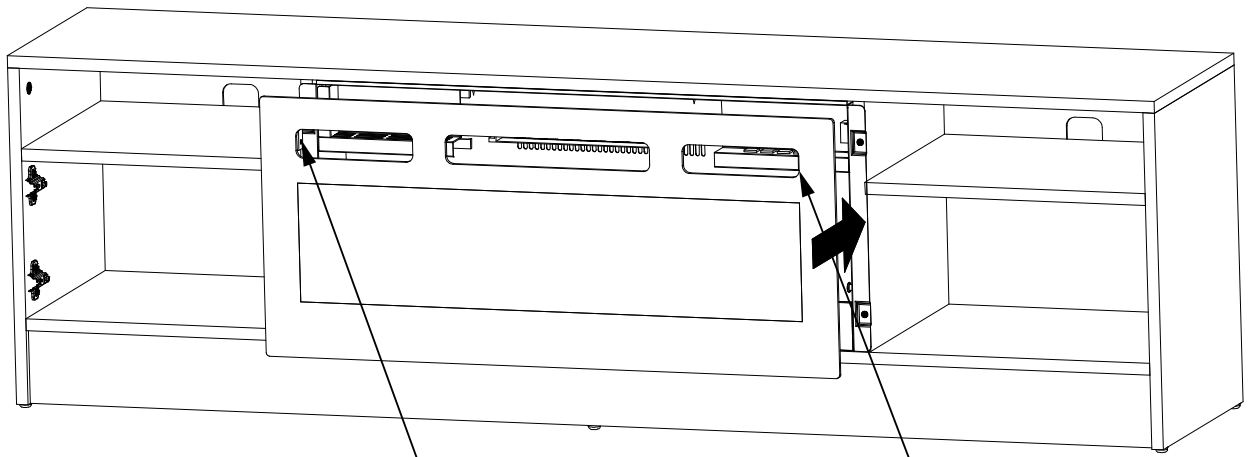


13.

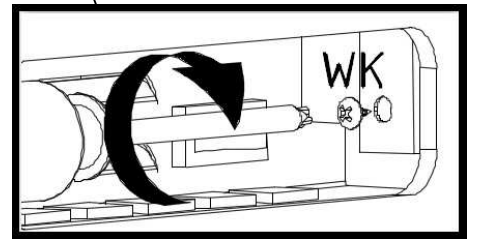
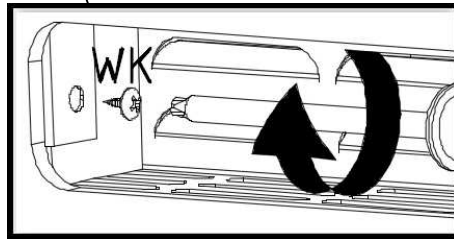


KRD

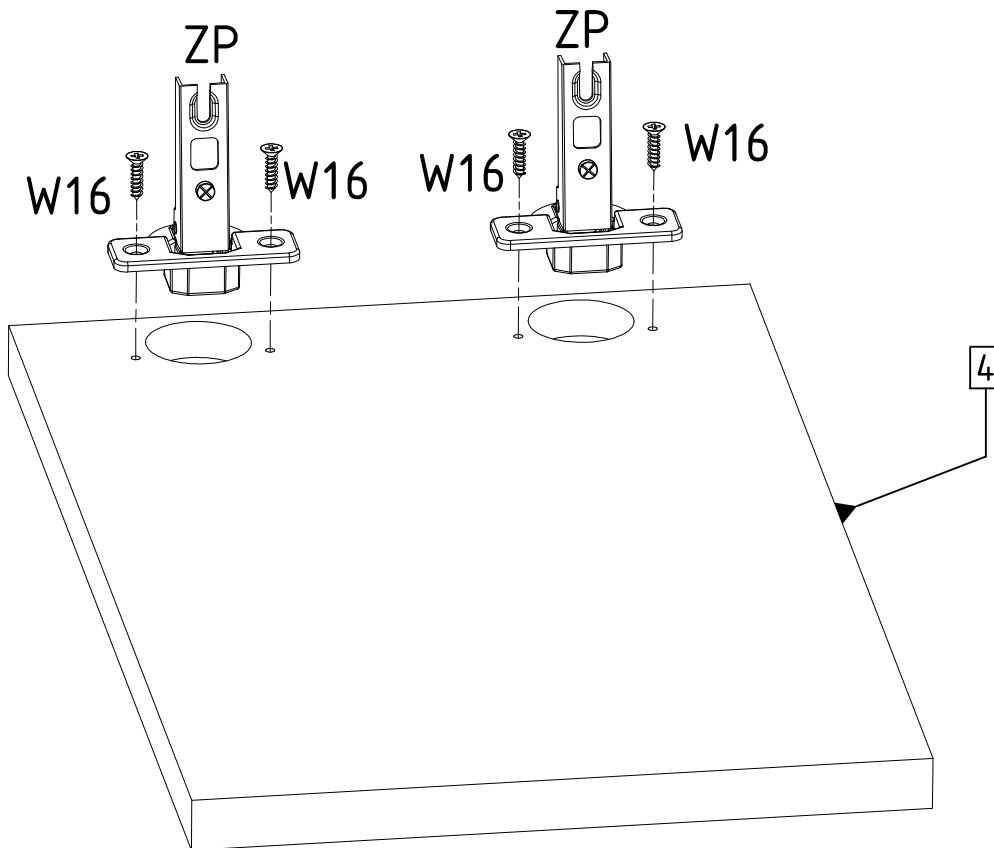
14.



1.



15.



x2

16.

