

ASPEN

ASPEN 04

OP-304

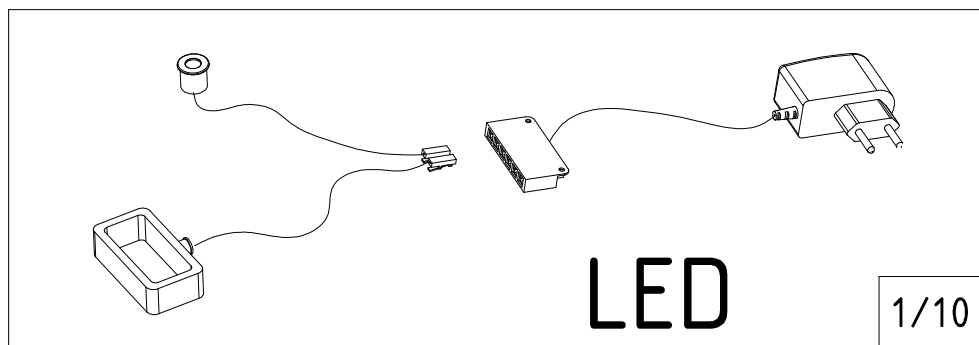
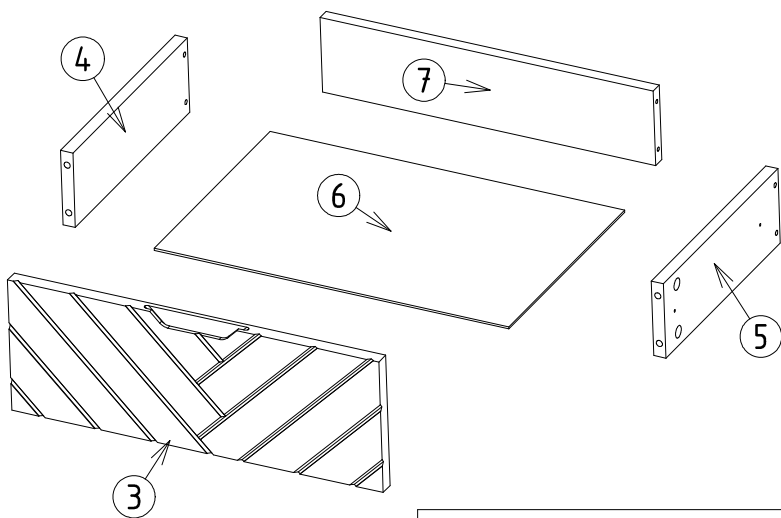
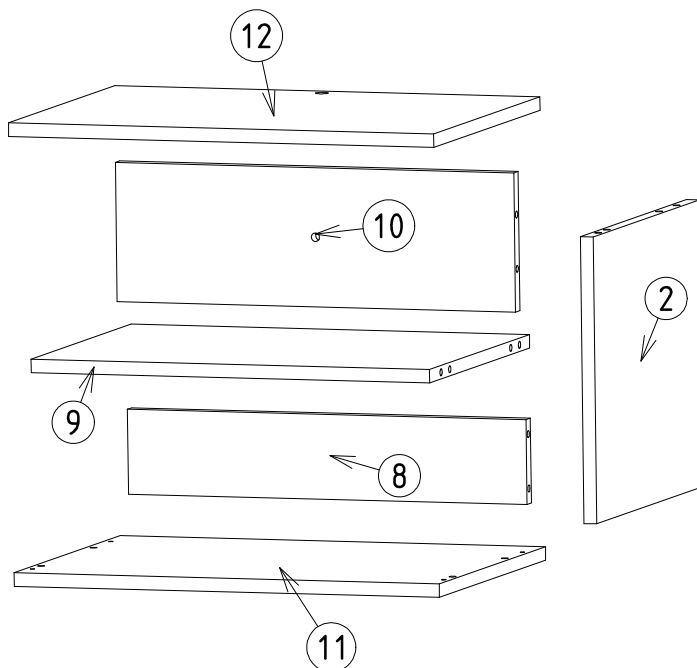
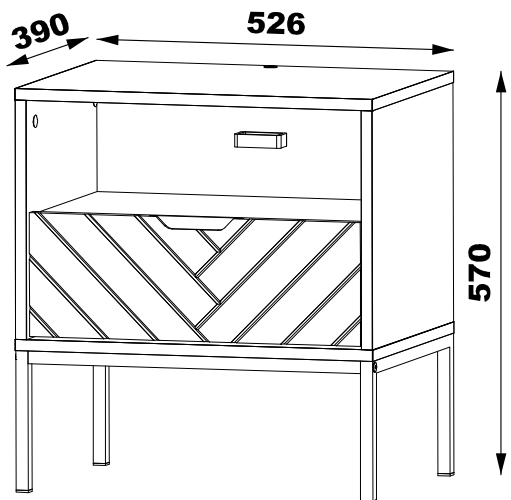
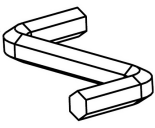
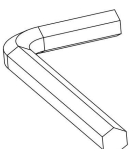
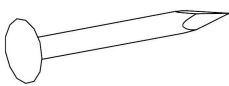

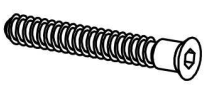




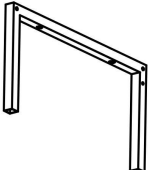
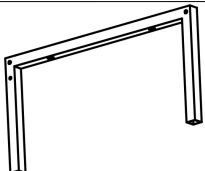
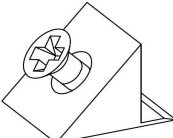

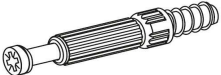
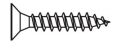
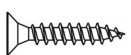
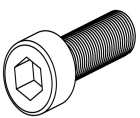
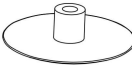

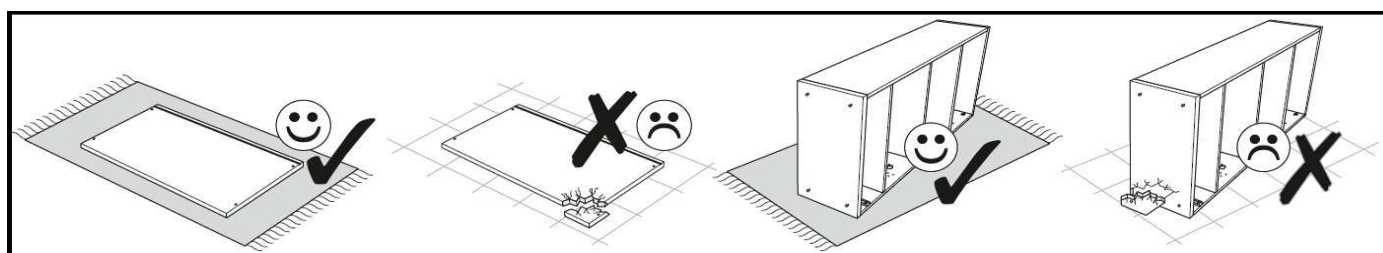
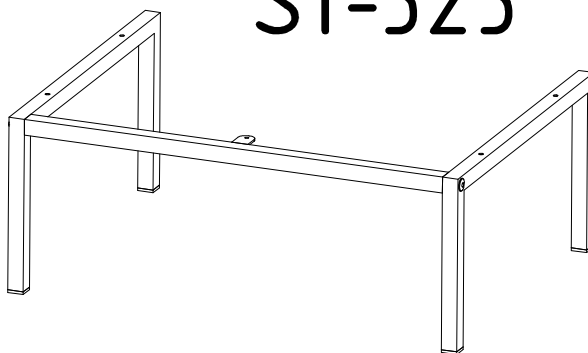


Table accessories

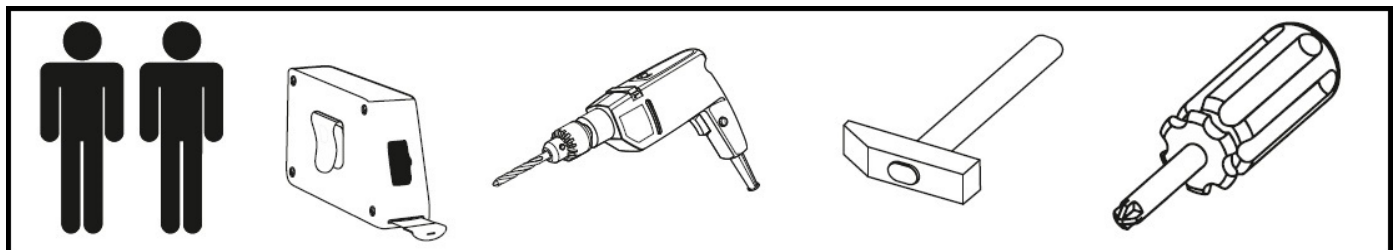
ASPEN 04

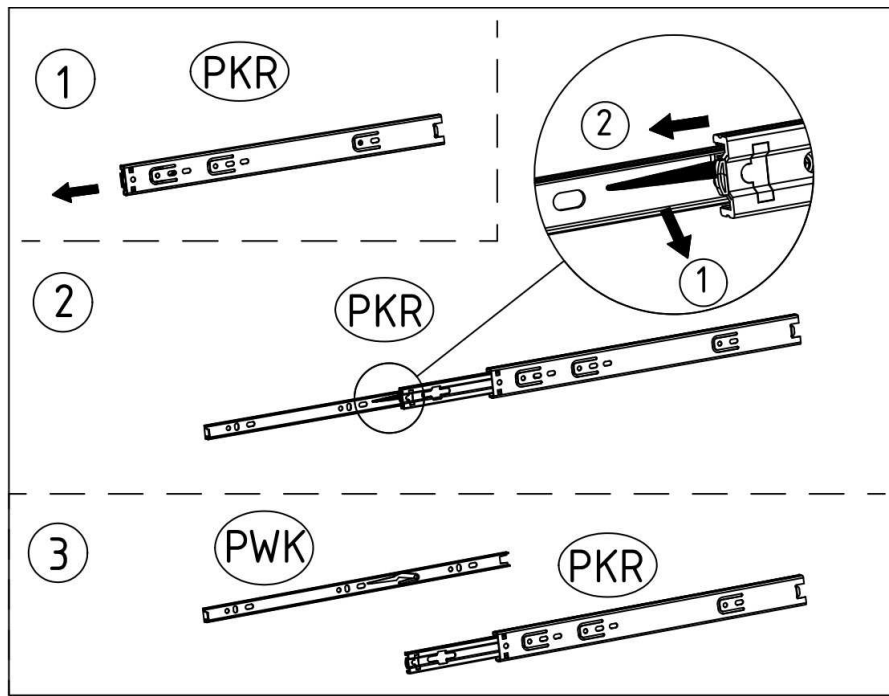
 A1	 A2	 G	8 x 30  K	 KN
 KORP	15 x 12  M	L=300  PKR-300	L=300  PWK-300	 RB-389-L
 RB-389-R	 ST	L=489mm  ST18-489	6 x 34 mm  T	4 x 16  W16
3 x 16mm  W3	 WS20	 Z	 ZSZ	

ST-525

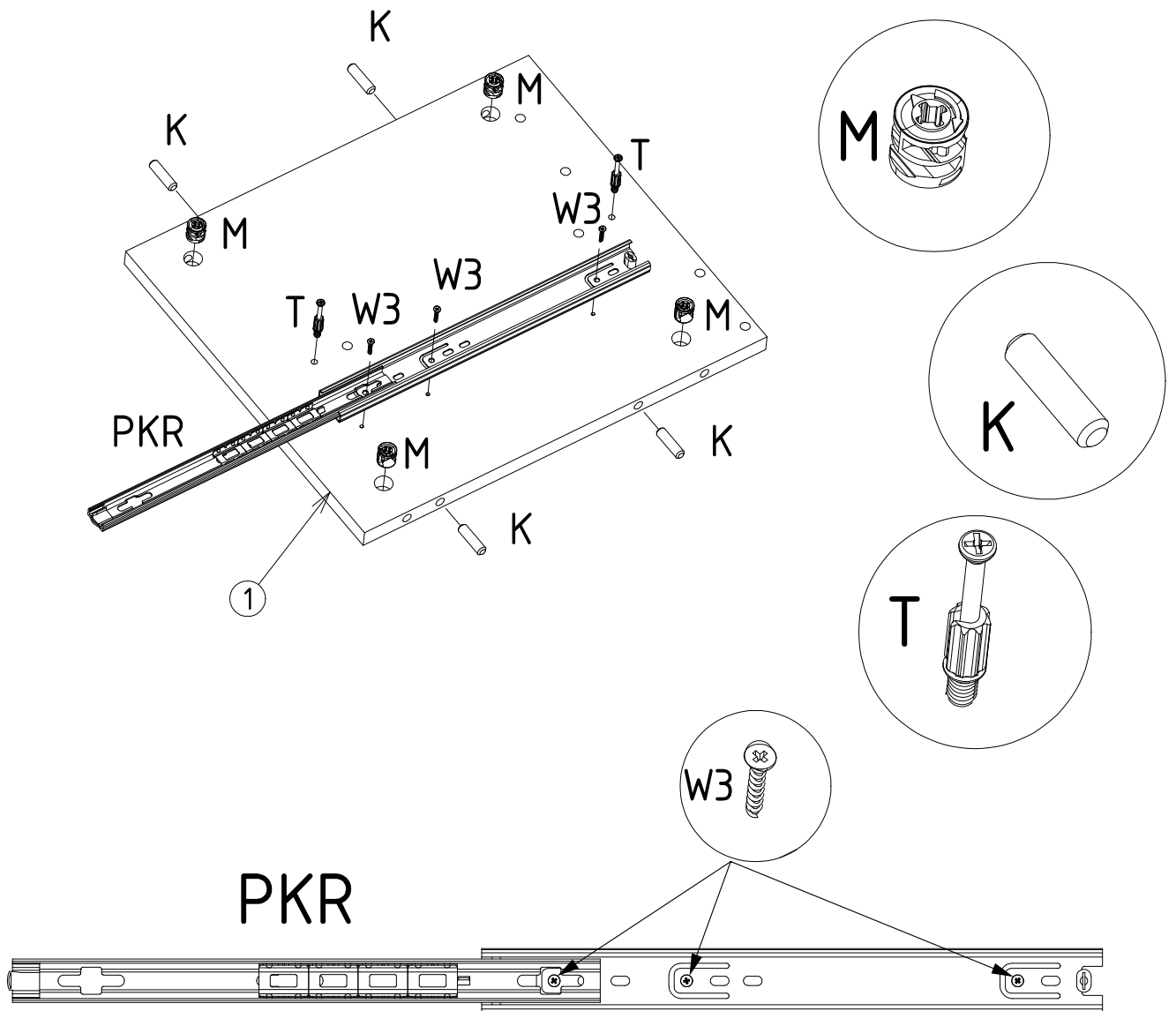


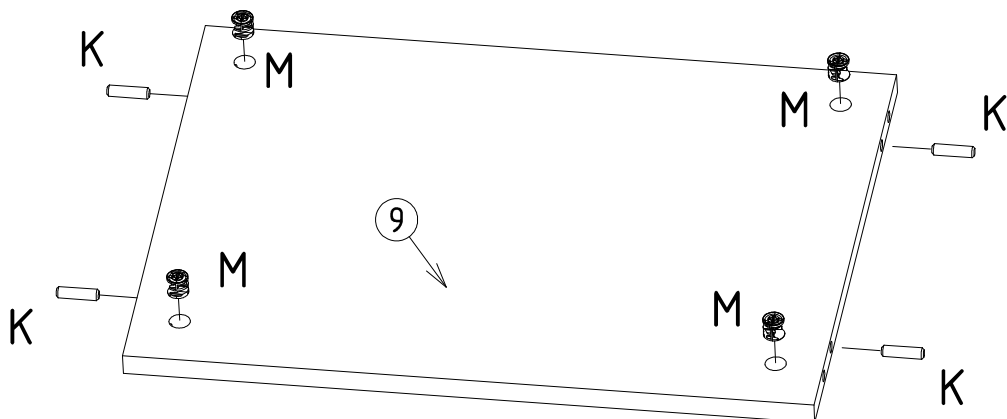
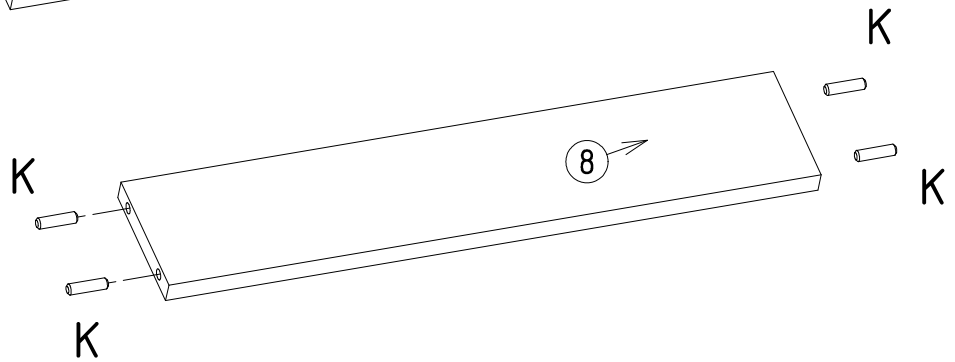
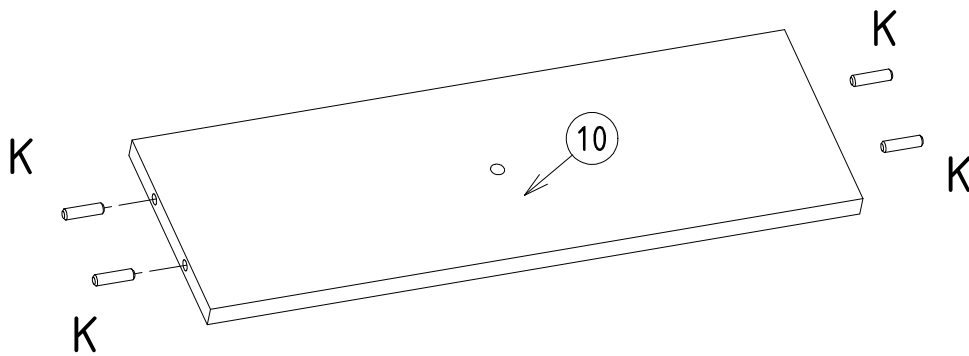
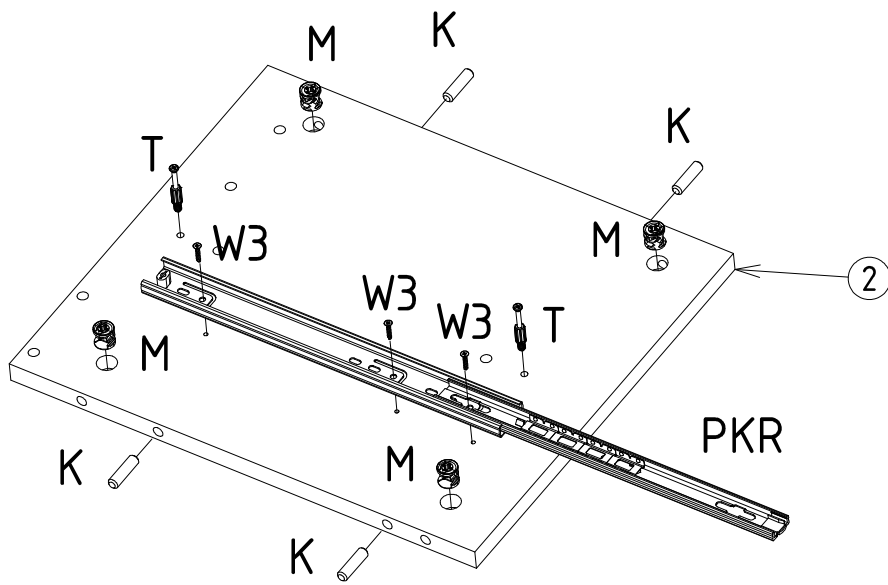
Elements					Accessories	
NR	SYMBOL	LENGTH	WIDTH	QUANTITY	SYMBOL	QUANTITY
1	BL	390	338	1	A1	1
2	BP	390	338	1	A2	1
3	FTS	487	175	1	G	13
4	KBL	300	100	1	K	20
5	KBP	300	100	1	KN	4
6	KD	465	304	1	KORP	4
7	KT	437	100	1	M	16
8	LC	493	100	1	PKR-300	2
9	PPO	493	367	1	PWK-300	2
10	PT	493	164	1	RB18-L-389	1
11	WD	390	526	1	RB18-R-389	1
12	WG	526	390	1	ST	3
					ST18-489	1
					T	16
					W16	5
					W3	10
					WS20	2
					Z	16
					ZSZ	2



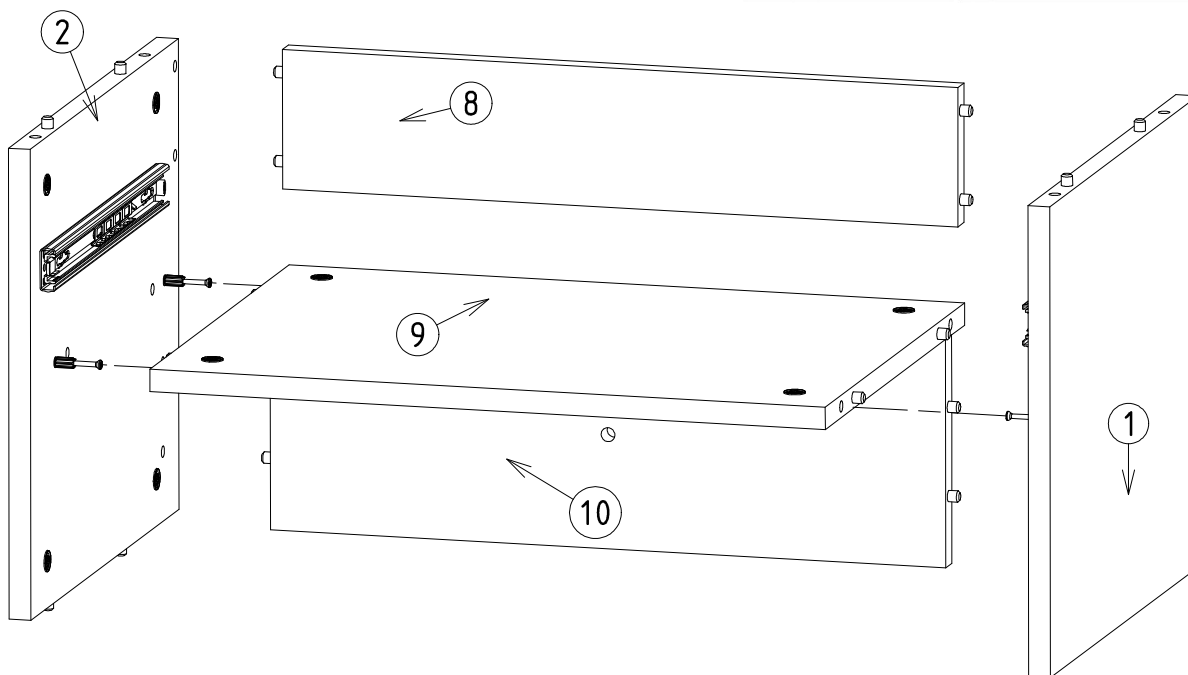
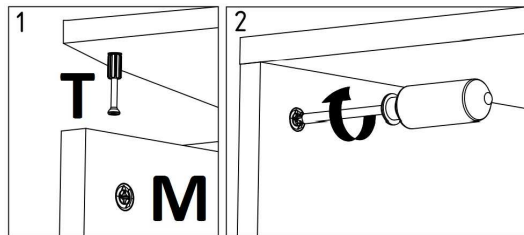


1.

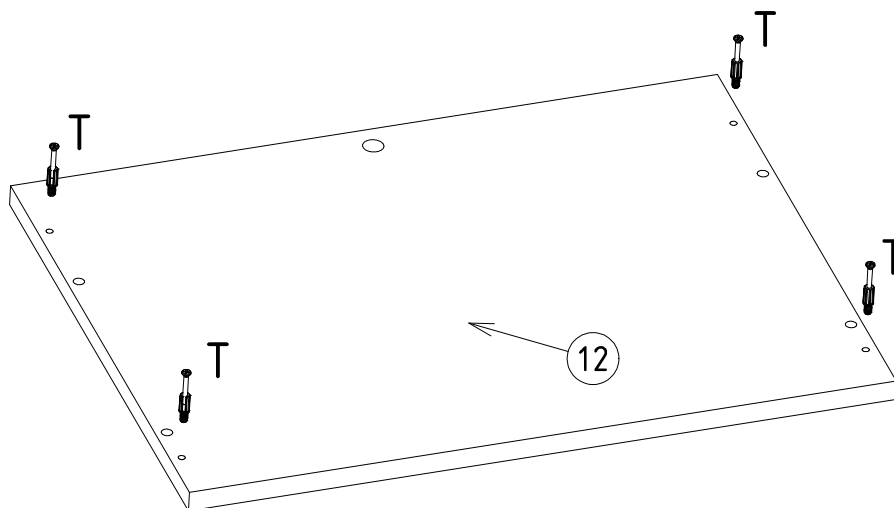
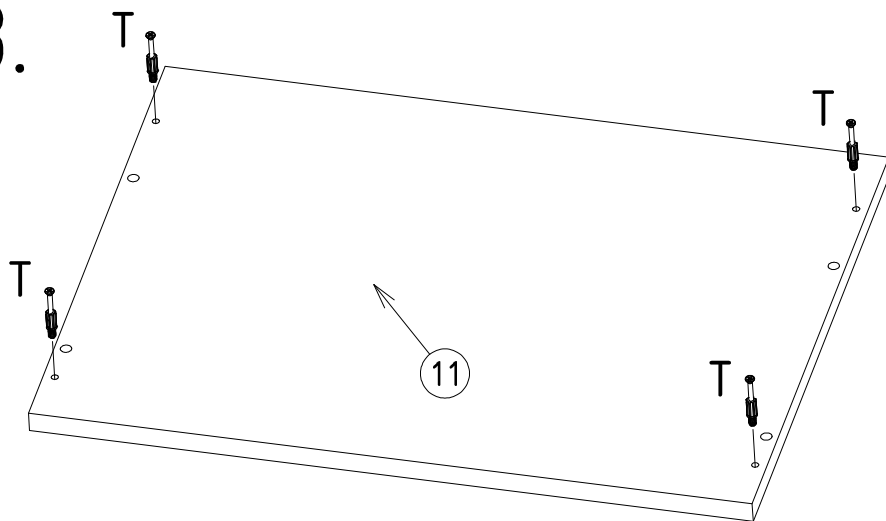




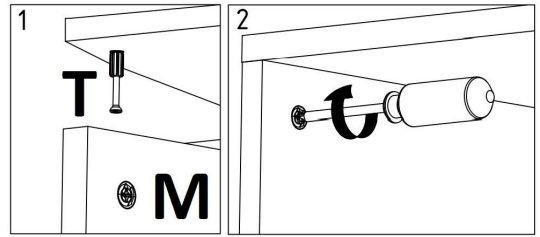
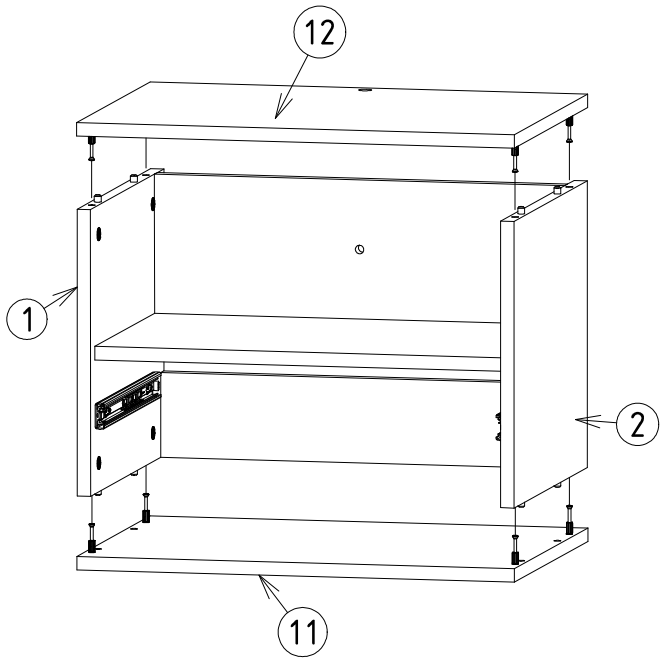
2.



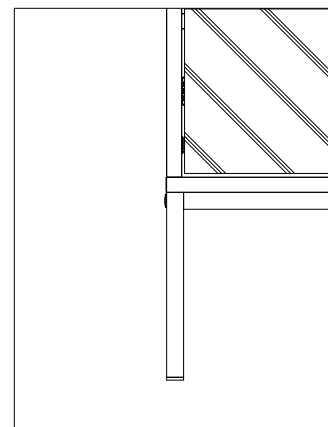
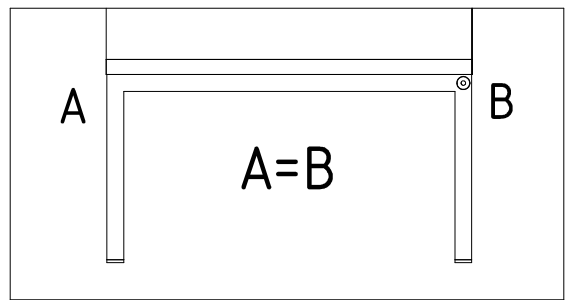
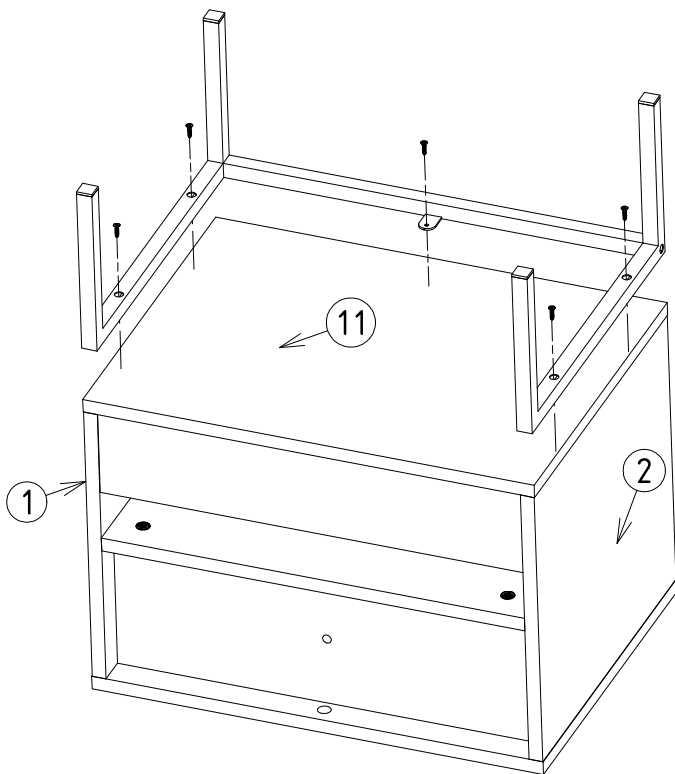
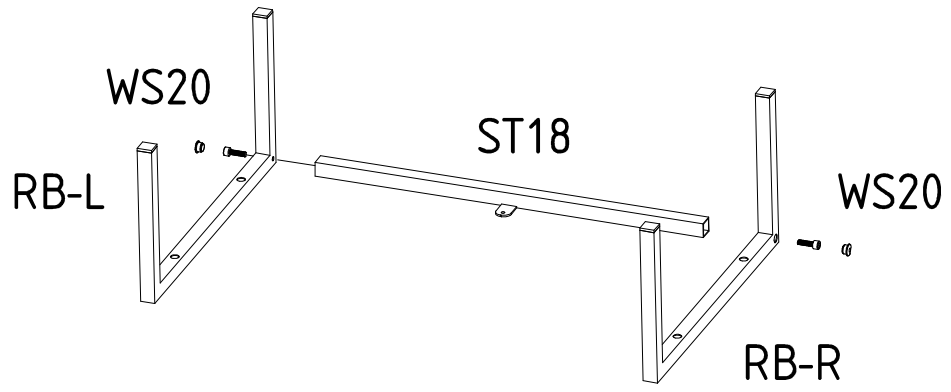
3.



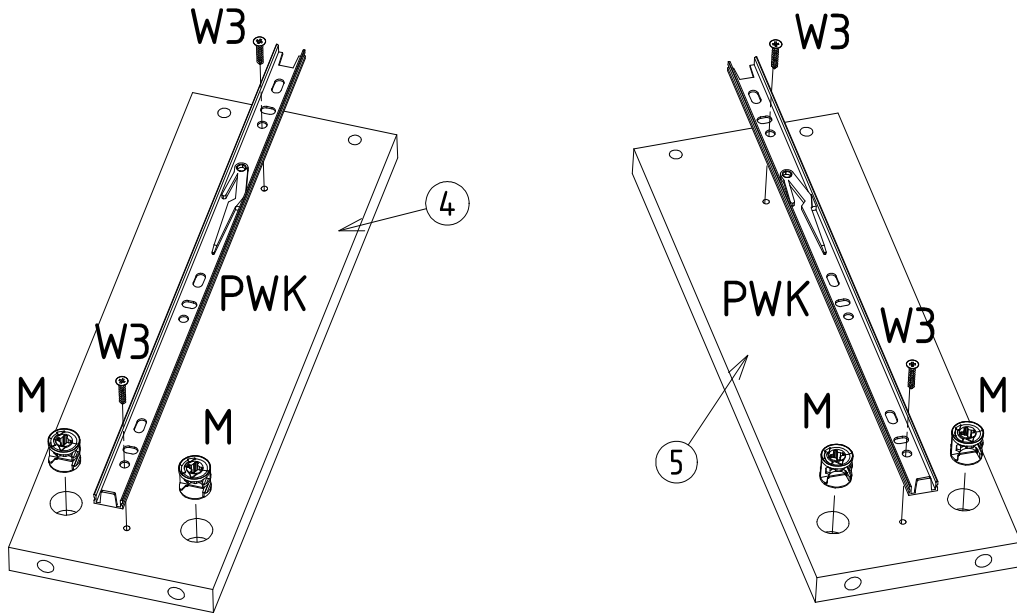
4.



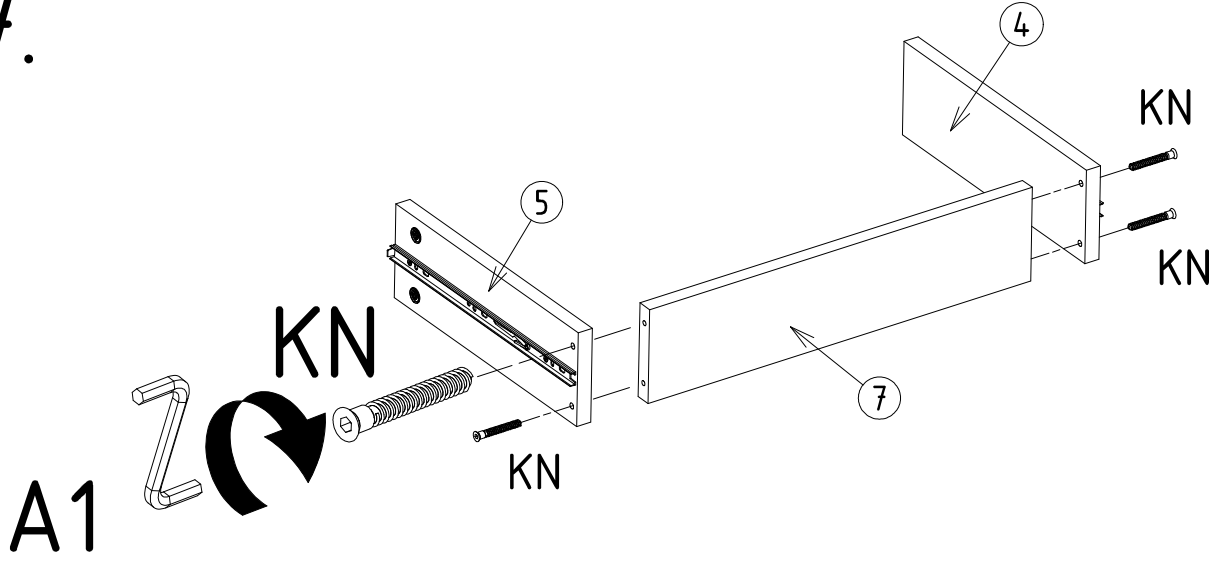
5.



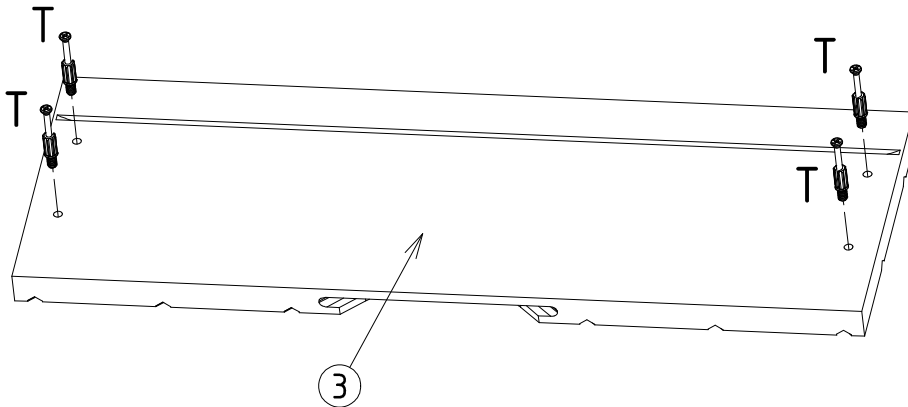
6.



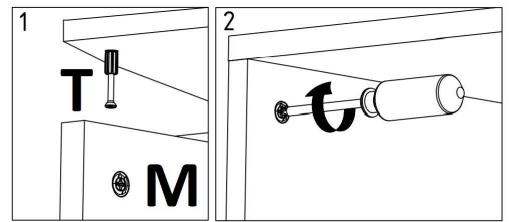
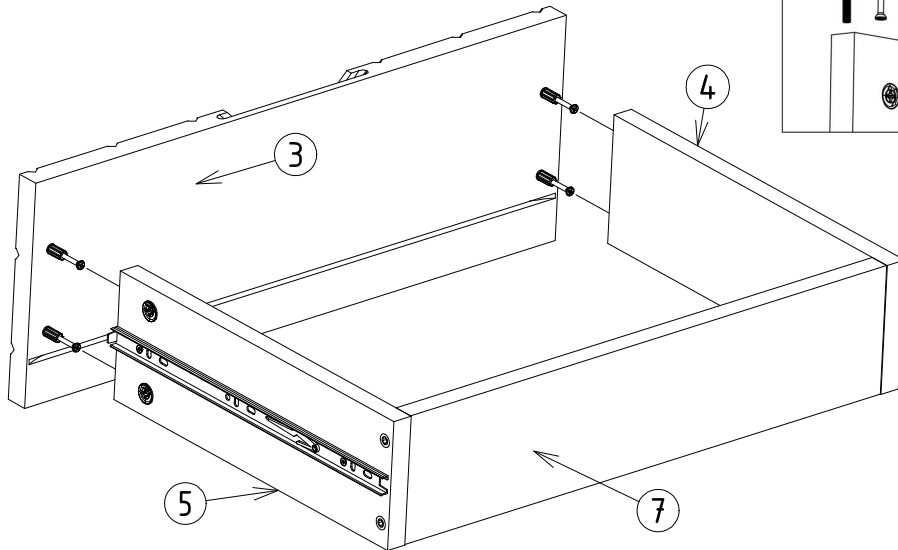
7.



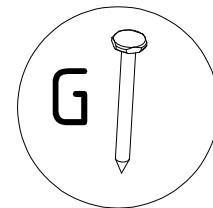
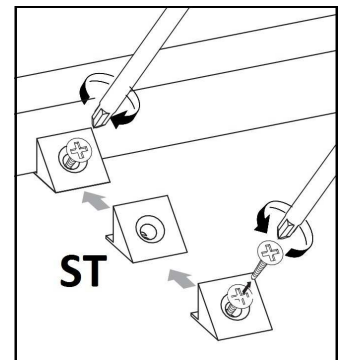
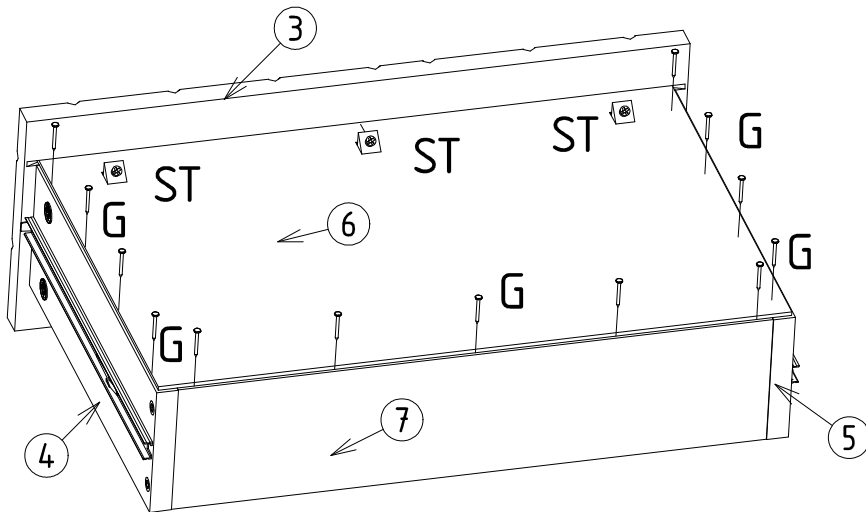
8.



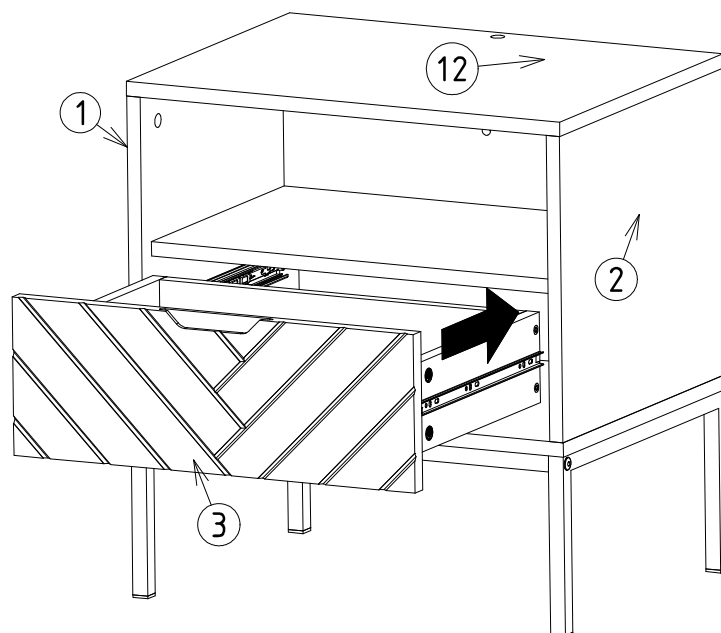
9.



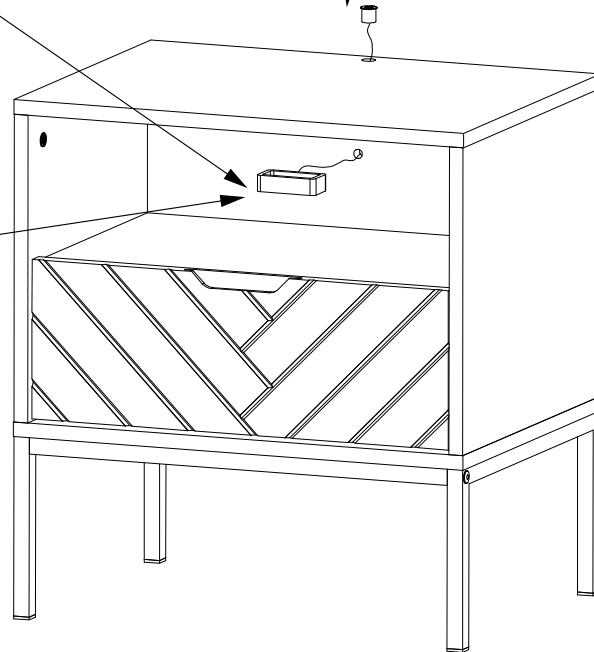
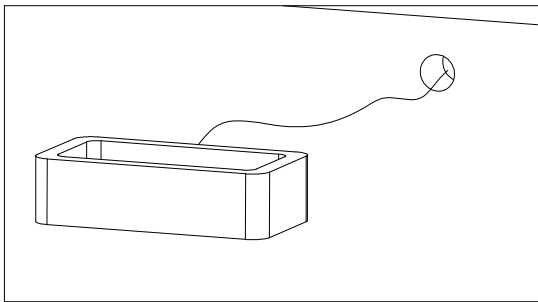
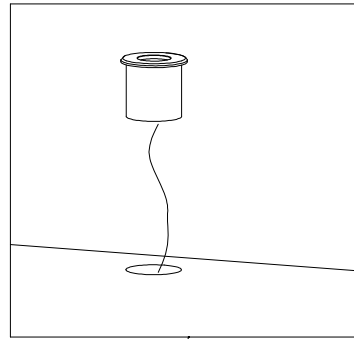
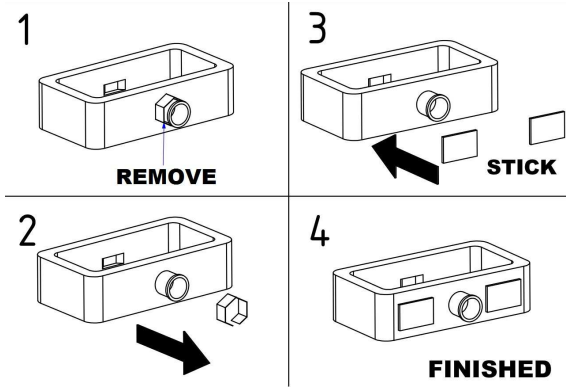
10.



11.



12.



13.

