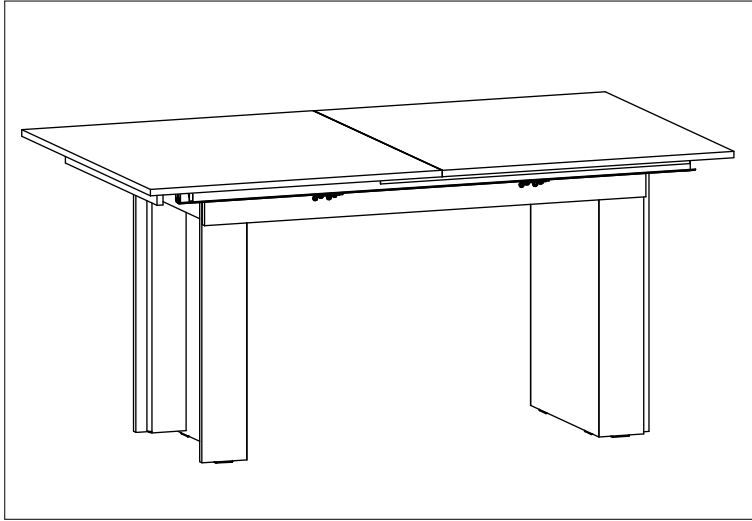




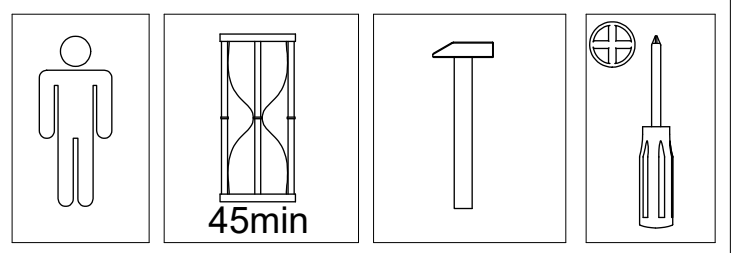
since 1982
**Hubertus
DESIGN**

- | | |
|----------------------------------|------------------------------|
| (D) Montageanleitung | (GB) Assembly Instructions |
| (NL) Handleiding voor de montage | (PL) Instrukcja montażu |
| (TR) Montaj talimatı | (RU) Инструкция по монтажу |
| (RO) Instrucțiunile de asamblare | (CZ) Montážní návod |
| (IT) Istruzioni per il montaggio | (FR) Instructions de montage |
| (SK) Montážny návod | (HU) Szerelési útmutató |



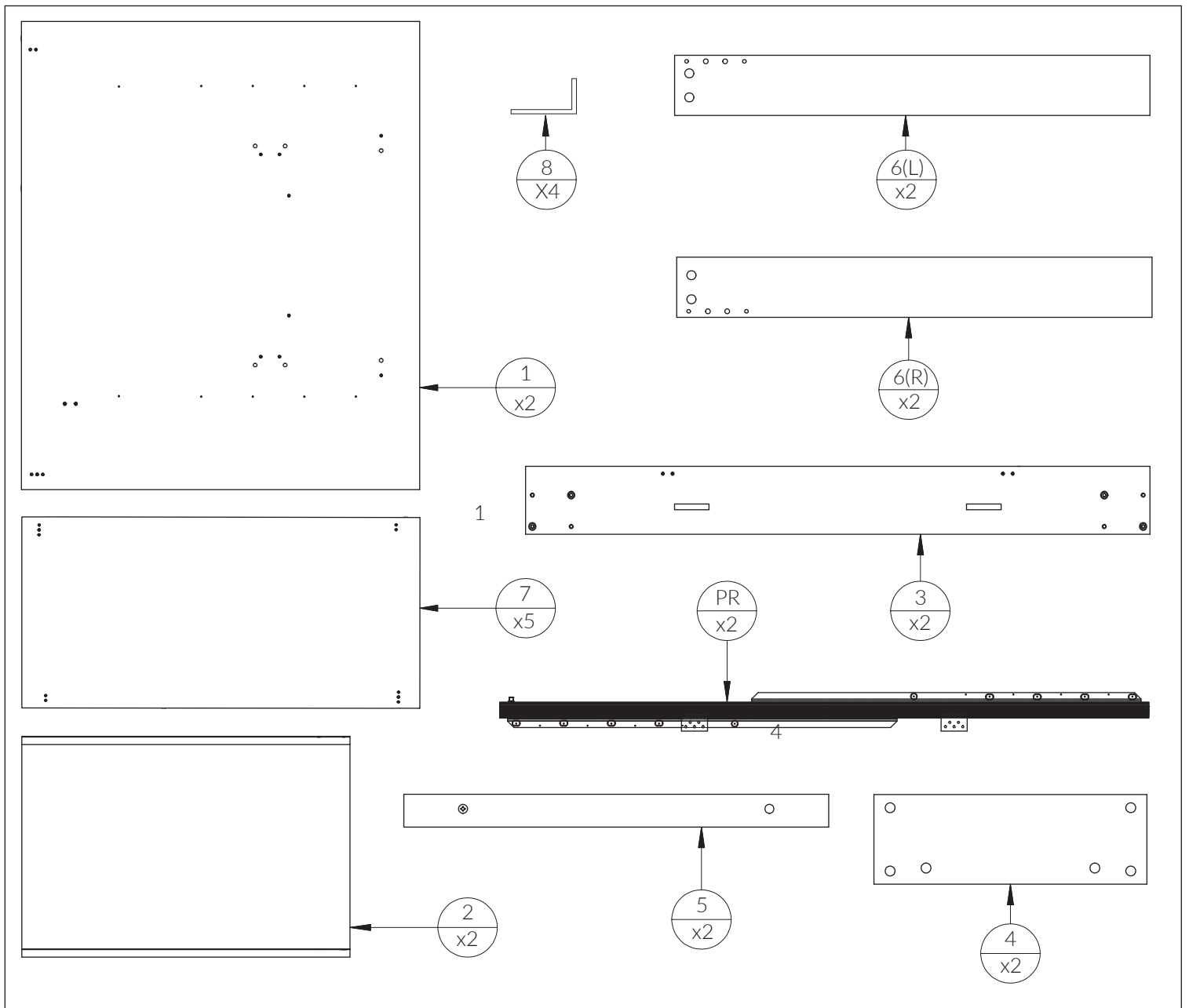
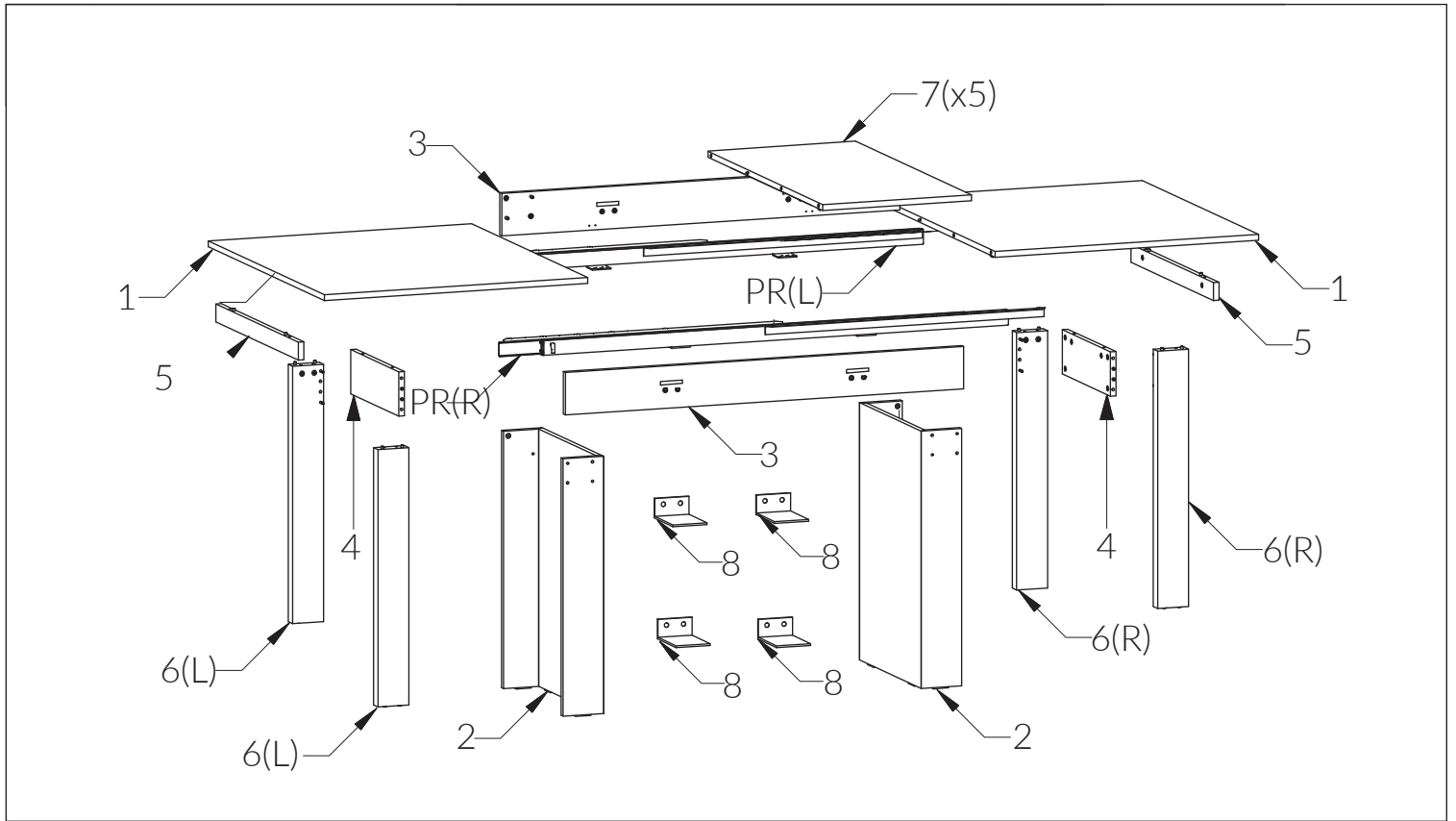
MAGRO

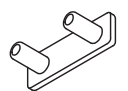
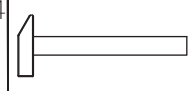
26 - 02/2024

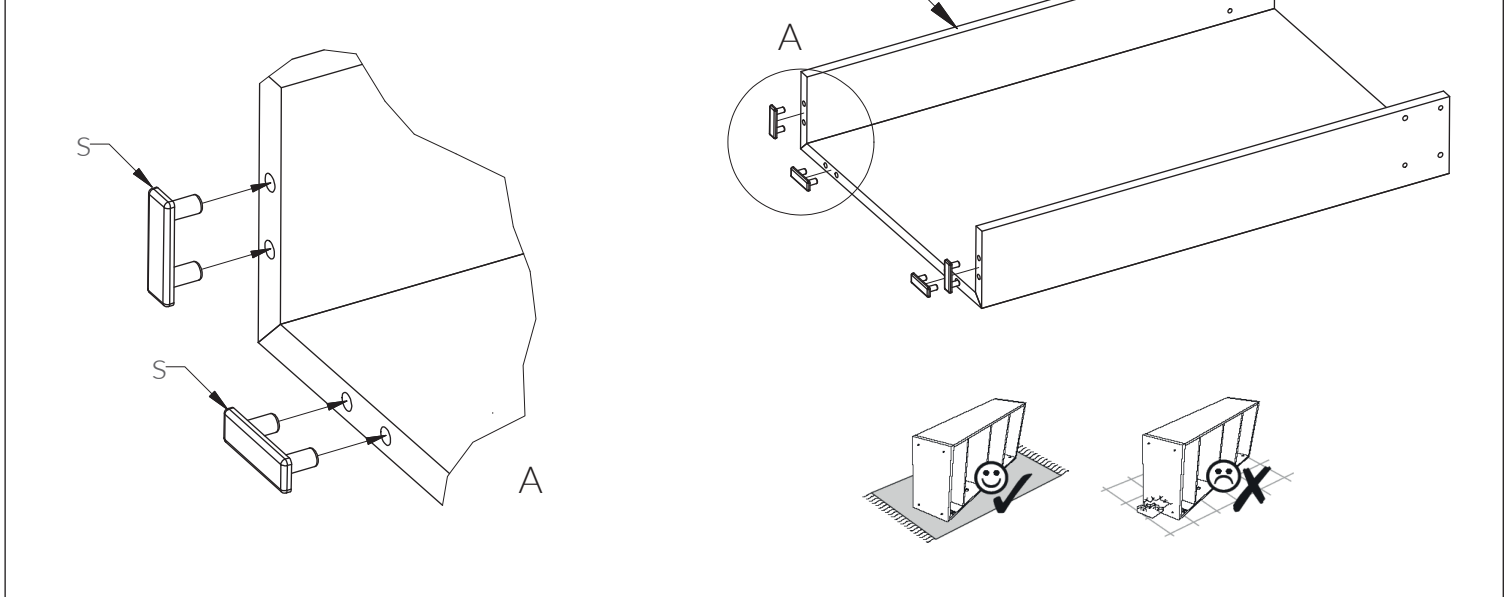




s25 m6x25	x8s16 m6x16	x8l 7,5x30	x28t L-24	x24
ko 	x8s16 m5x16	x8 	x8m 	x24
km 	x4z4 	x1w16 3,5x16	x16p5 Ø5x10	x4ew5 5x13
			x8p5 m5	x36

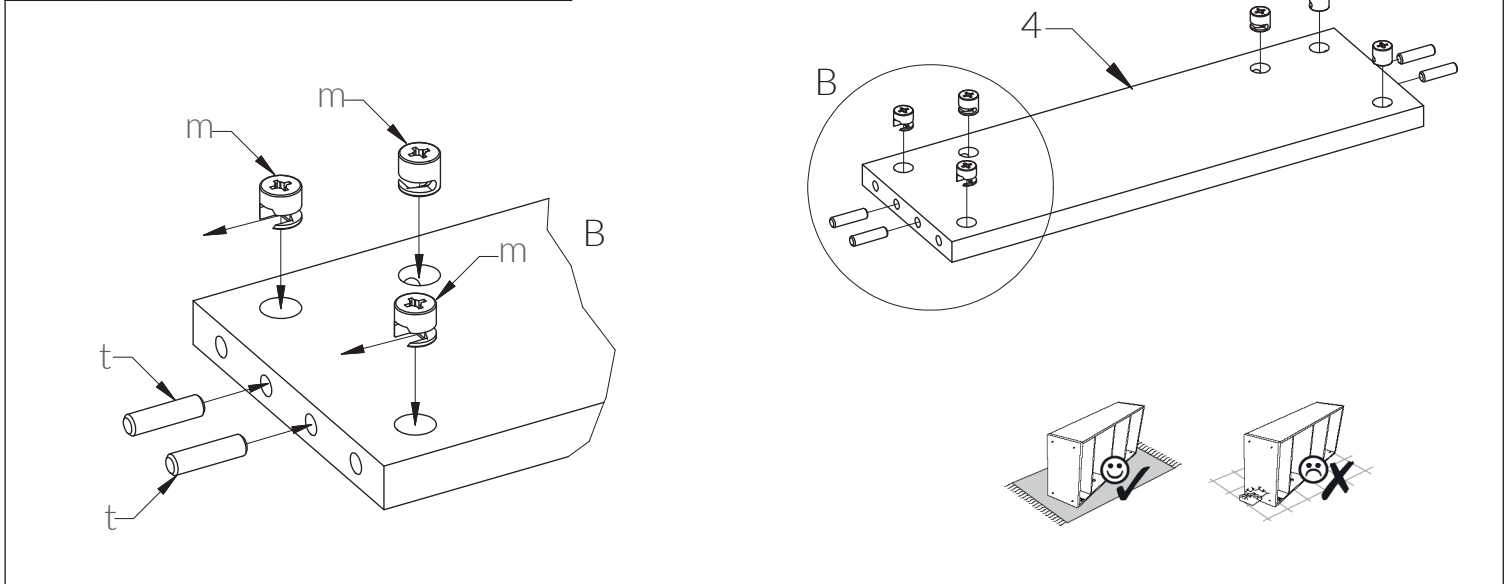
zz 	x12z 	x12w16 3,5x16	x48
--------	----------	----------------------	---------



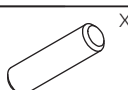
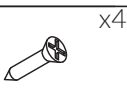
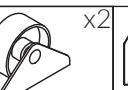
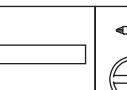


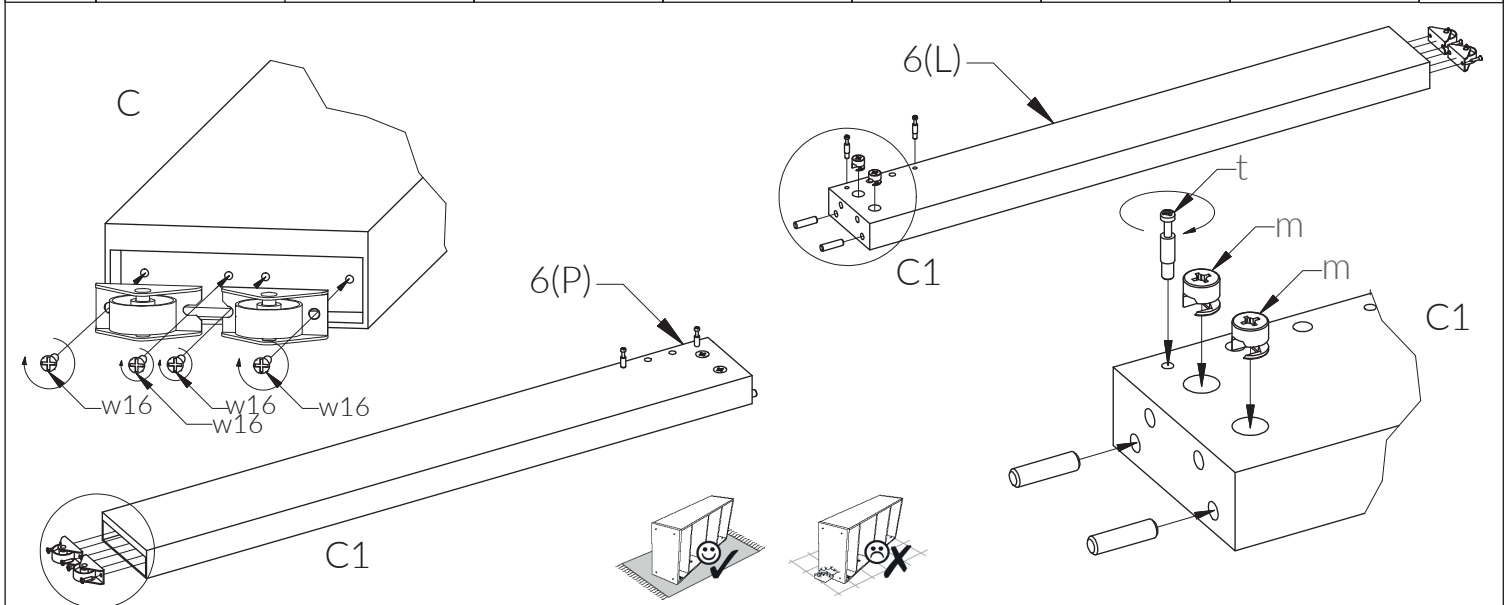
1	 x4	 x2
---	---	---

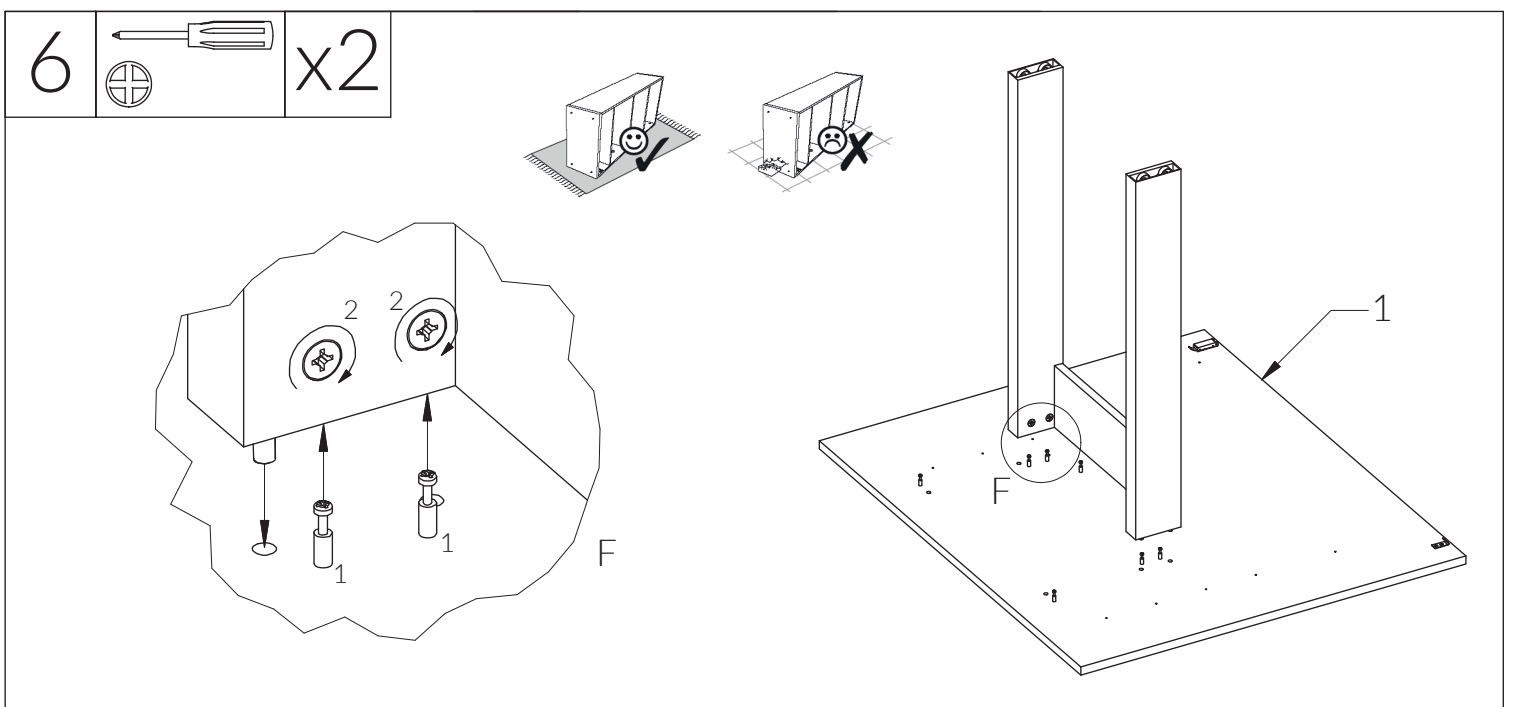
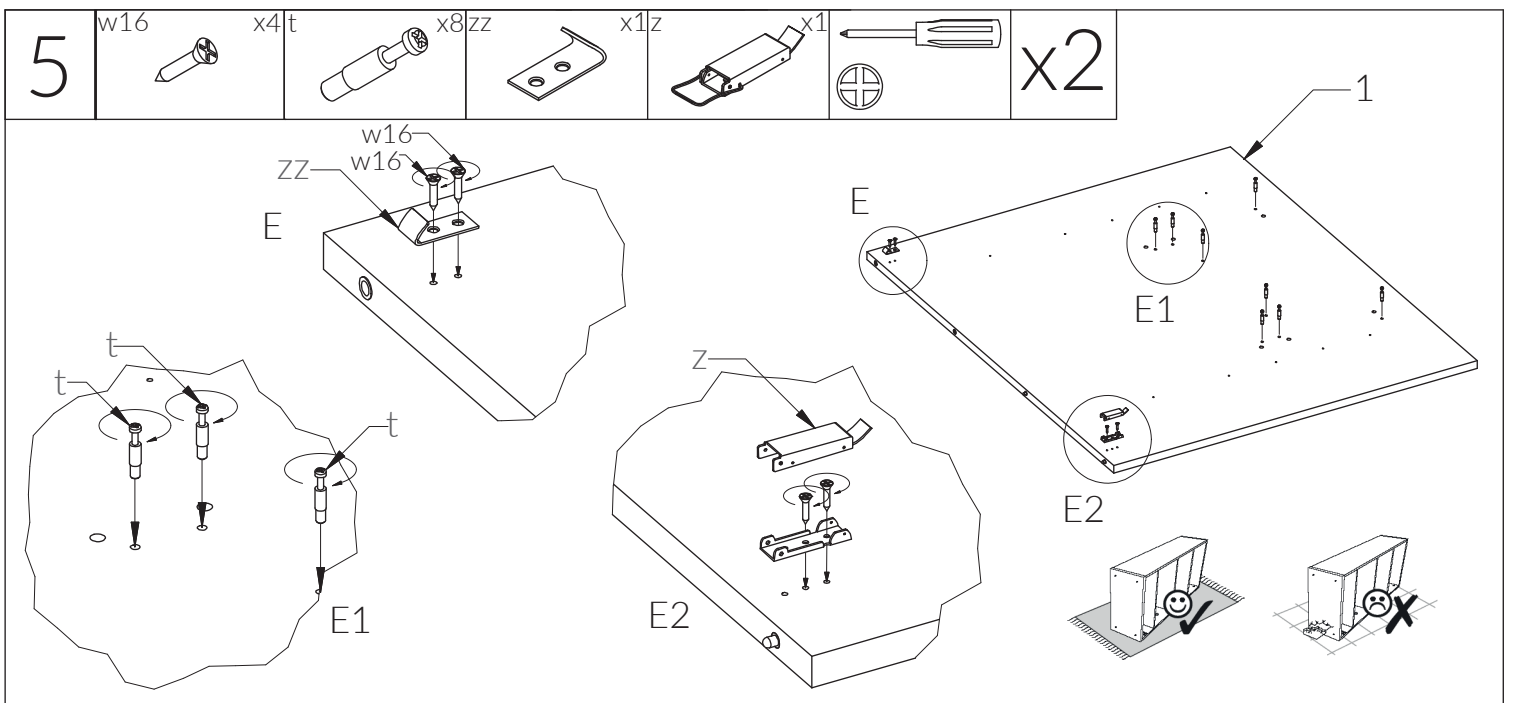
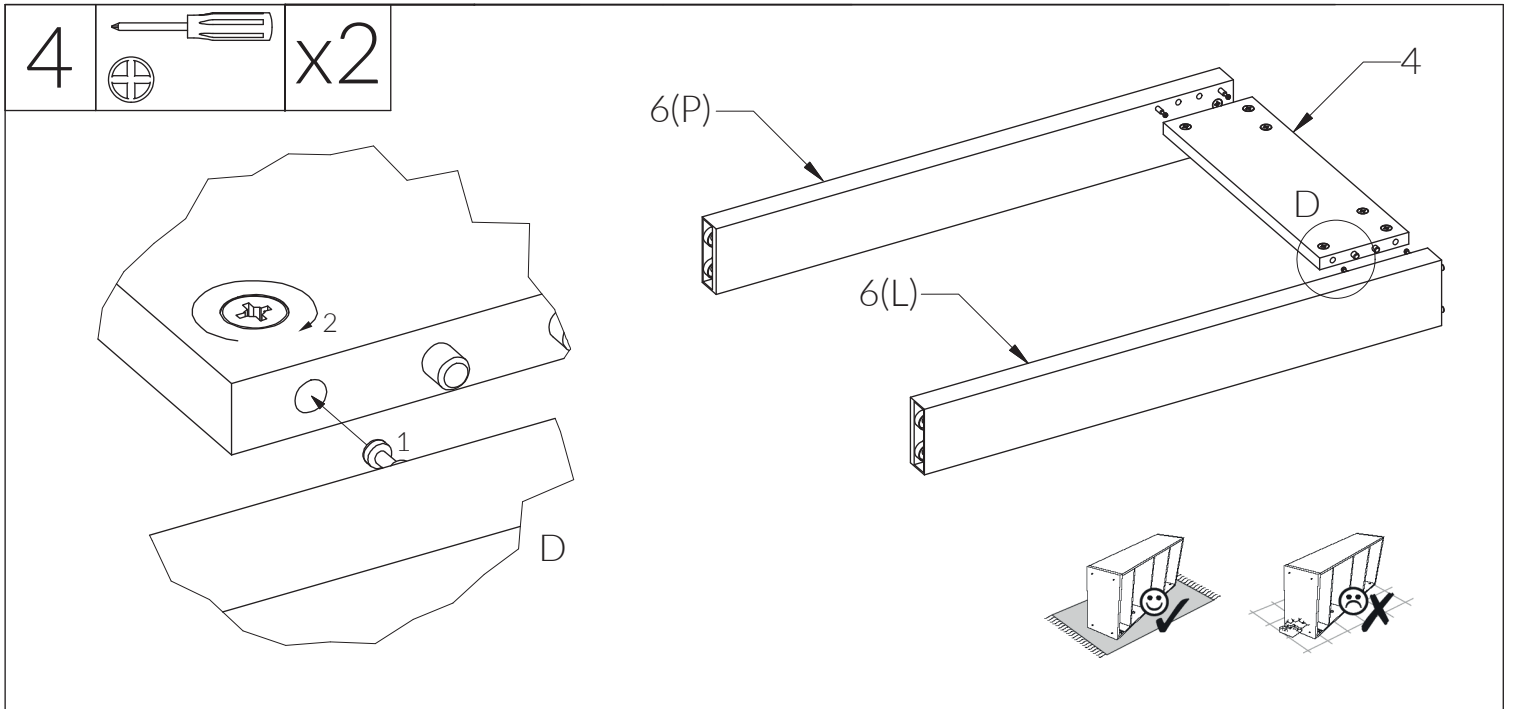


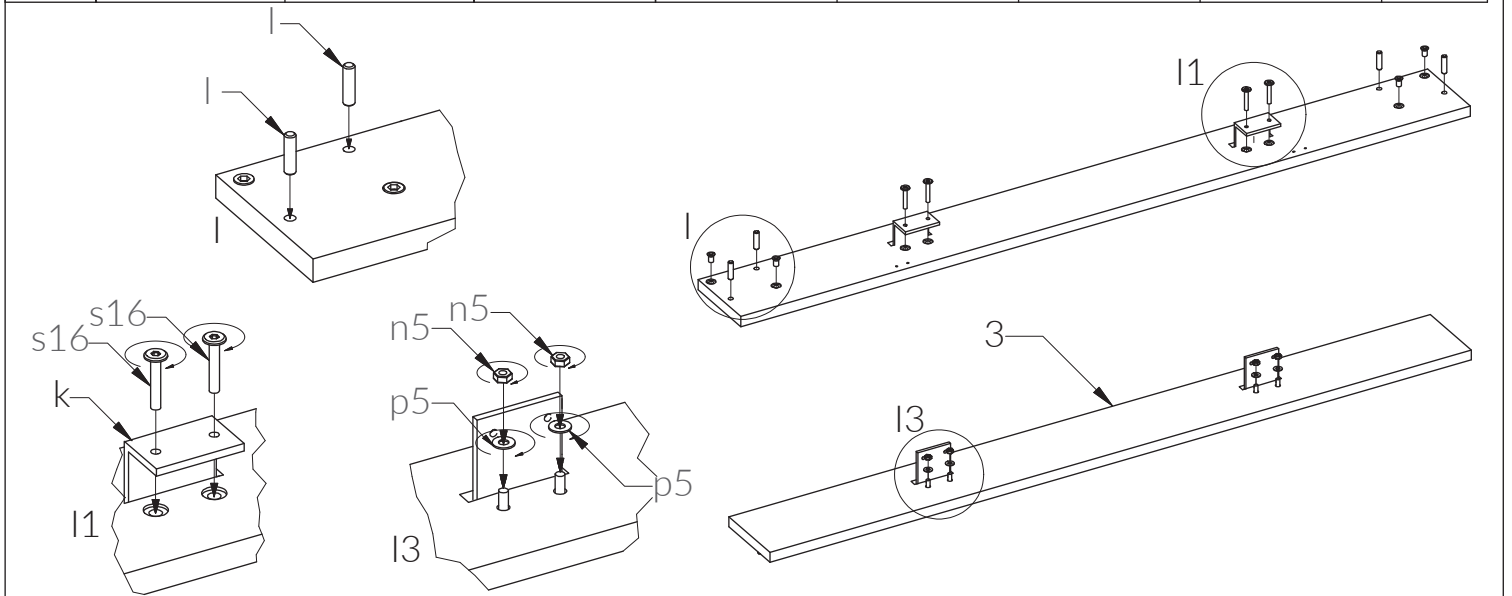
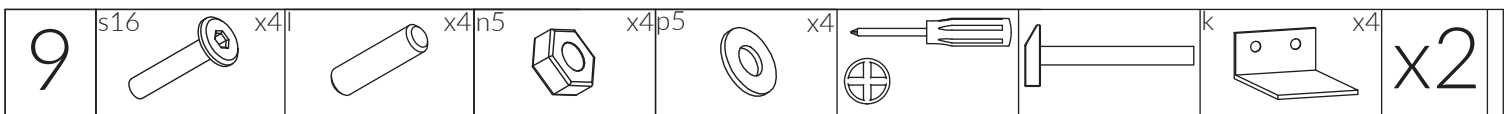
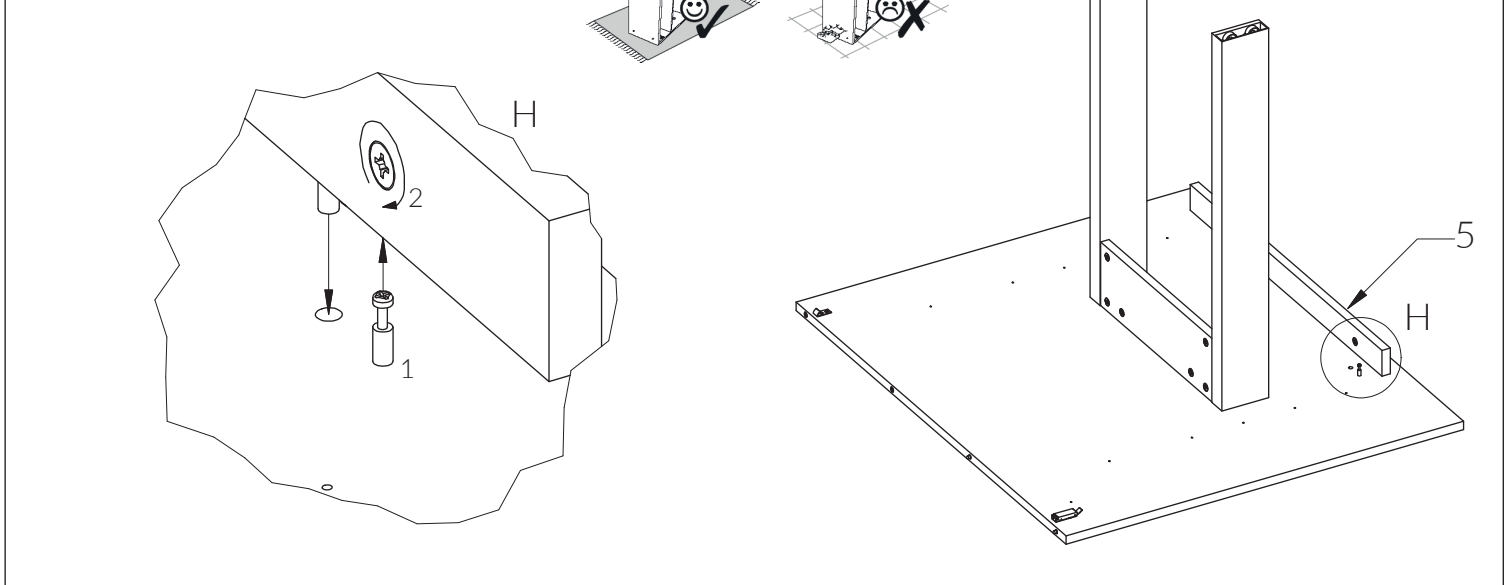
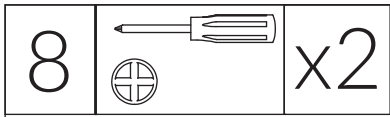
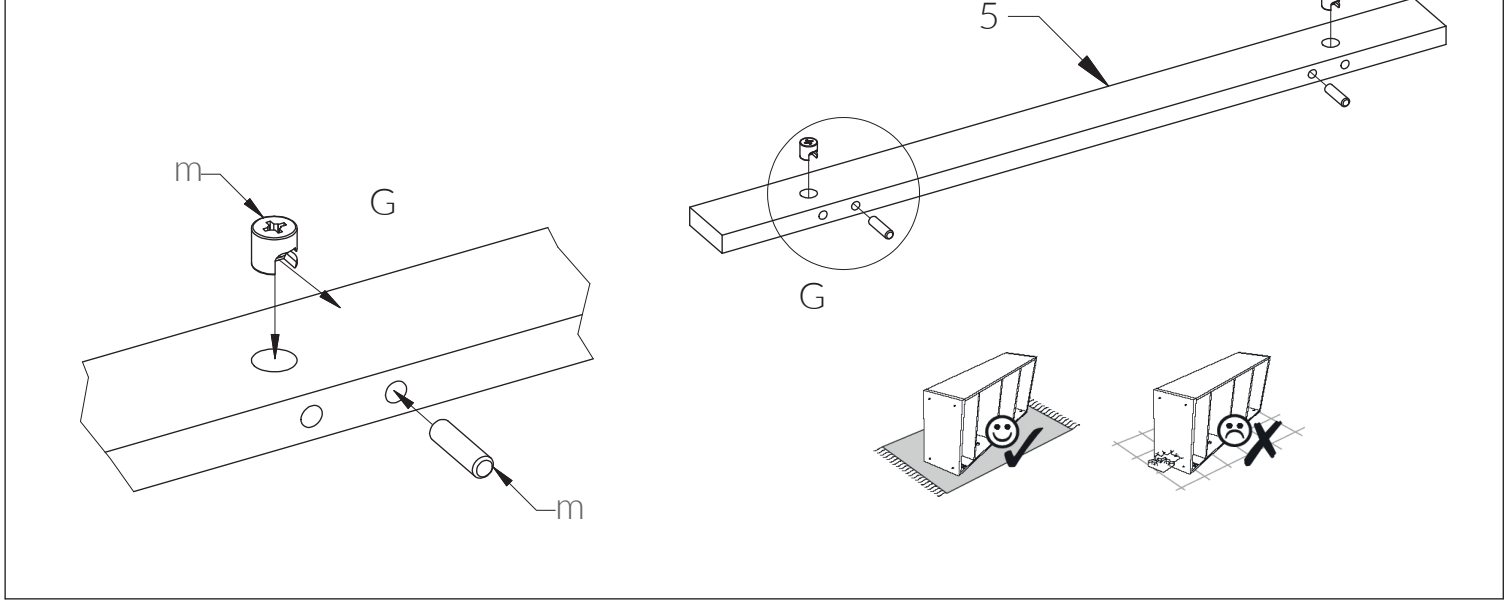
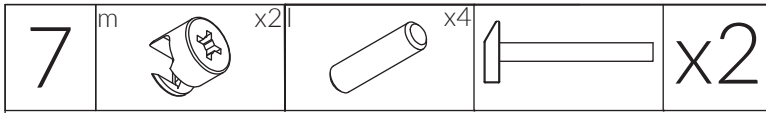
2	 x6	 x4	x2
---	--	--	----

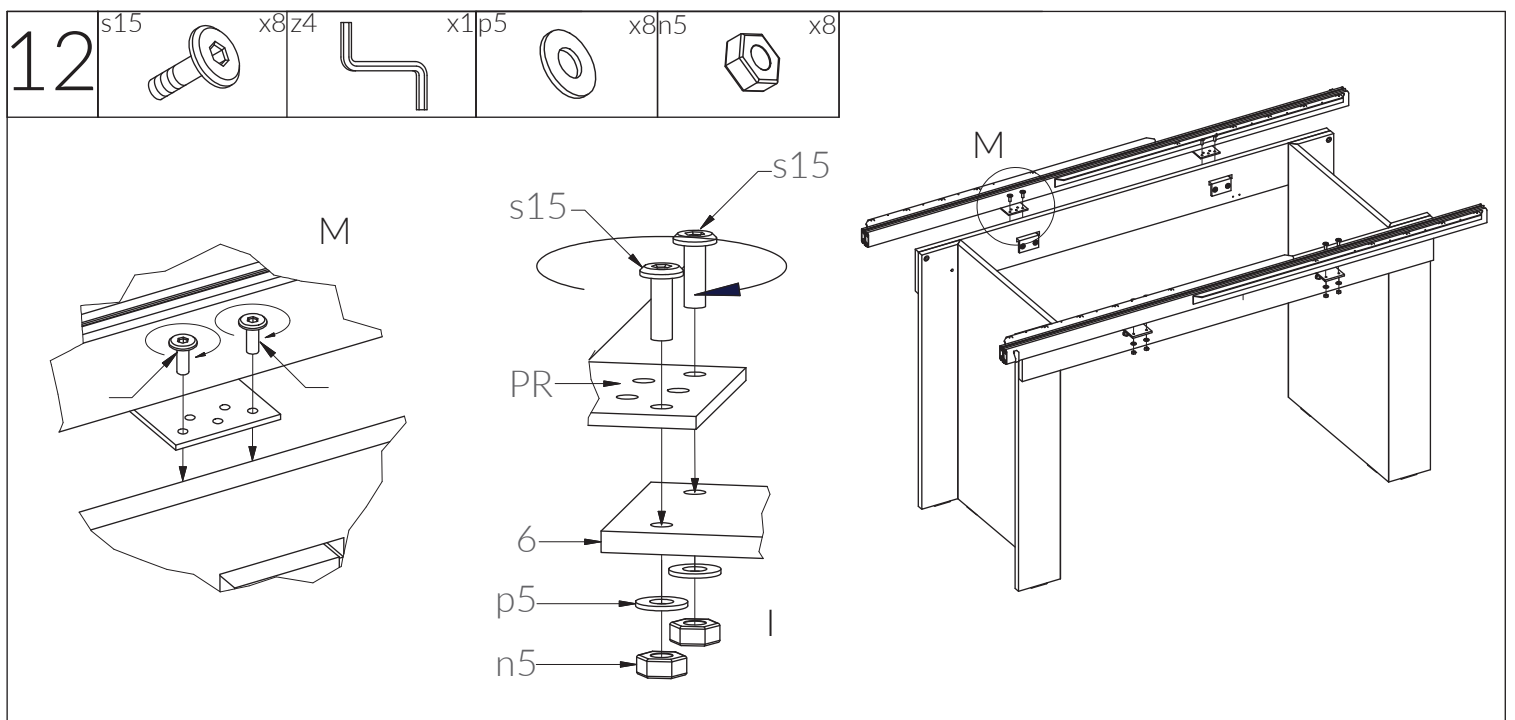
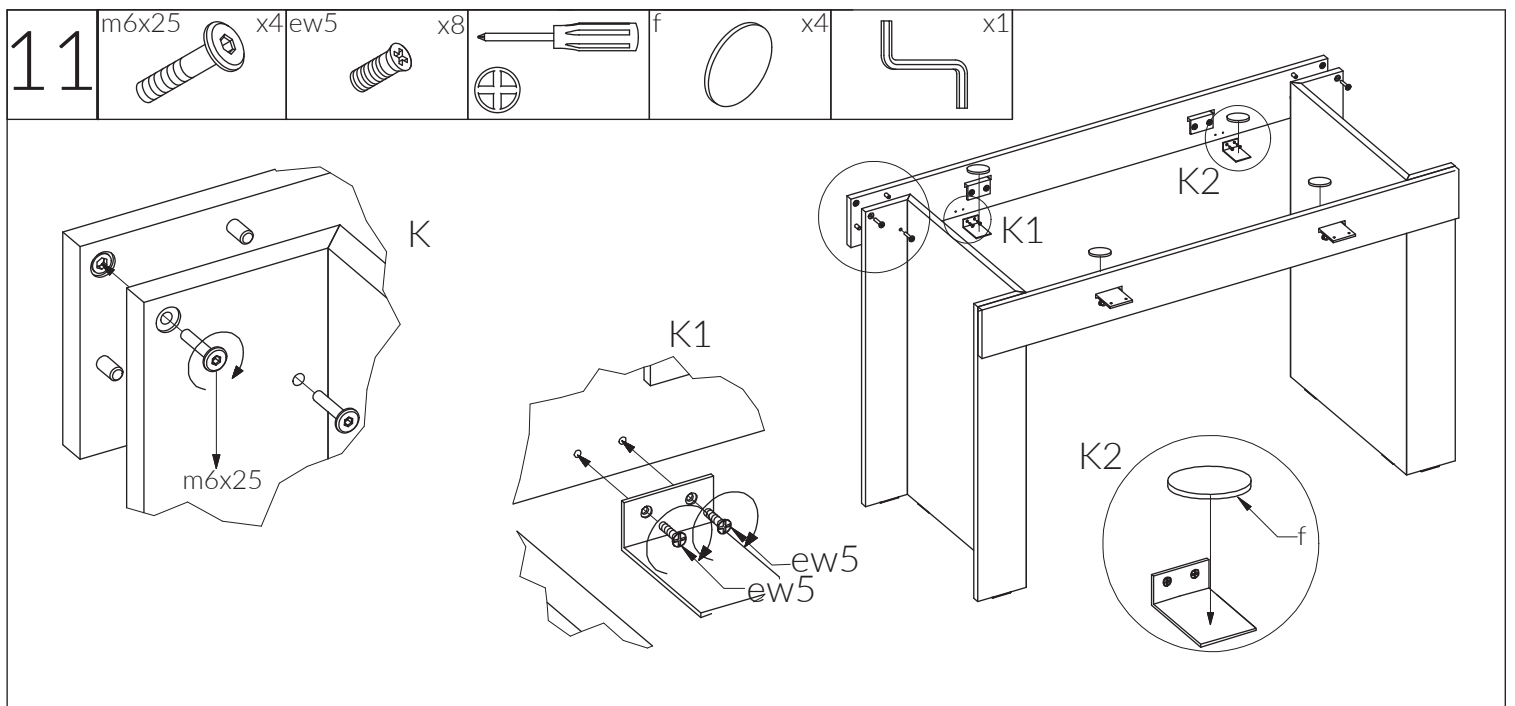
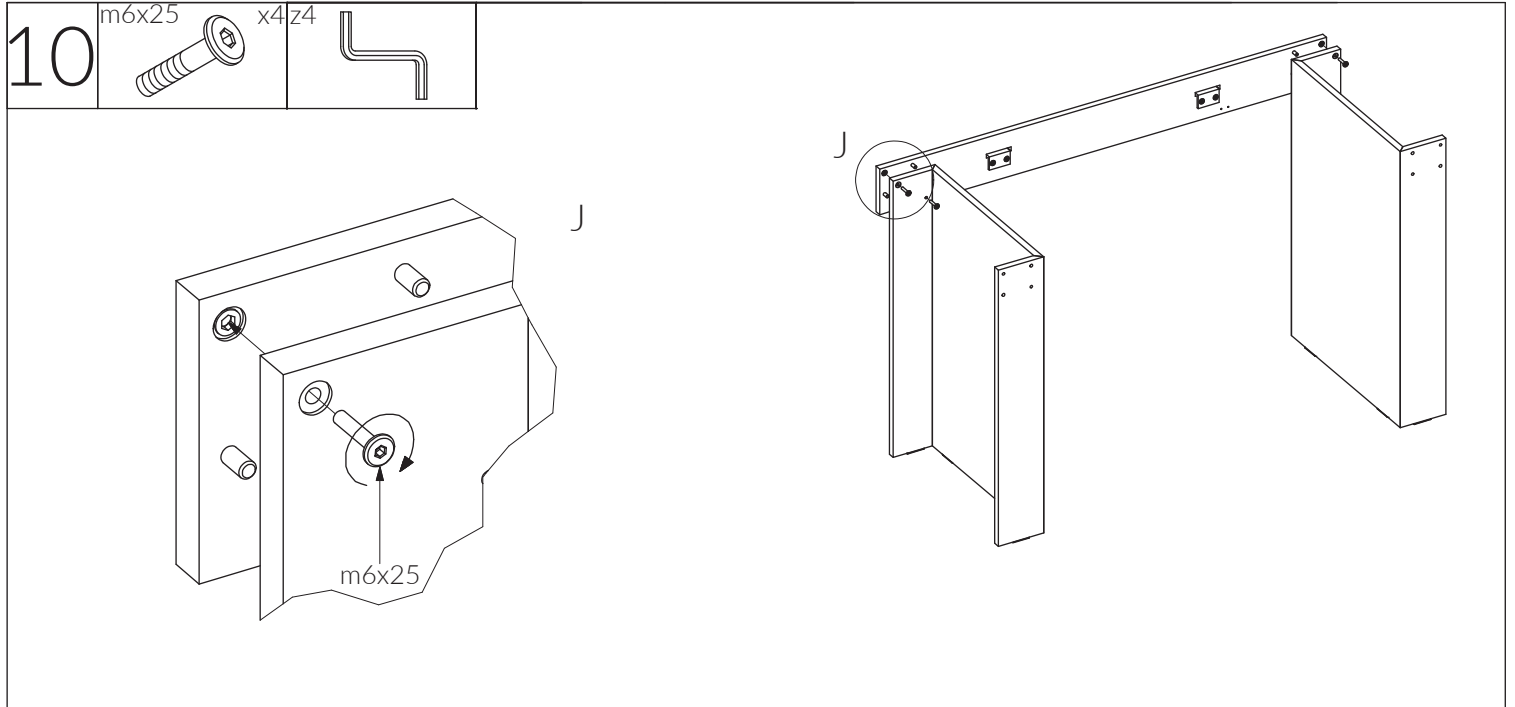


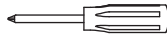
3	 x4	 x2	 x4	 x2	 x2	 x4
---	--	--	--	--	---	--

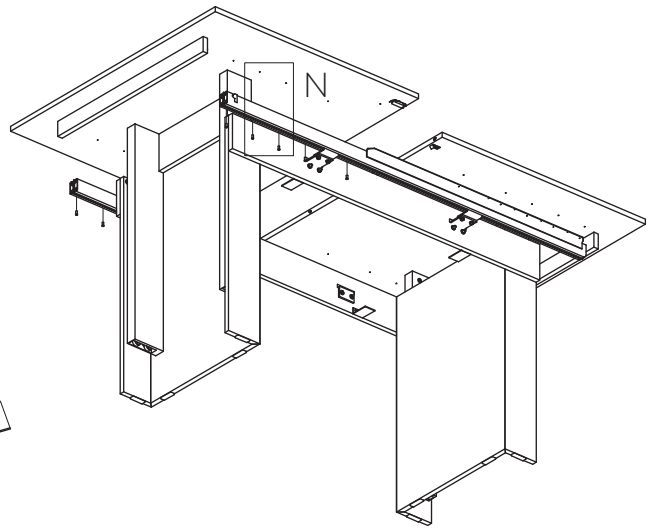
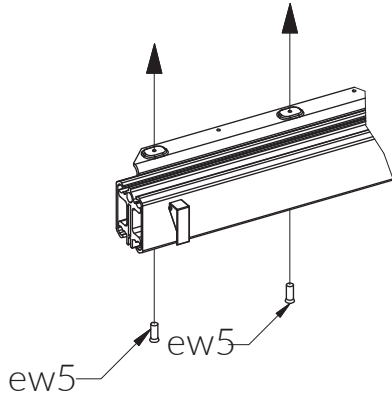
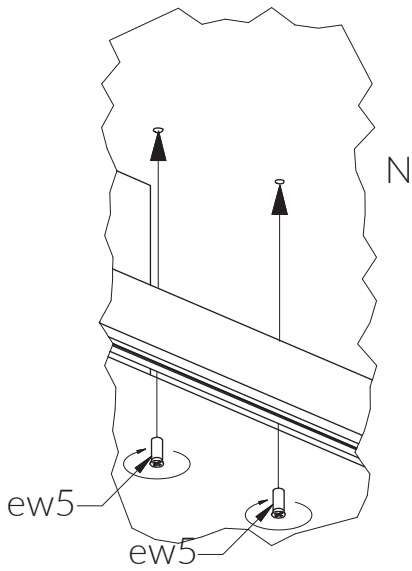




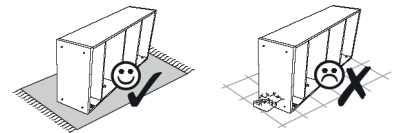
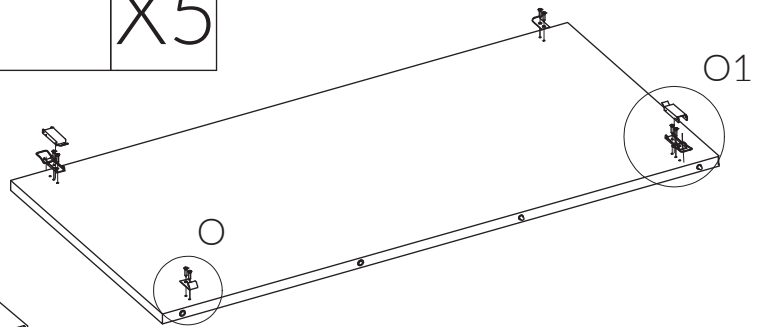
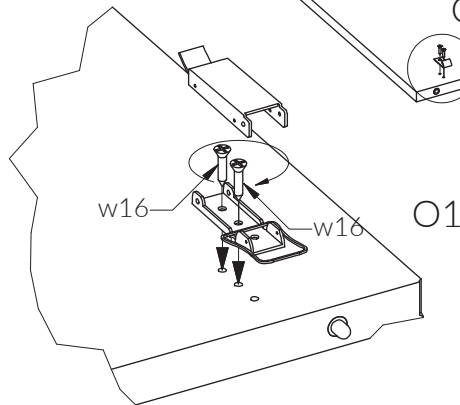
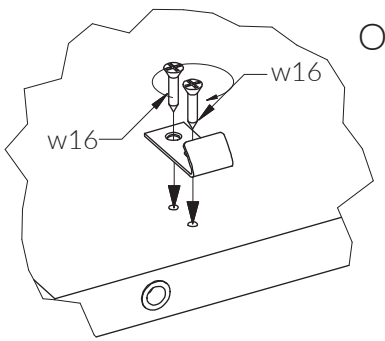




13 ew5 x20  x2



14 w16 x8zz x2zz x2  X5



15

