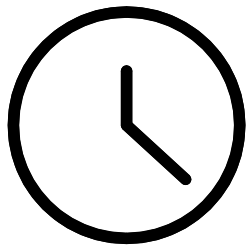
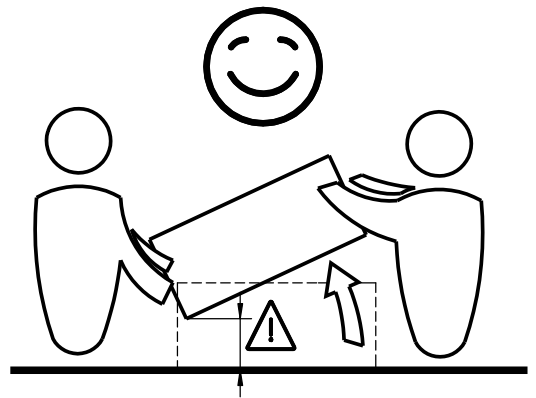
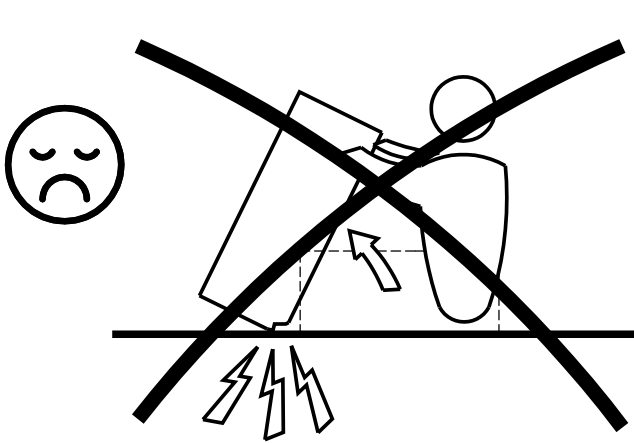
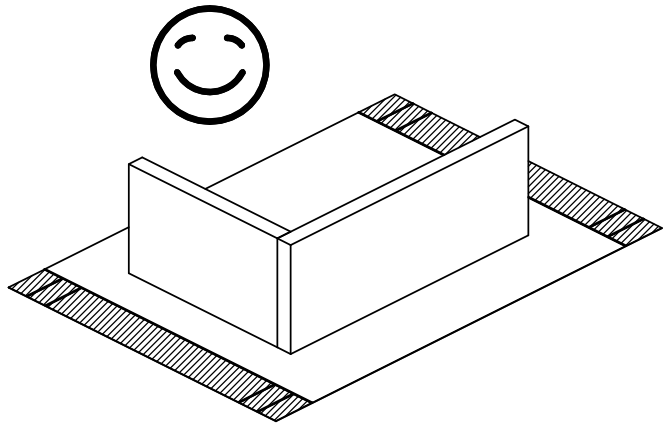
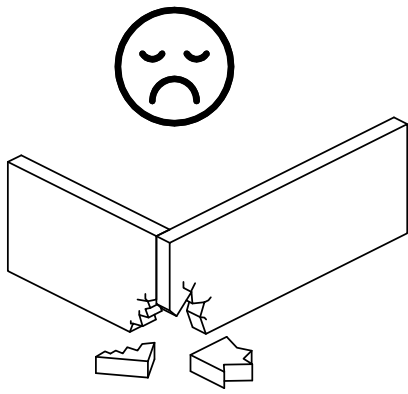
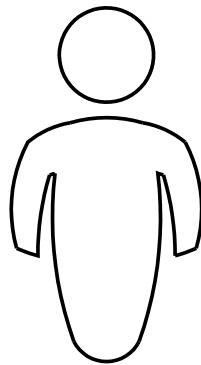


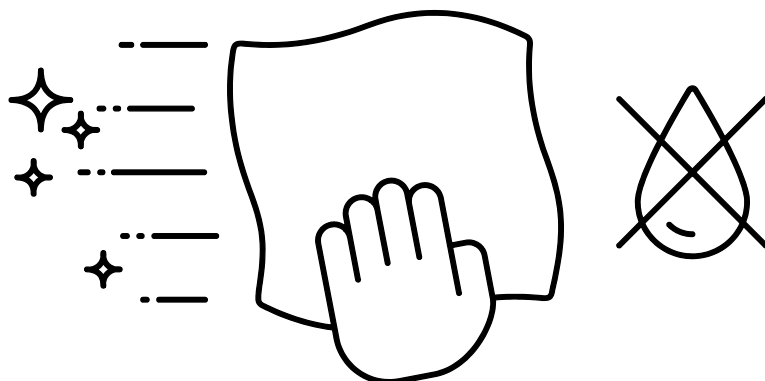
tvilum

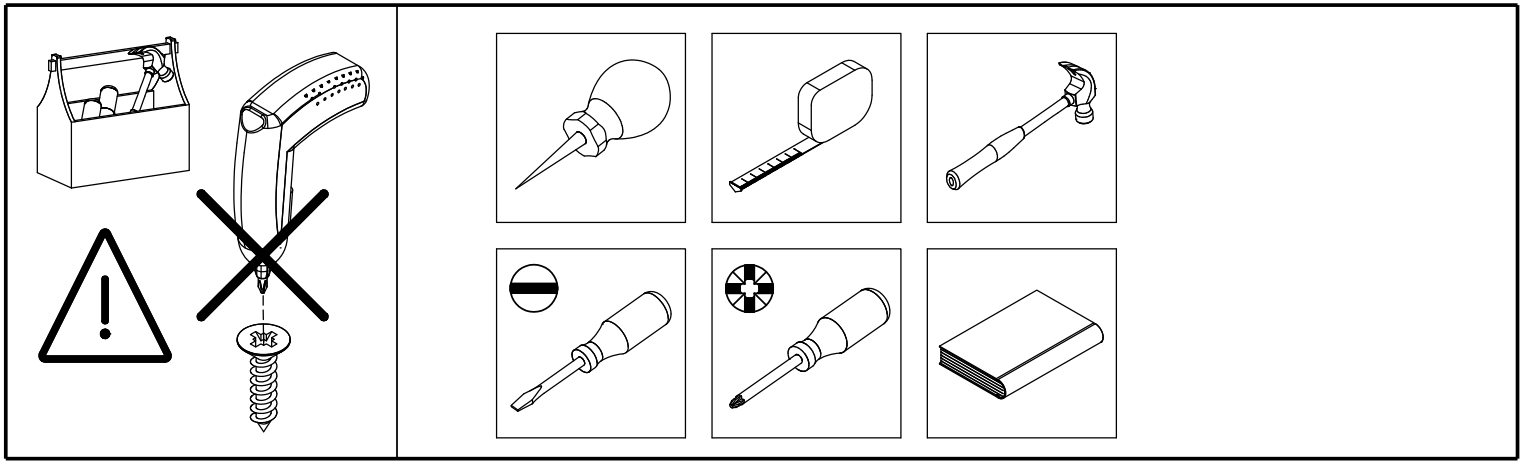


3-4 hr

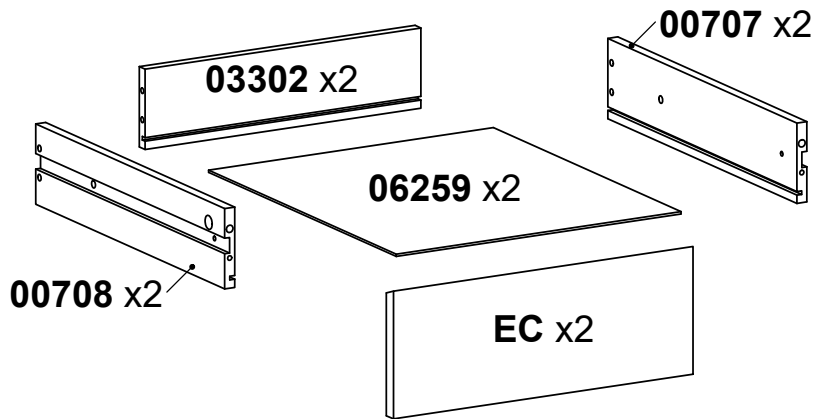
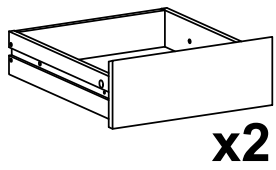
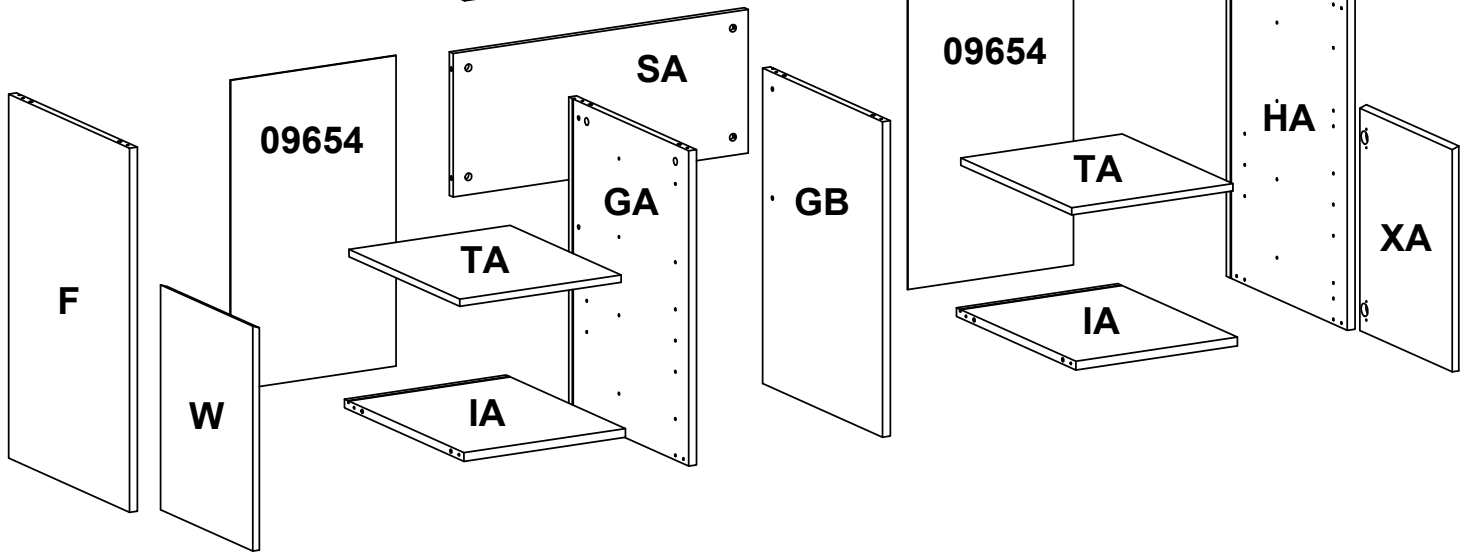
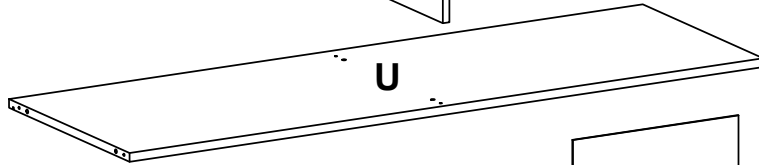
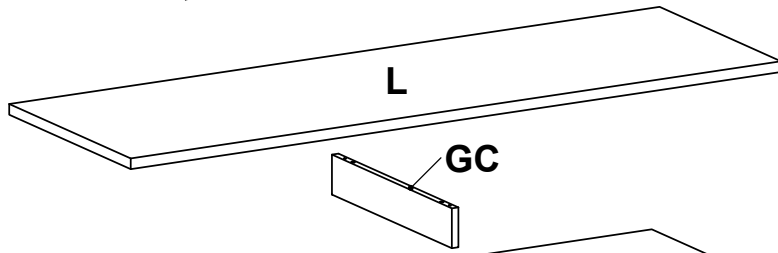
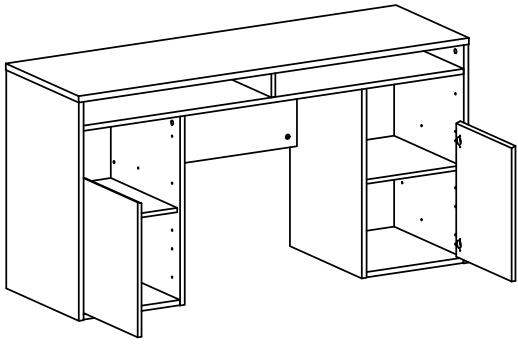


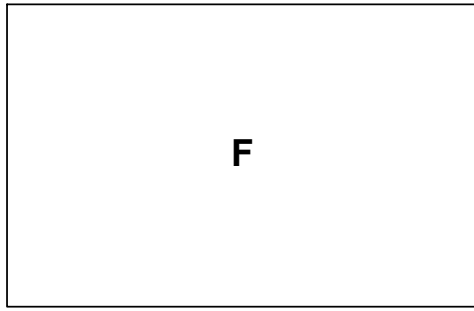
x2



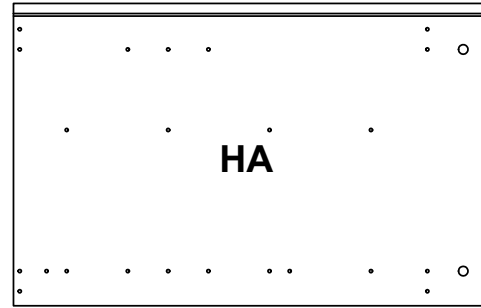


<p>0110401 x16</p> <p>0.59x0.55x0.39" 15x14x10 mm</p>	<p>0110901 x1</p> <p>Ø0.87x0.02" Ø22x0,5 mm</p>	<p>0111042 x8</p> <p>0.83x0.76x0.47" 21x19,3x12 mm</p>	<p>0120203 x28</p> <p>Ø0.2x1.18" Ø5x30 mm</p>	<p>0120228 x8</p> <p>Ø0.25x1.57" Ø6,3x40 mm</p>
<p>0125233 x8</p> <p>Ø0.14x0.59" Ø3,5x15 mm</p>	<p>0125610 x2</p> <p>Ø0.28x1.97" Ø7x50 mm</p>	<p>0126020 x8</p> <p>Ø0.23x0.35" Ø5,8x9 mm</p>	<p>0126071 x8</p> <p>Ø0.27x0.31" Ø6,9x8 mm</p>	<p>0126211 x4</p> <p>M4x0.28" M4x7 mm</p>
<p>0126214 x4</p> <p>M4x0.35" M4x9 mm</p>	<p>0131513 x26</p> <p>Ø0.30x1.73/1.34" Ø7,5x44/34 mm</p>	<p>0131561 x4</p> <p>Ø0.28x2.02" Ø7x51,3 mm</p>	<p>0131687 x30</p> <p>Ø0.59x0.37" Ø15x9,5 mm</p>	<p>0141417 x4</p> <p>0.67x12.20/15.75" 17x310/400 mm</p>
<p>0150491 x4</p> <p>2.01x1.57x0.35" 51x40x9 mm</p>	<p>0152292 x4</p> <p>Ø1.02-3.61x1.97x1" Ø26-91,7x50x25,2 mm</p>	<p>0163001 x8</p> <p>Ø0.47x0.16" Ø12x4 mm</p>	<p>0196203 x2</p> <p>Ø0.28x0.06" Ø7x1,5 mm</p>	<p>0197642 x1</p> <p>0.16x1.93x1.46" 4x49x37 mm</p>

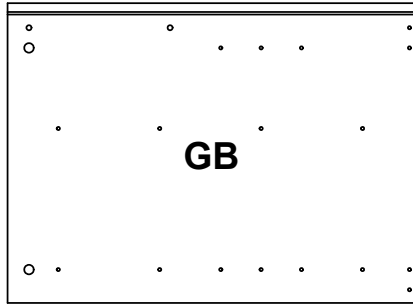




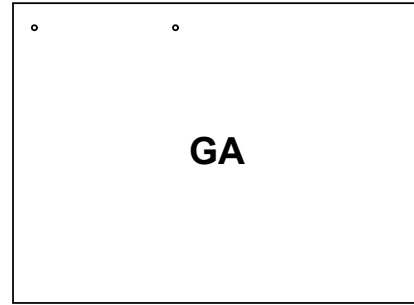
748x480x18mm



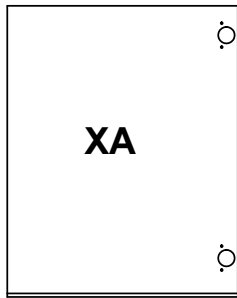
748x480x18mm



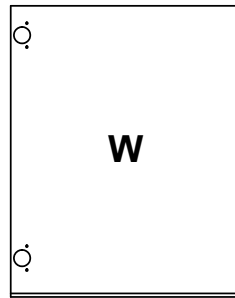
648x476x18mm



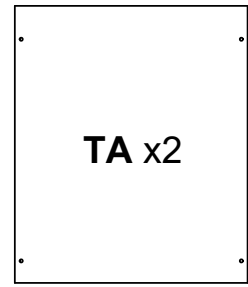
648x476x18mm



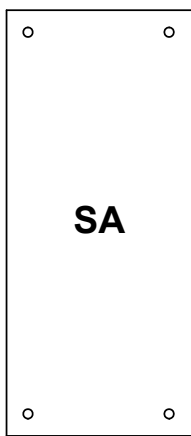
462x366x15mm



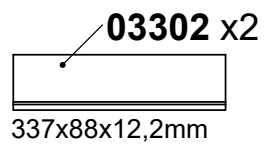
462x366x15mm



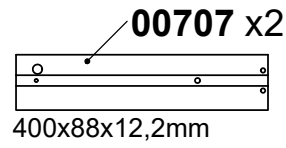
369,5x440x15mm



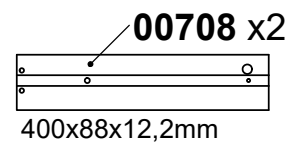
676x295x15mm



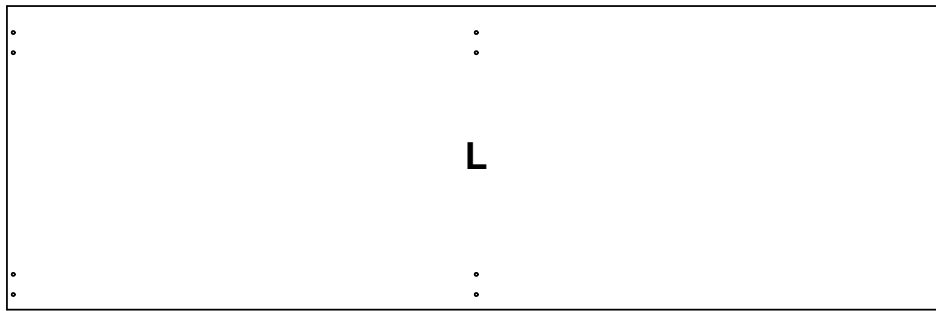
337x88x12,2mm



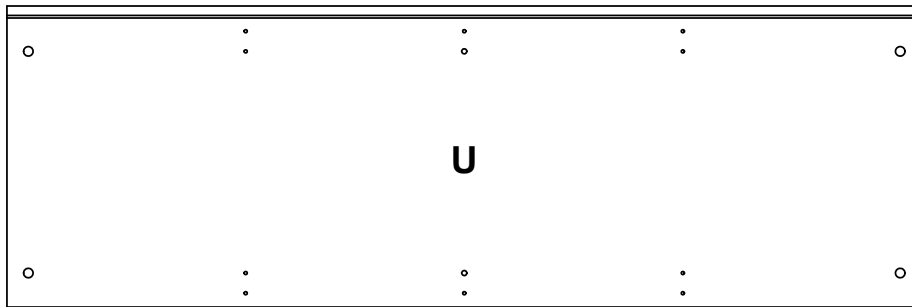
400x88x12,2mm



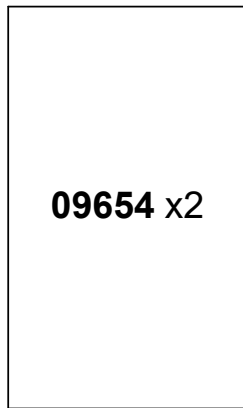
400x88x12,2mm



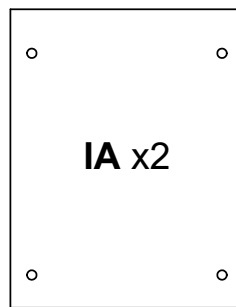
1490x482x22mm



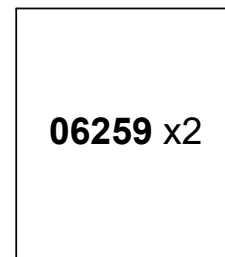
1452x478x18mm



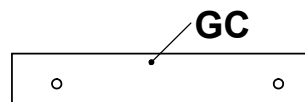
638x379x2,5mm



370x474x18mm



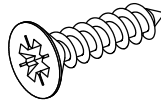
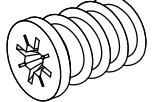
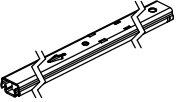
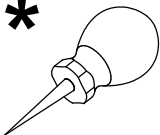
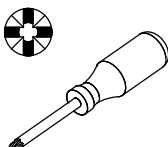
348x397x2,5mm

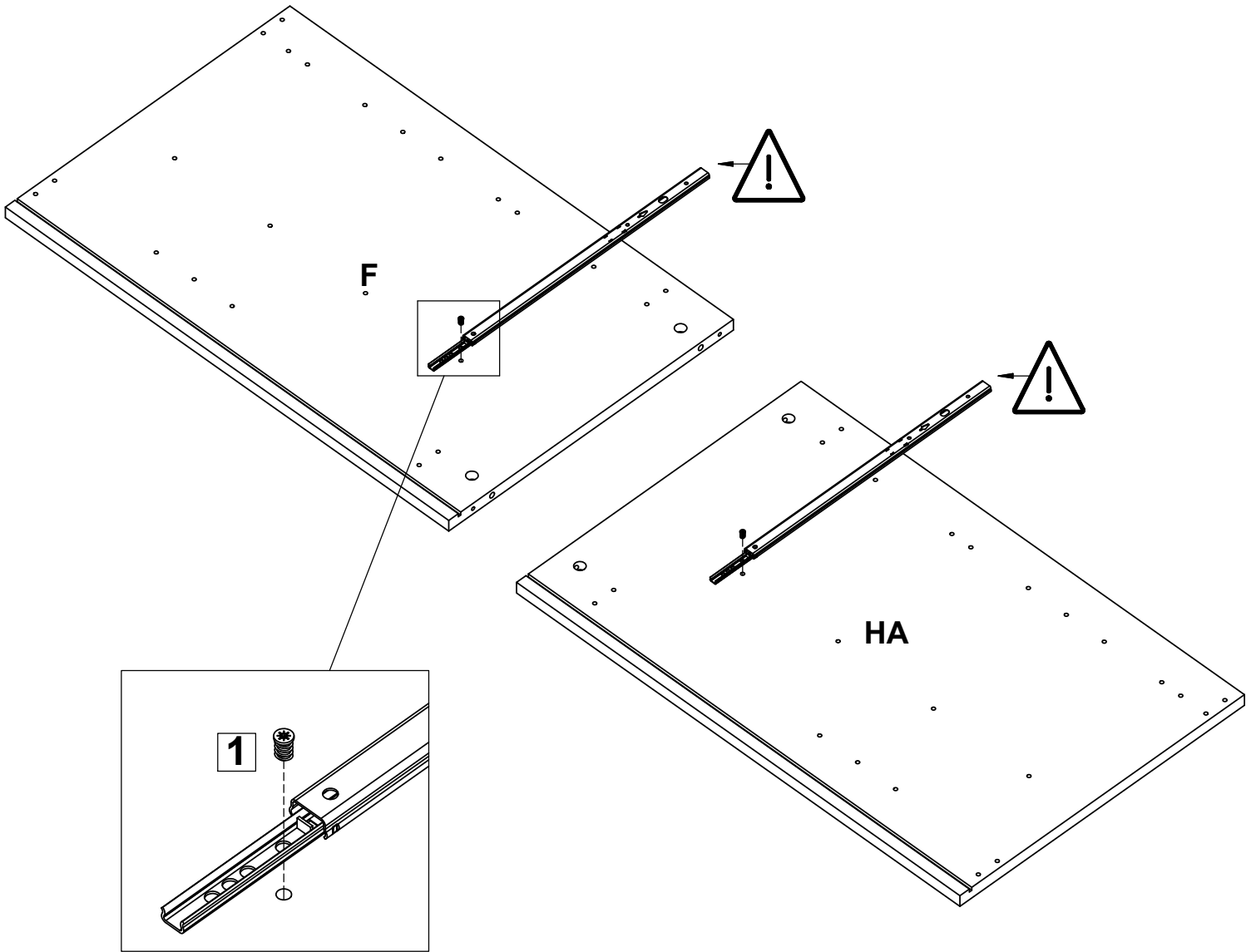
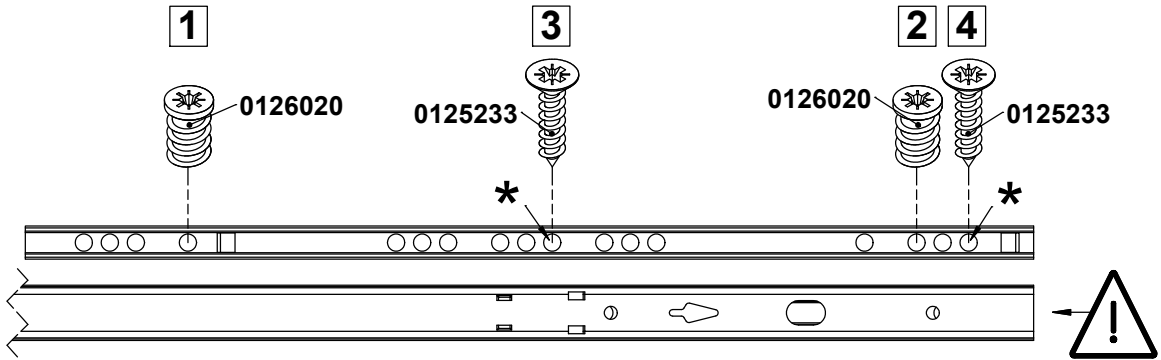



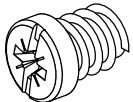
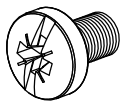
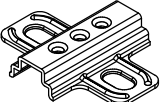
82x476x15mm

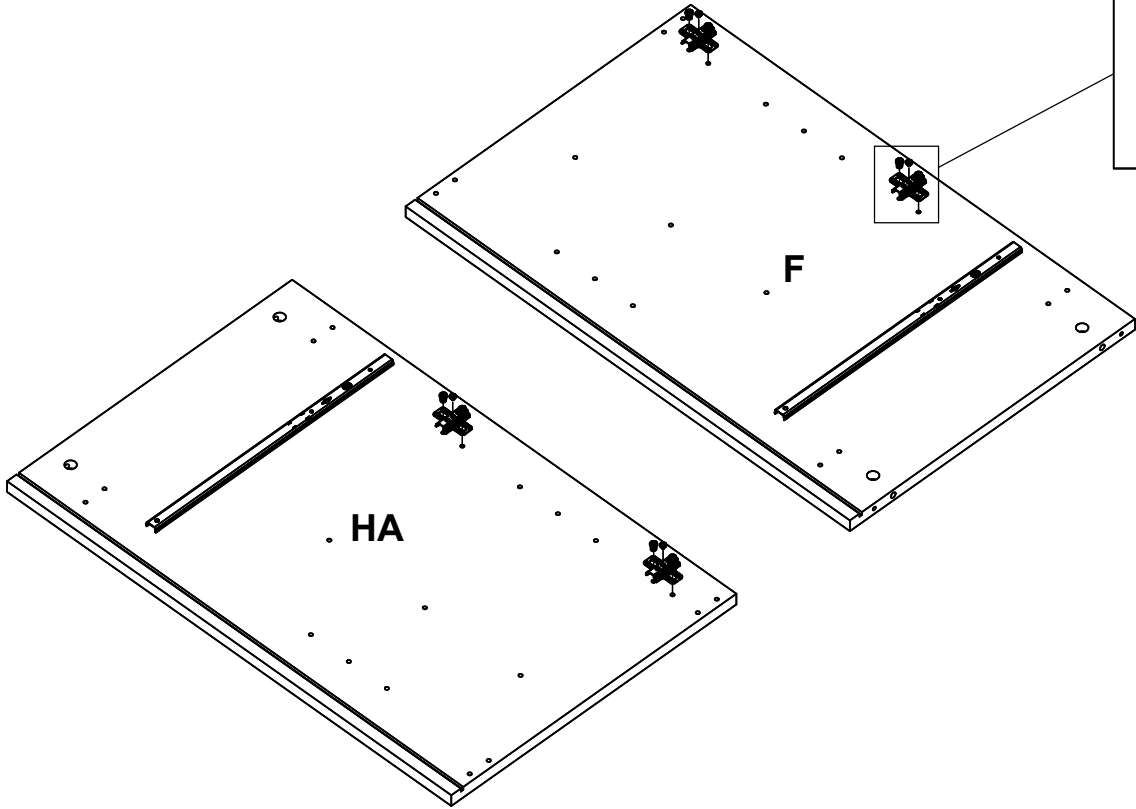
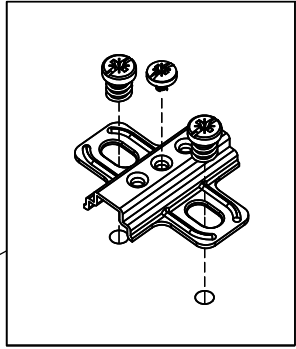




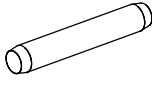
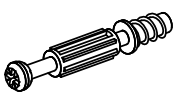
366x140x15mm

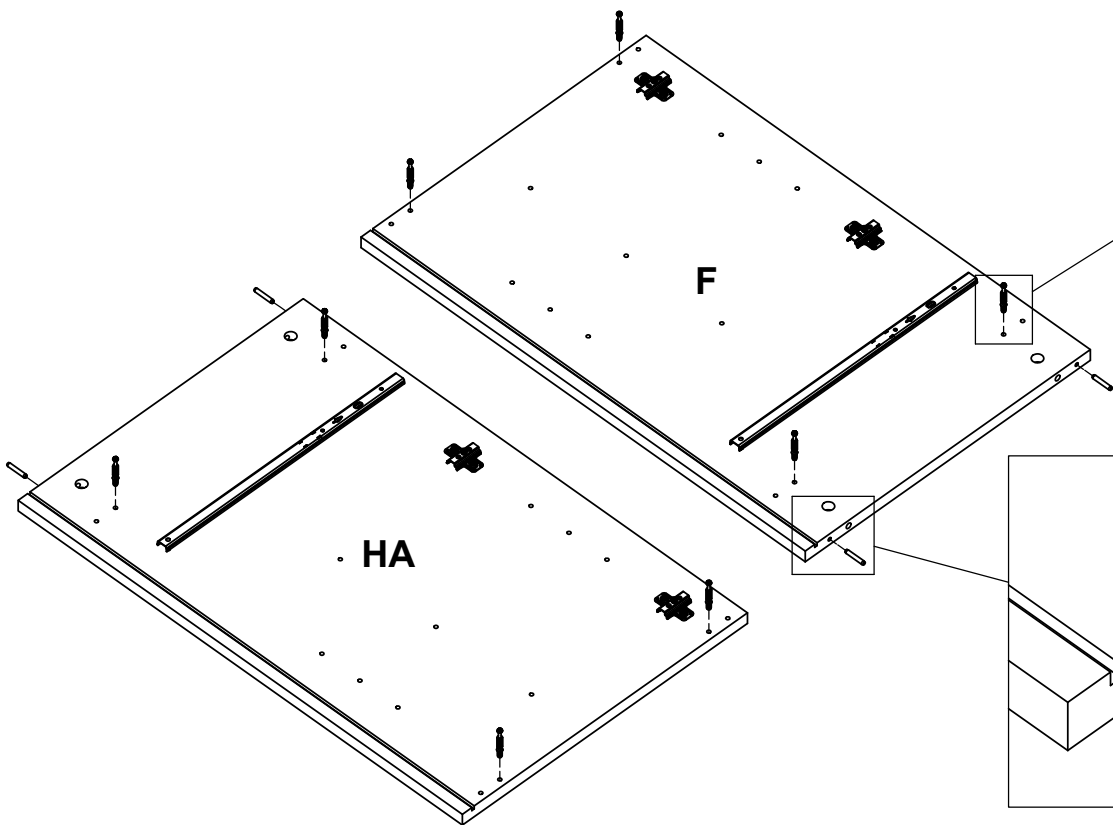
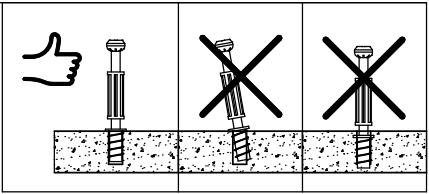
1	<p>0125233 x4</p>  <p>Ø0.14x0.59" Ø3,5x15 mm</p>	<p>0126020 x4</p>  <p>Ø0.23x0.35" Ø5,8x9 mm</p>	<p>0141417 x2</p>  <p>0.67x12.20/15.75" 17x310/400 mm</p>	<p>*</p> 	
----------	---	--	--	--	---



2	0126071	x8	0126211	x4	0150491	x4	
		$\varnothing 0.27 \times 0.31''$ $\varnothing 6,9 \times 8$ mm		M4x0.28'' M4x7 mm		2.01x1.57x0.35'' 51x40x9 mm	



3	0120203	x4	0131513	x8		
		$\varnothing 0.2 \times 1.18''$ $\varnothing 5 \times 30$ mm		$\varnothing 0.30 \times 1.73 / 1.34''$ $\varnothing 7,5 \times 44 / 34$ mm		

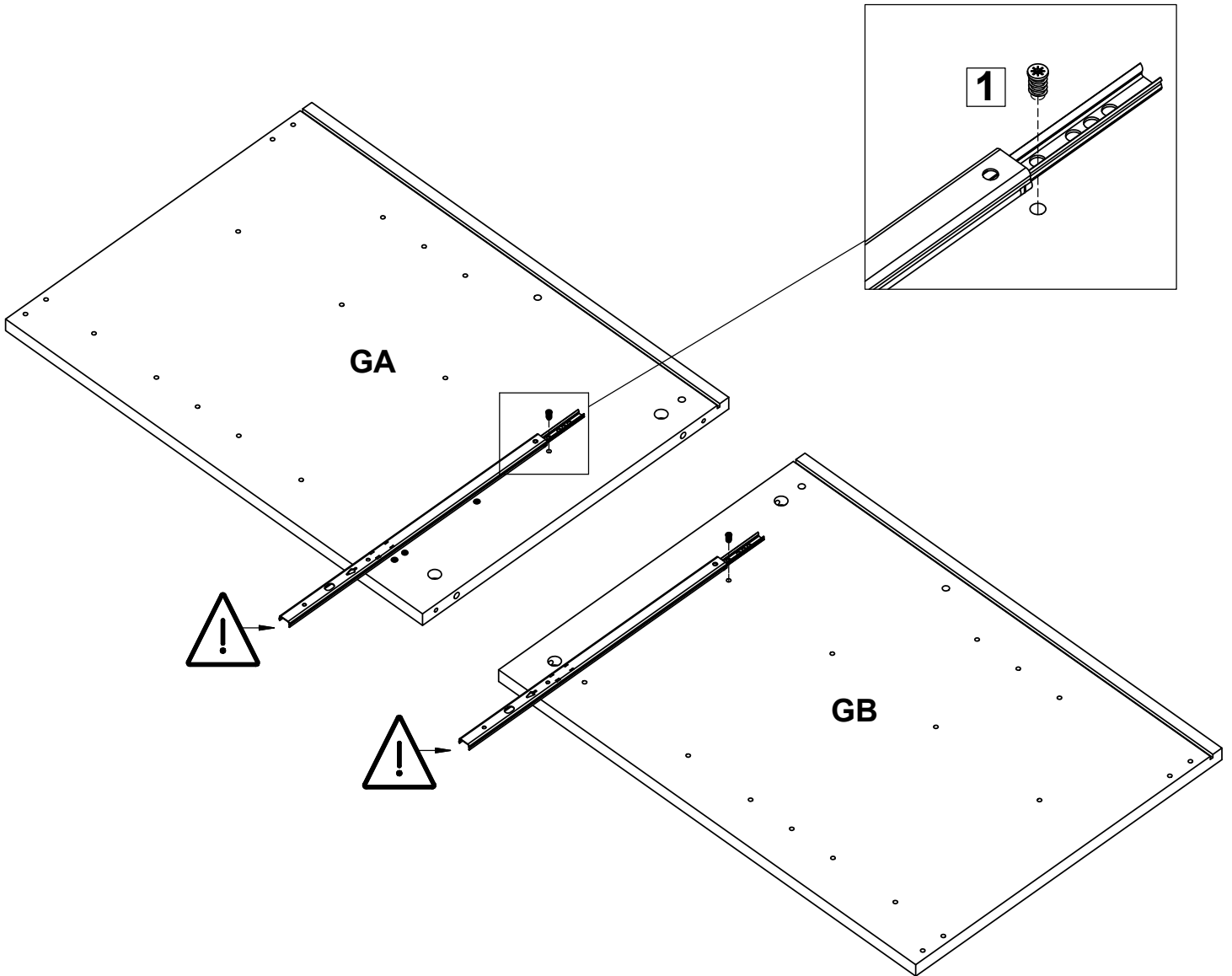
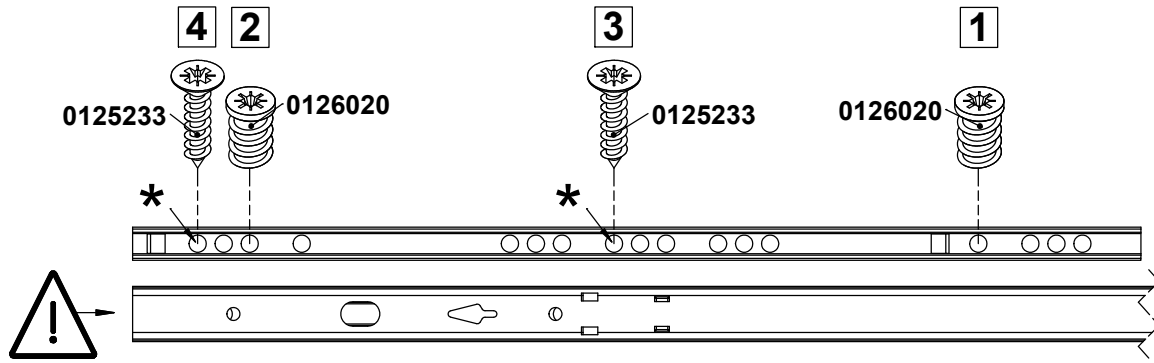
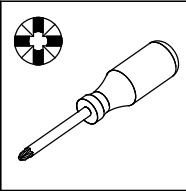
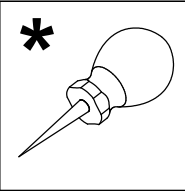


4

0125233 x4
Ø0.14x0.59"
Ø3,5x15 mm

0126020 x4
Ø0.23x0.35"
Ø5,8x9 mm

0141417 x2
0.67x12.20/15.75"
17x310/400 mm



5

0120203

x4



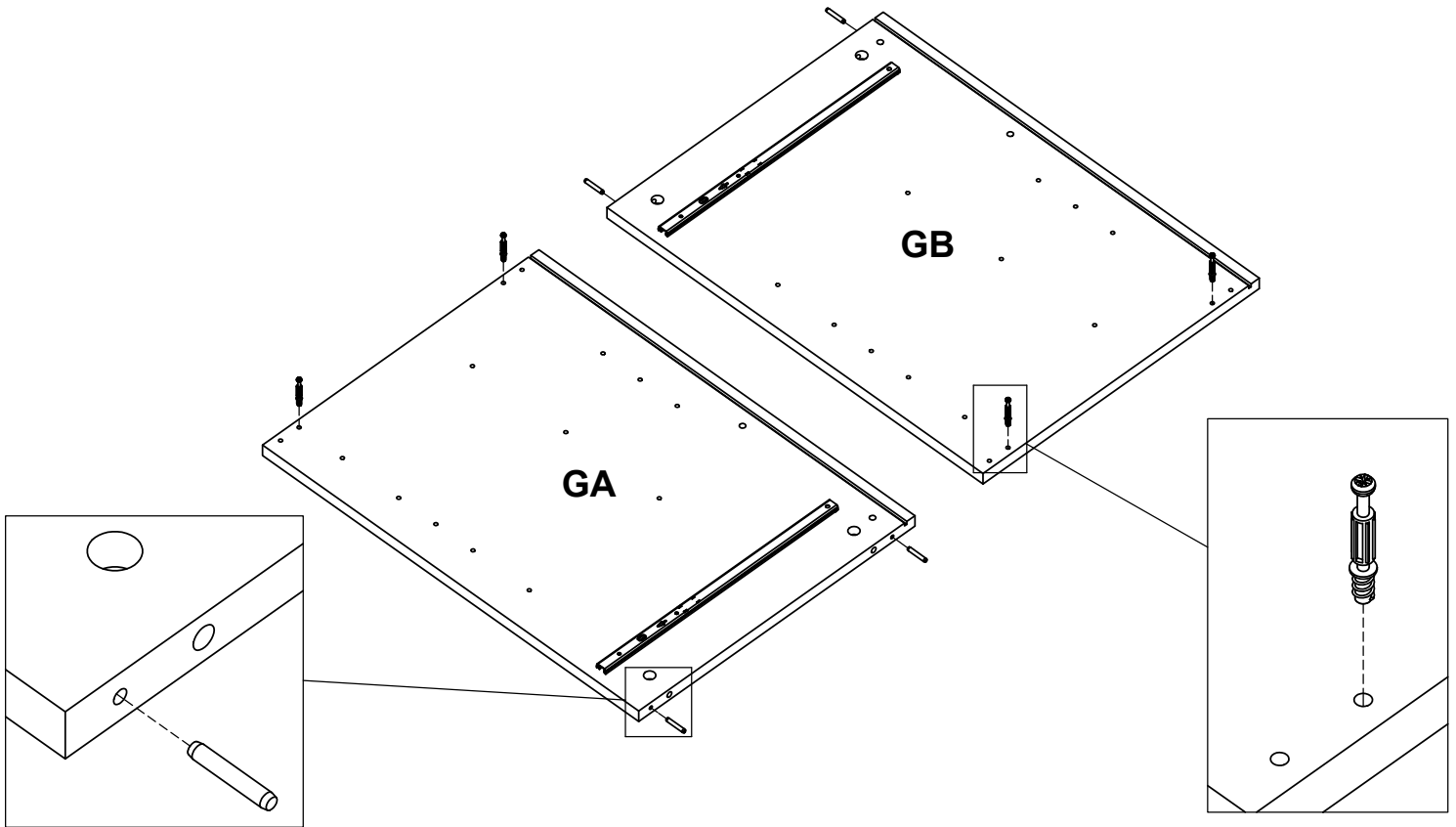
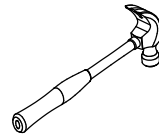
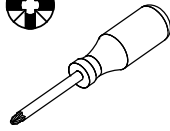
Ø0.2x1.18"
Ø5x30 mm

0131513

x4



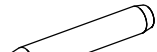
Ø0.30x1.73/1.34"
Ø7.5x44/34 mm



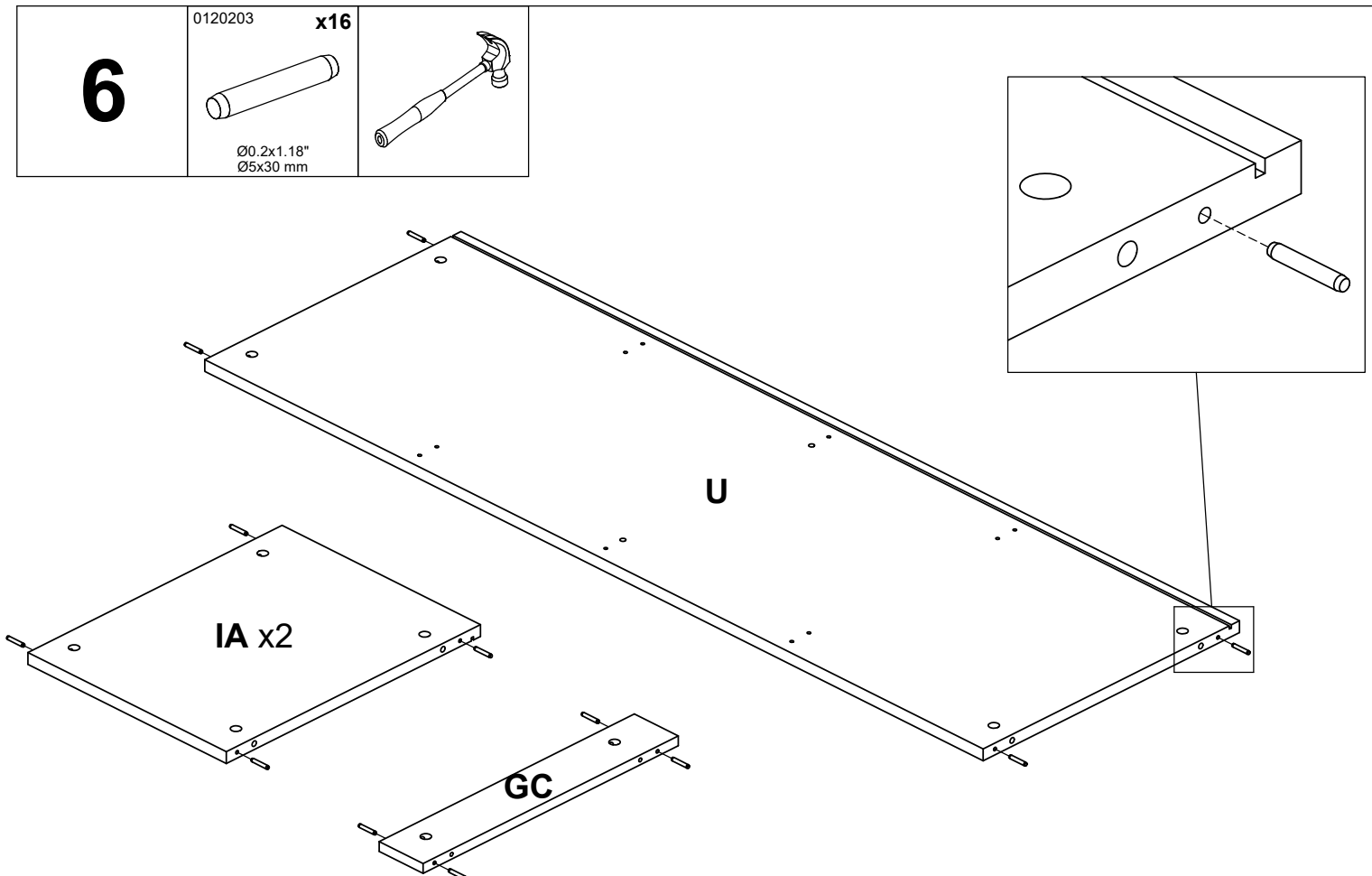
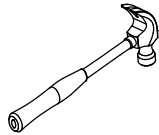
6

0120203

x16



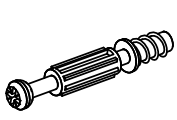
Ø0.2x1.18"
Ø5x30 mm



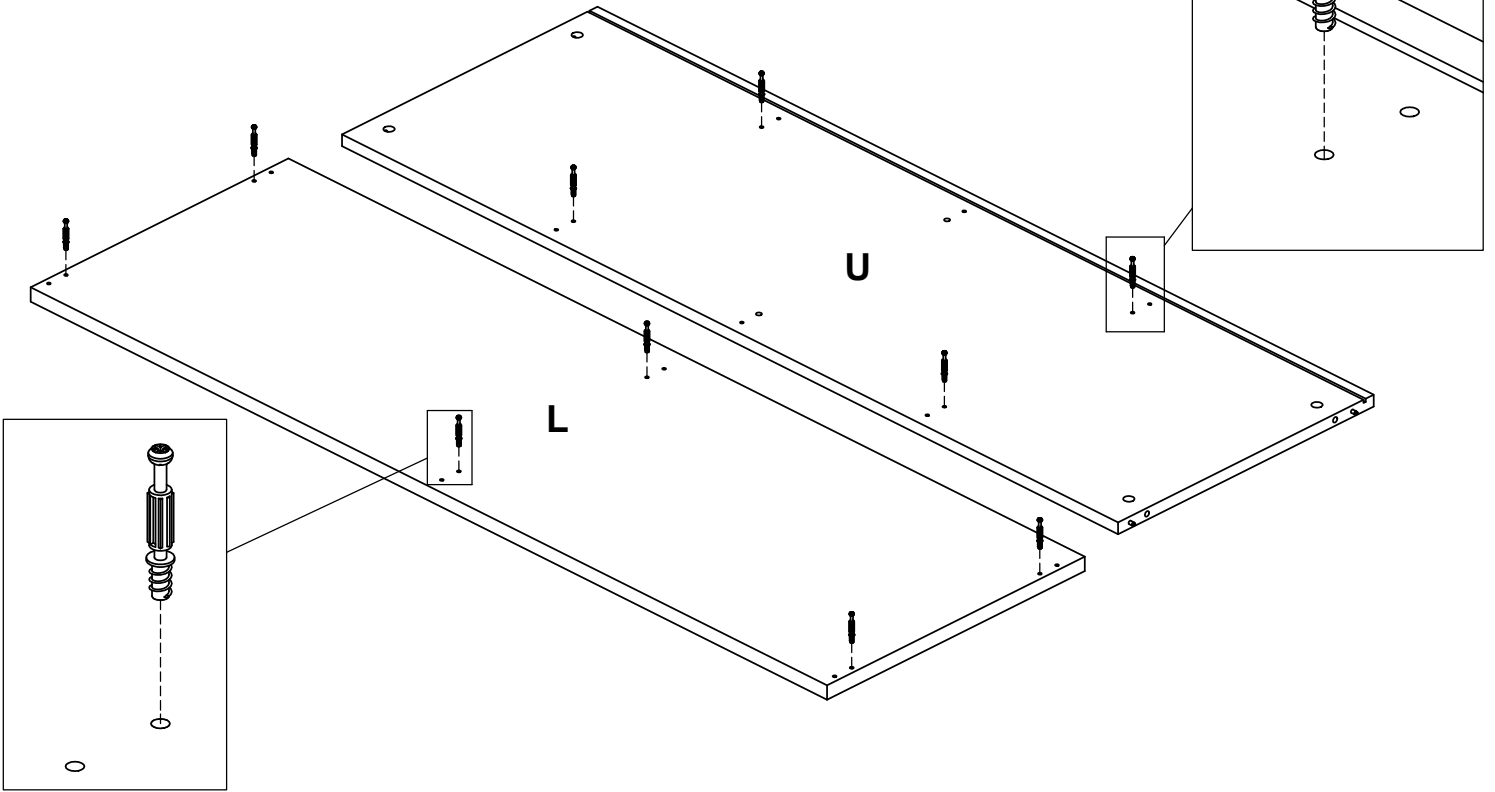
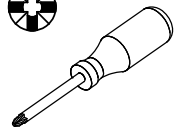
7

0131513

x10



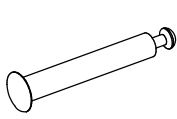
Ø0.30x1.73/1.34"
Ø7,5x44/34 mm



8

0131561

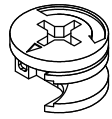
x4



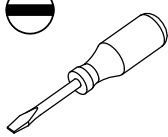
Ø0.28x2.02"
Ø7x51,3 mm

0131687

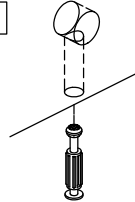
x4



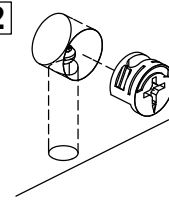
Ø0.59x0.37"
Ø15x9,5 mm



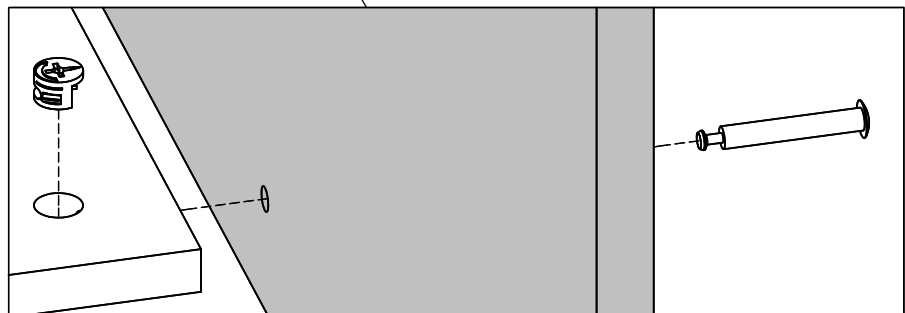
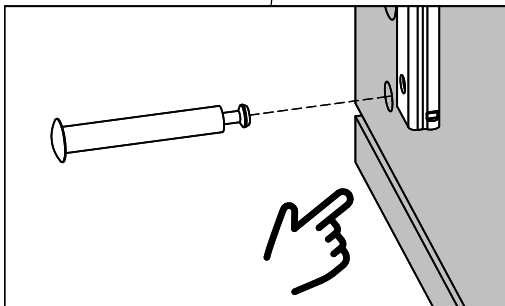
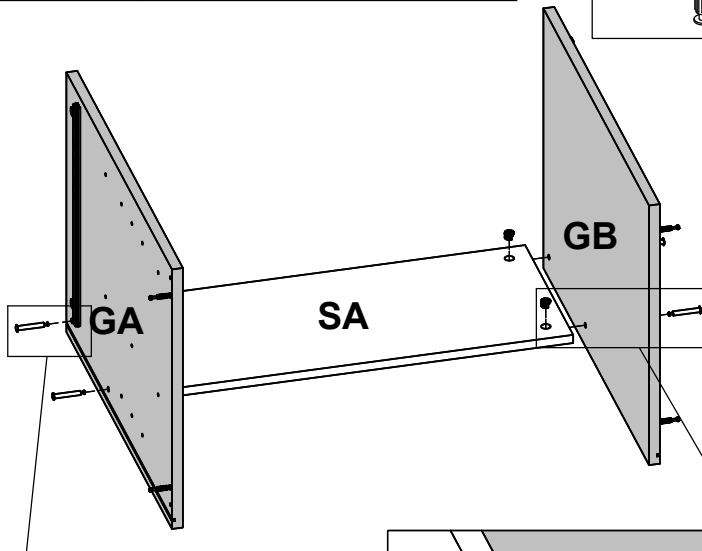
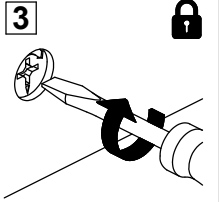
1



2



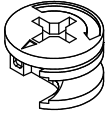
3



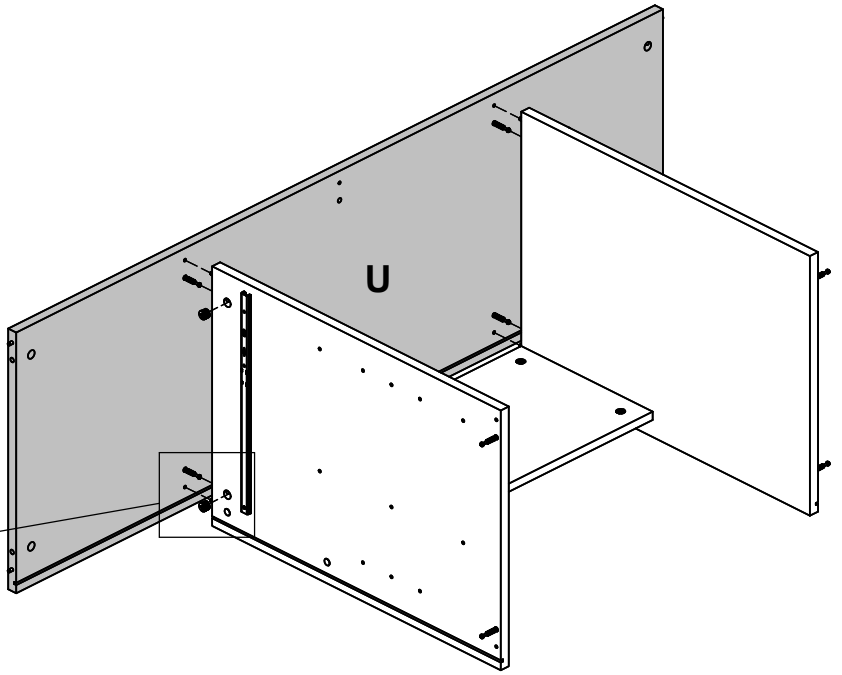
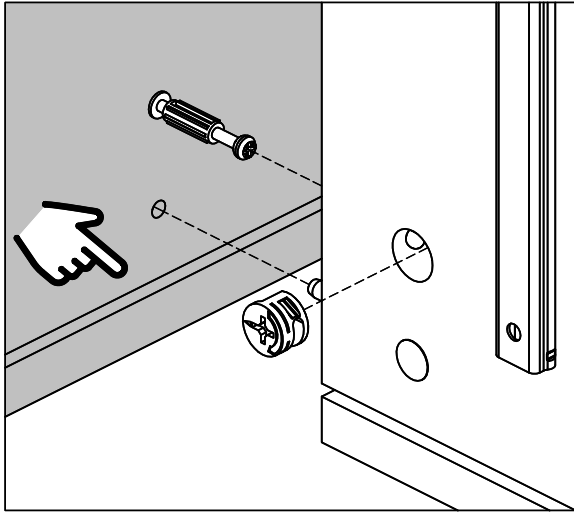
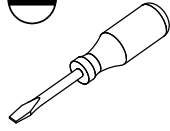
9

0131687

x4



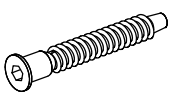
Ø0.59x0.37"
Ø15x9,5 mm



10

0125610

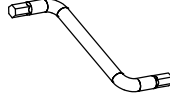
x2



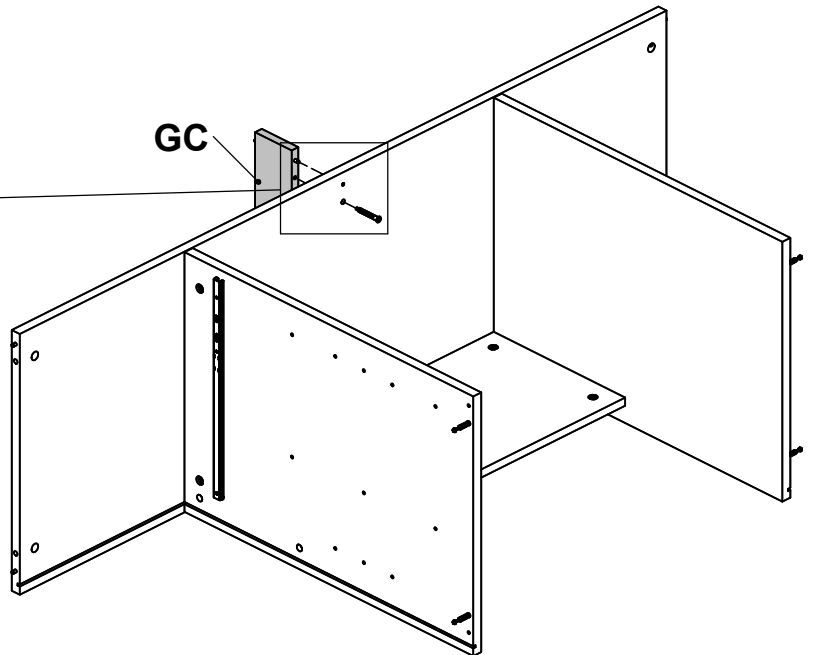
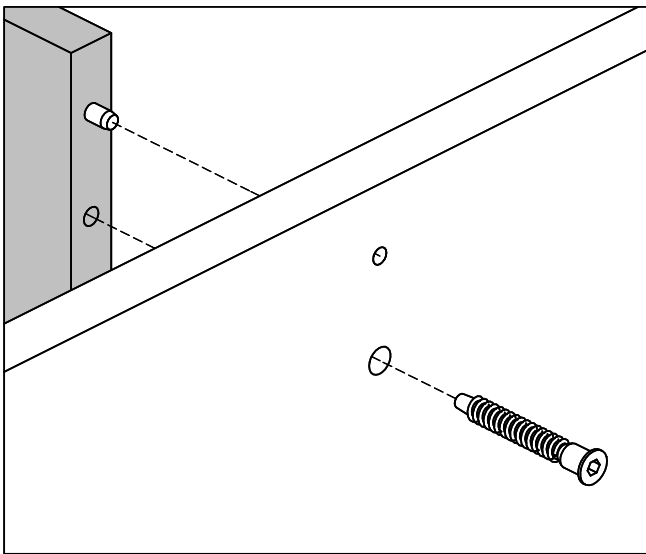
Ø0.28x1.97"
Ø7x50 mm

0197642

x1



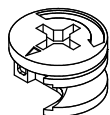
0.16x1.93x1.46"
4x49x37 mm



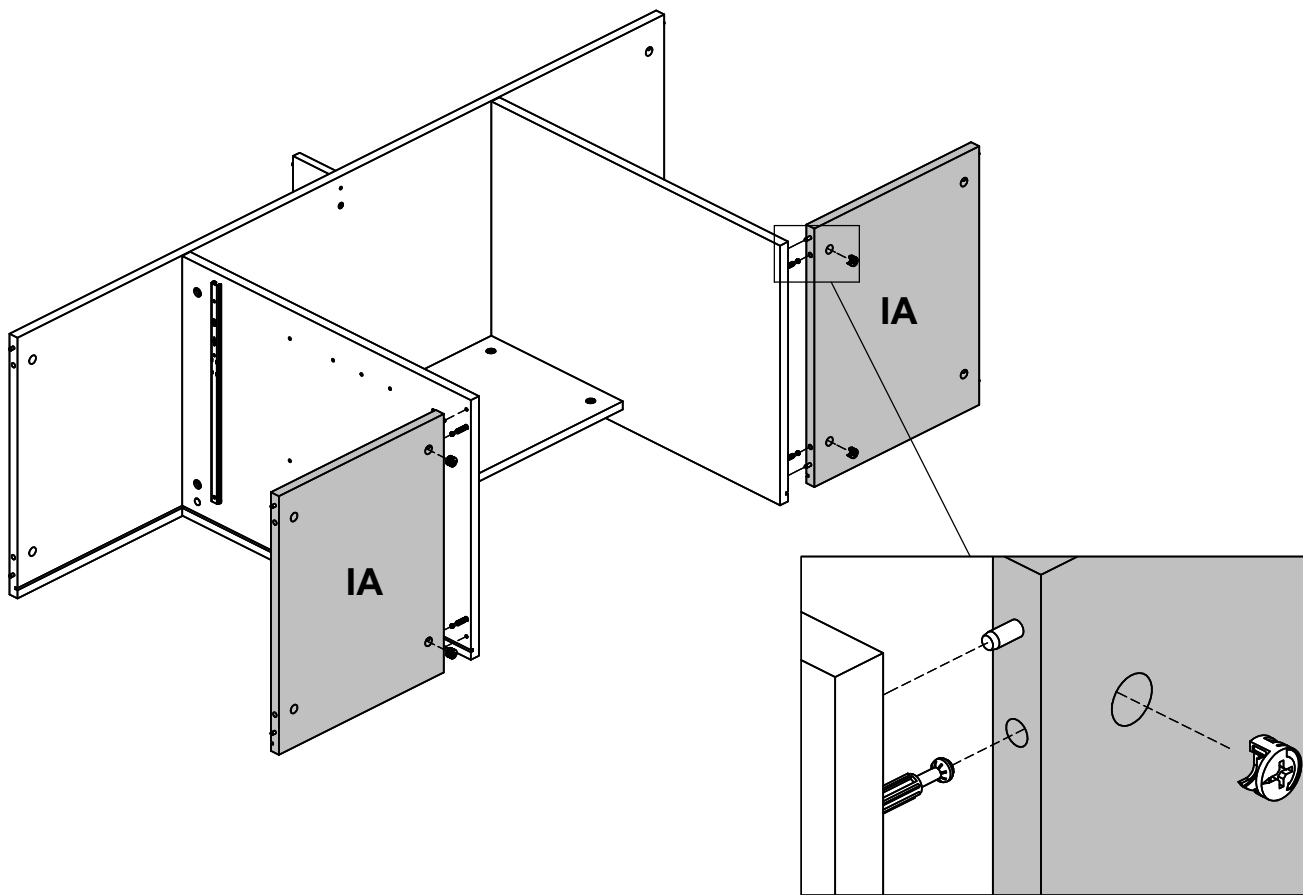
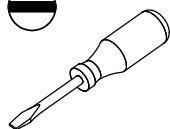
11

0131687

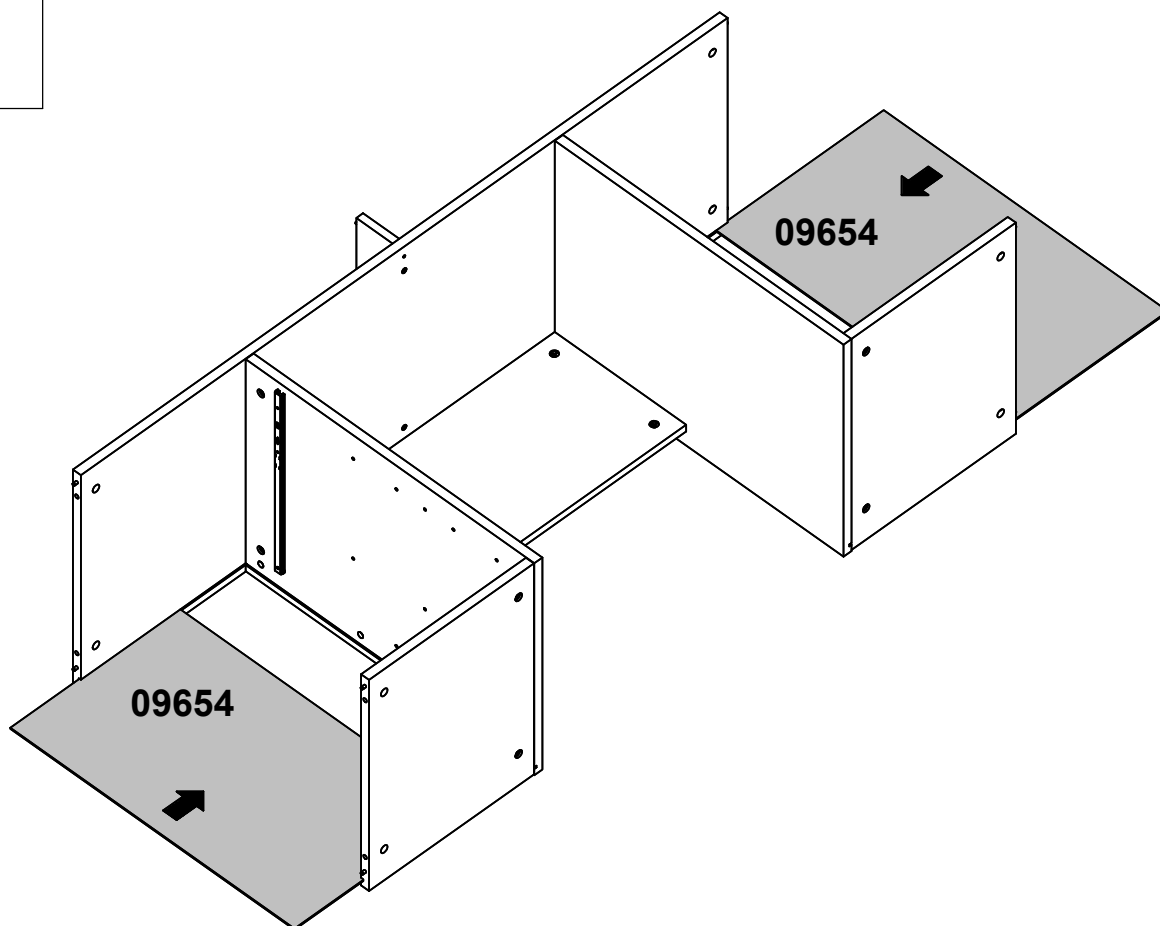
x4



Ø0.59x0.37"
Ø15x9,5 mm



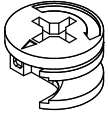
12



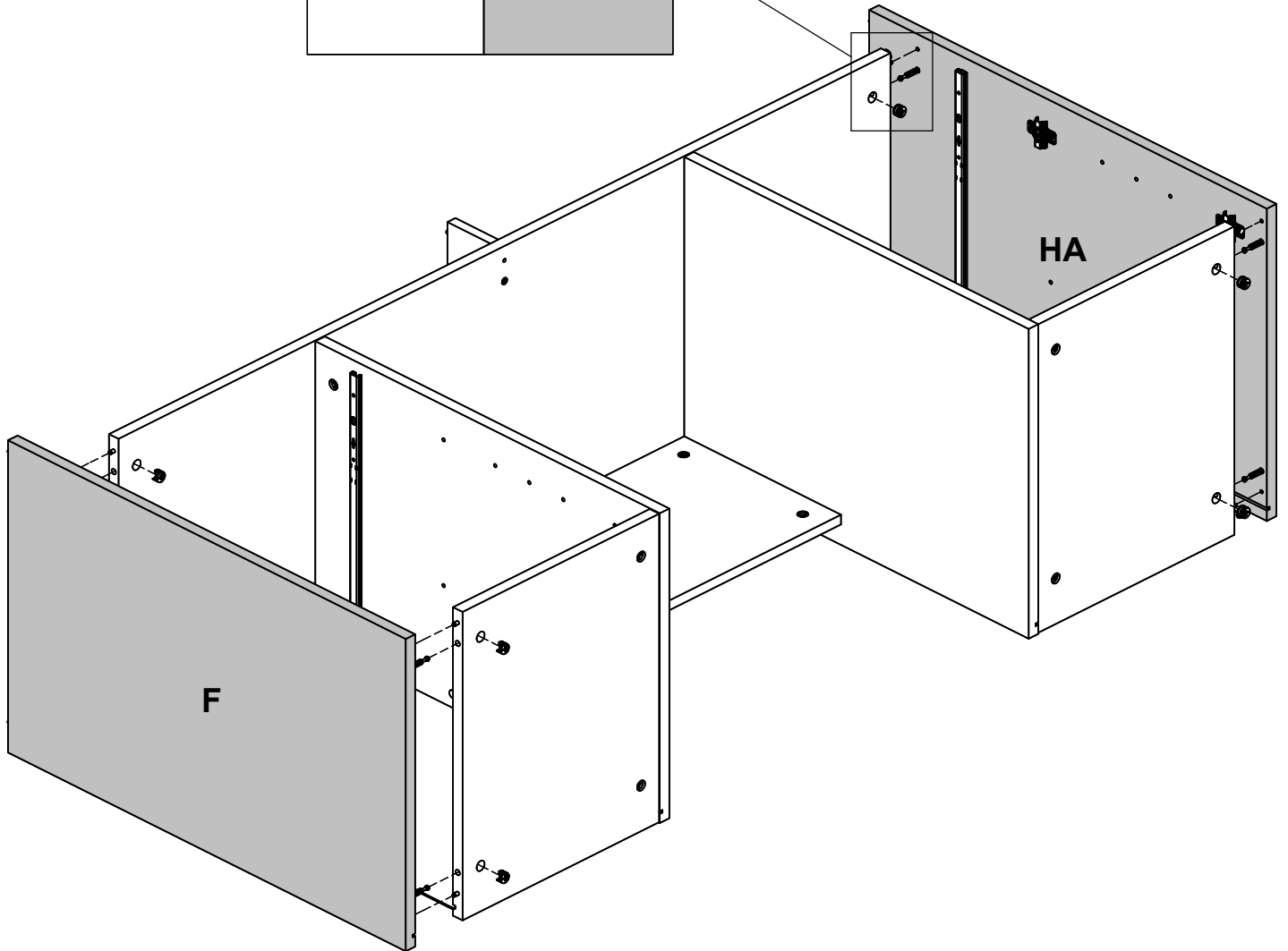
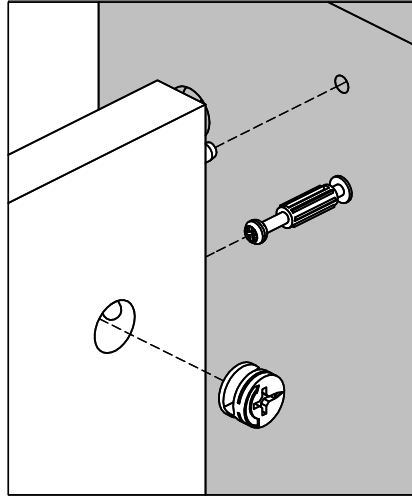
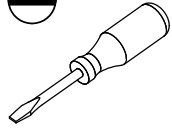
13

0131687

x8



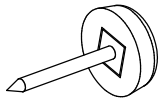
Ø0.59x0.37"
Ø15x9,5 mm



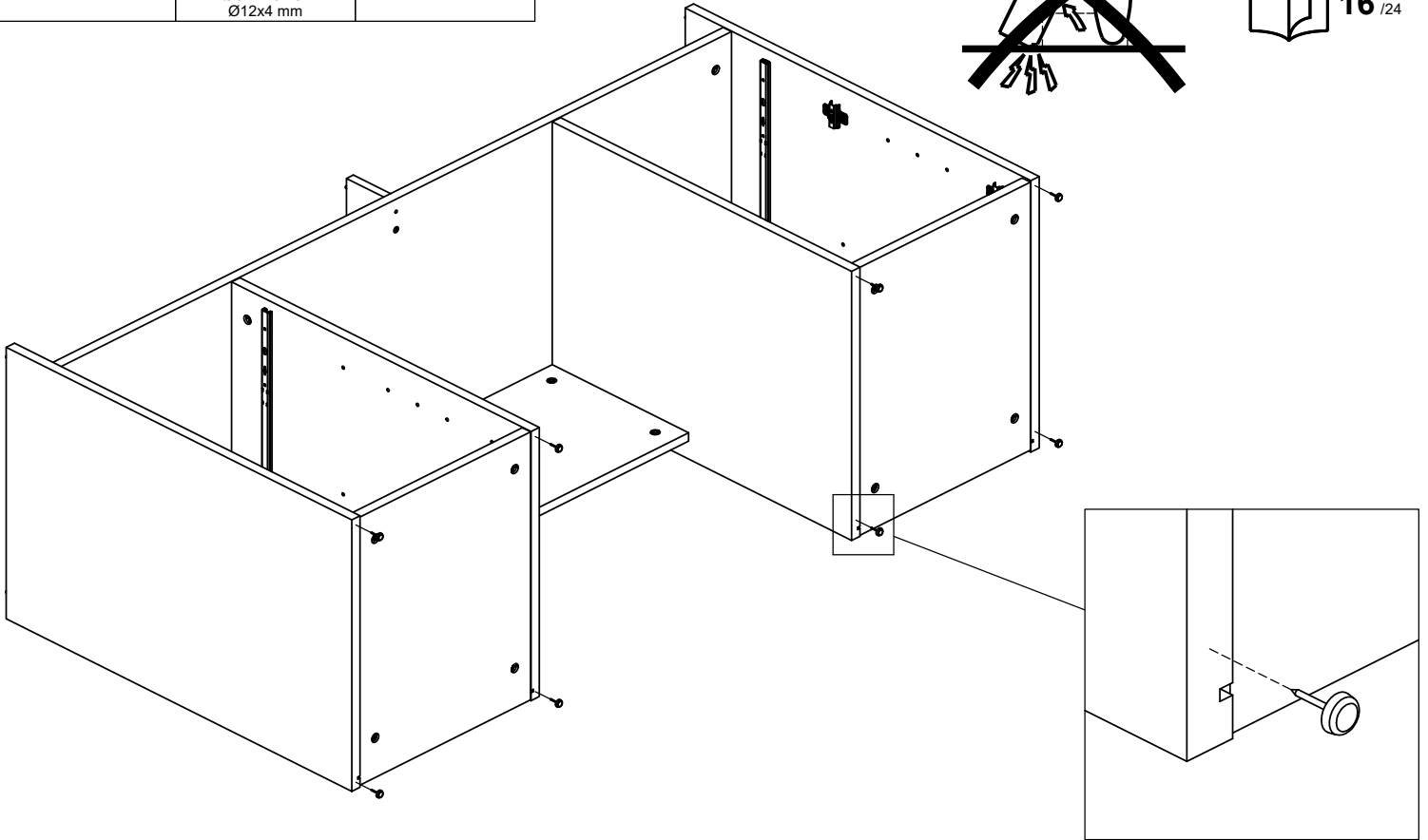
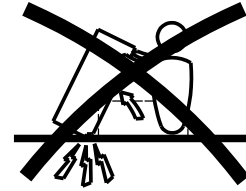
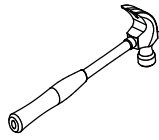
14

0163001

x8



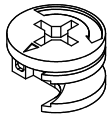
Ø0.47x0.16"
Ø12x4 mm



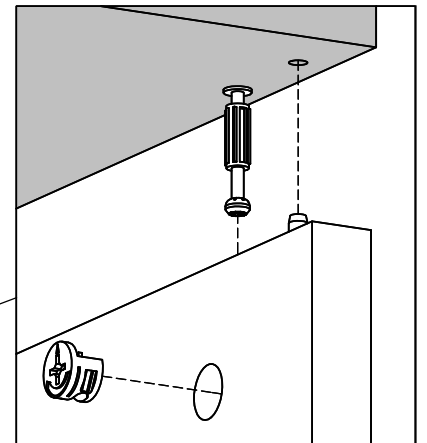
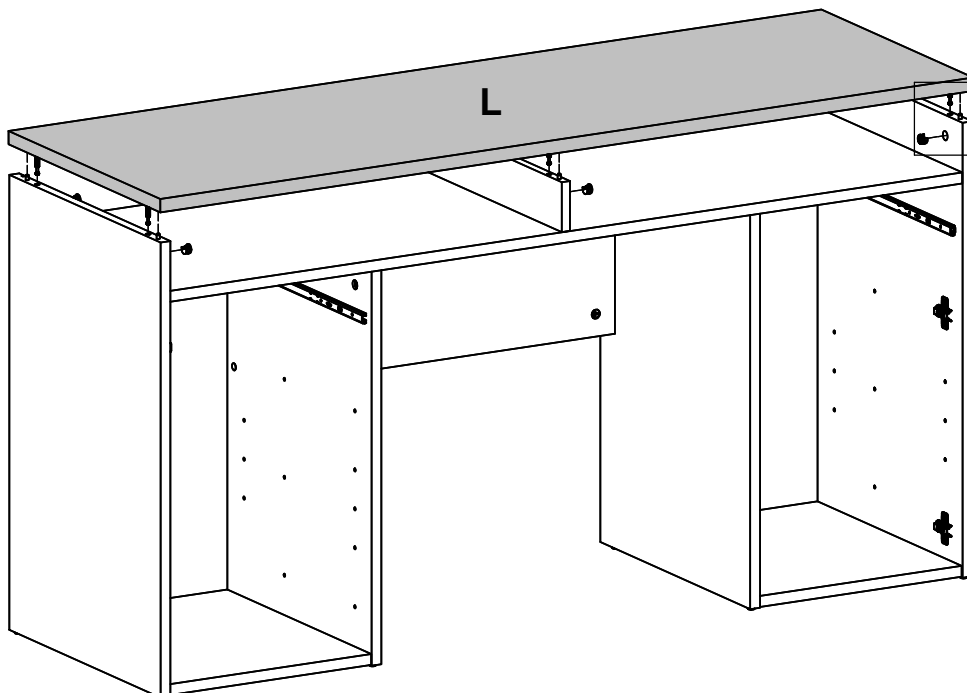
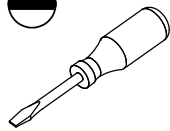
15

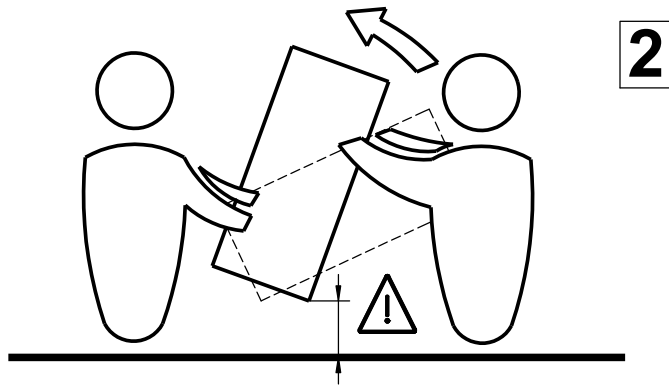
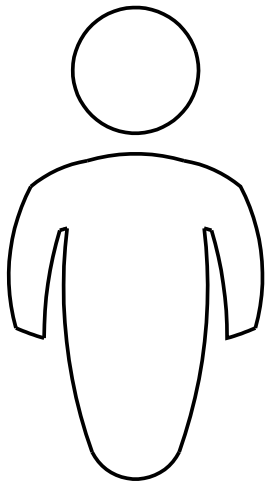
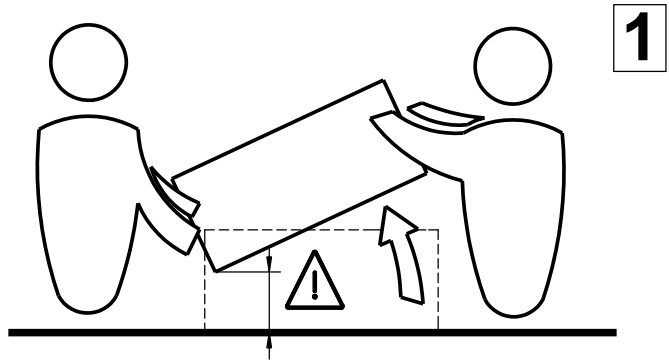
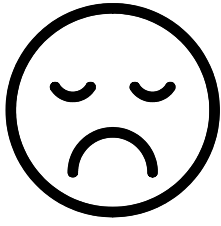
0131687

x6

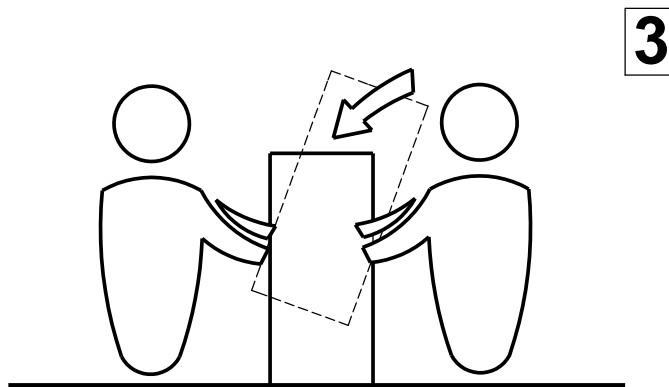


Ø0.59x0.37"
Ø15x9,5 mm





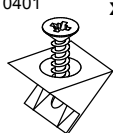
x2



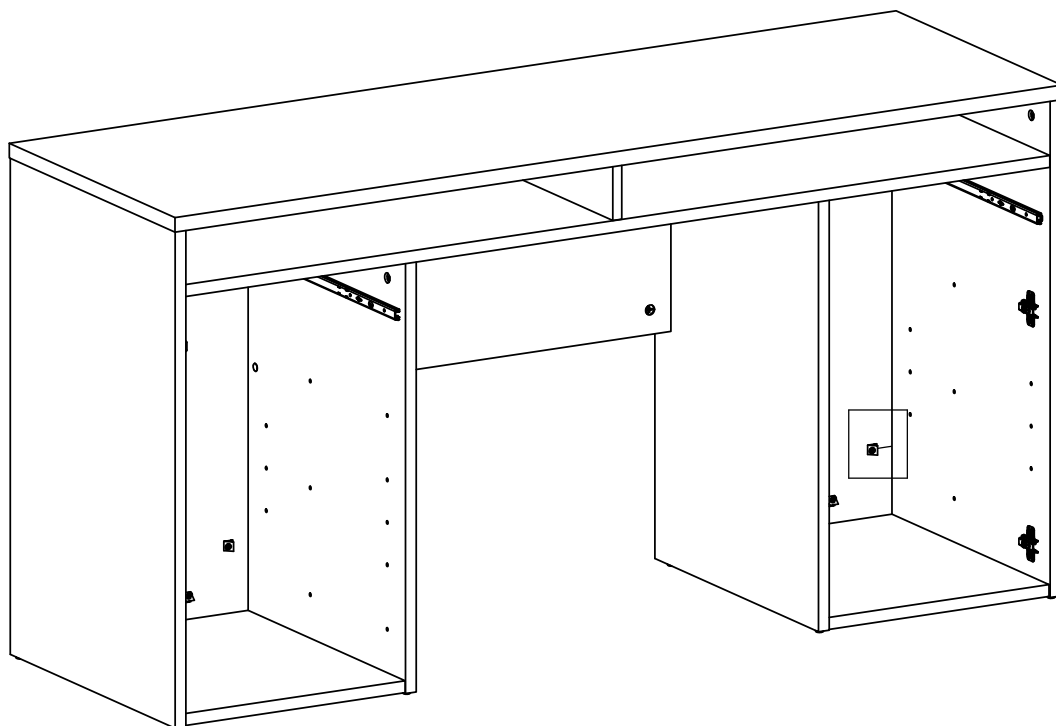
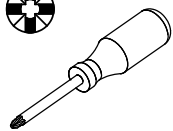
16

0110401

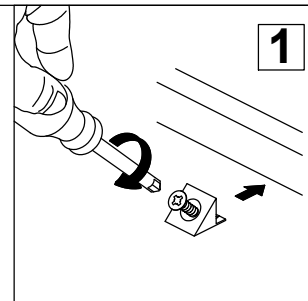
x16



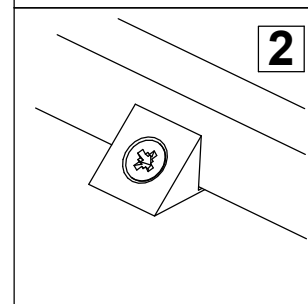
0.59x0.55x0.39"
15x14x10 mm



1



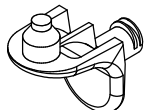
2



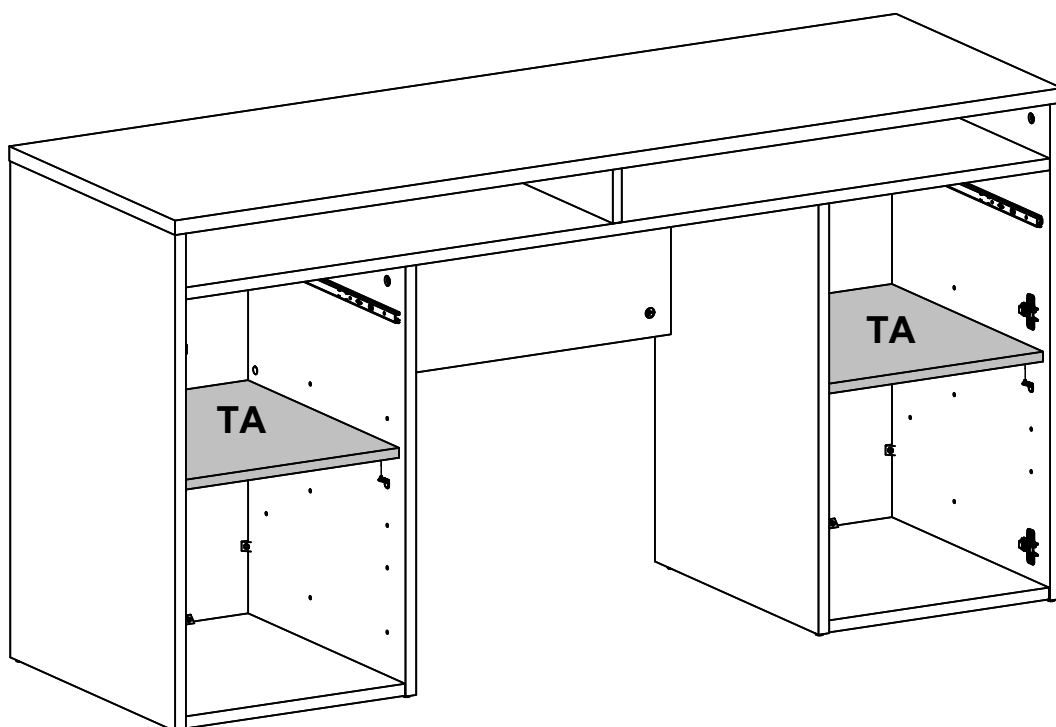
17

0111042

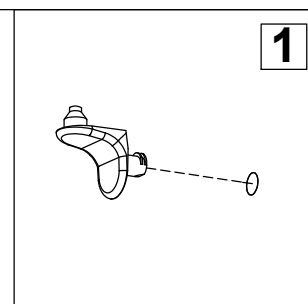
x8



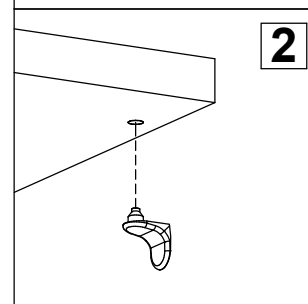
0.83x0.76x0.47"
21x19,3x12 mm



1



2



18

0110901

x10



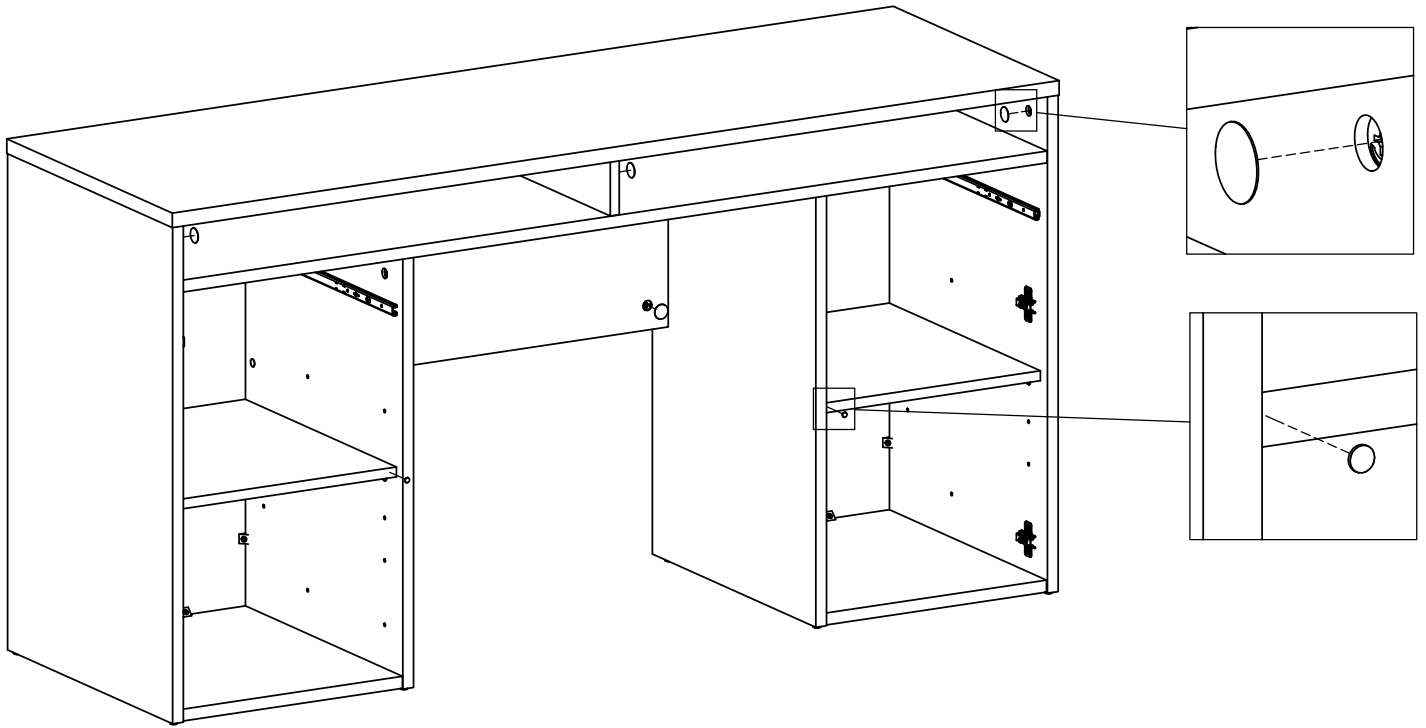
Ø0.87x0.02"
Ø22x0,5 mm

0196203

x2



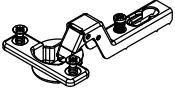
Ø0.28x0.06"
Ø7x1,5 mm



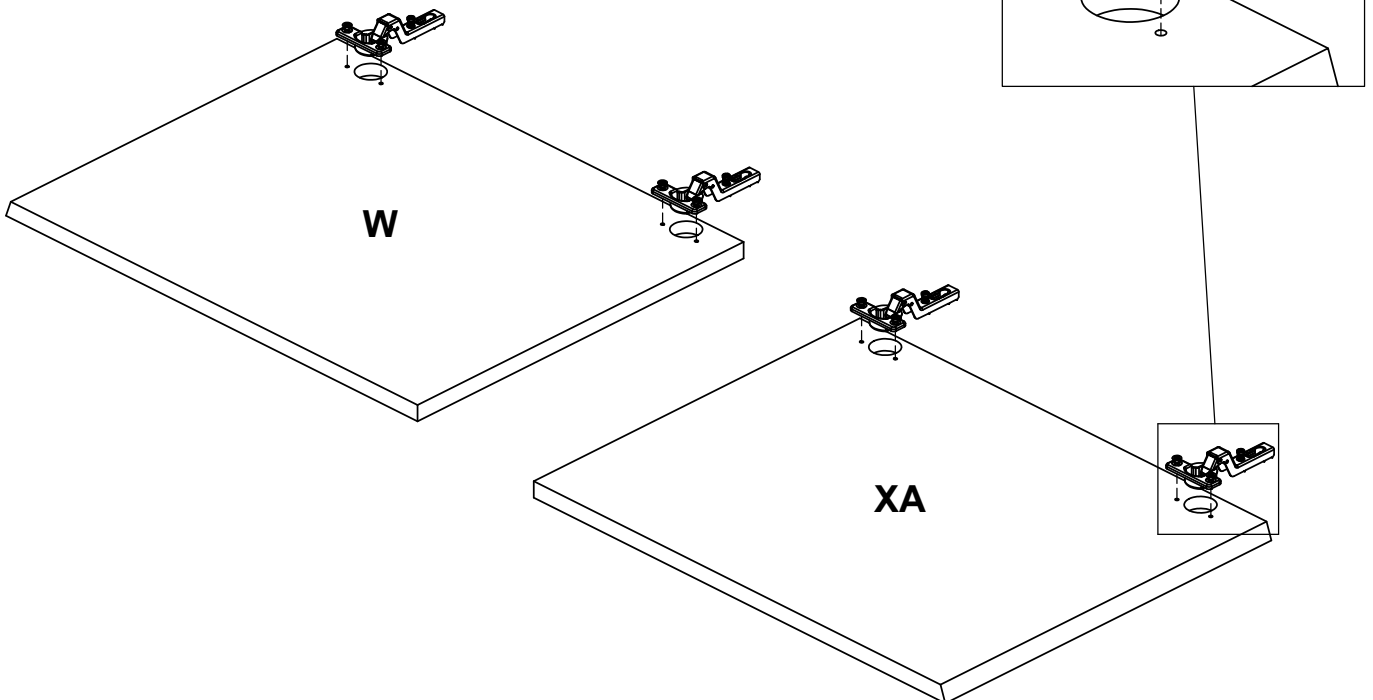
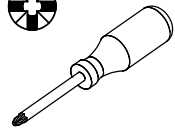
19

0152292

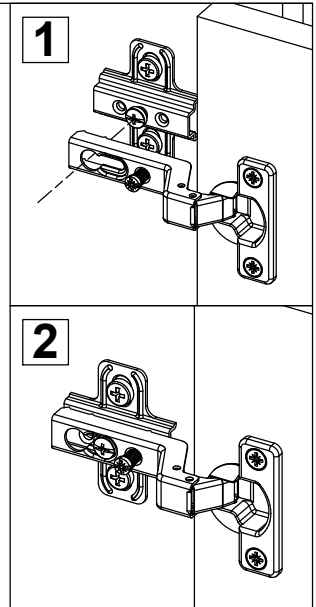
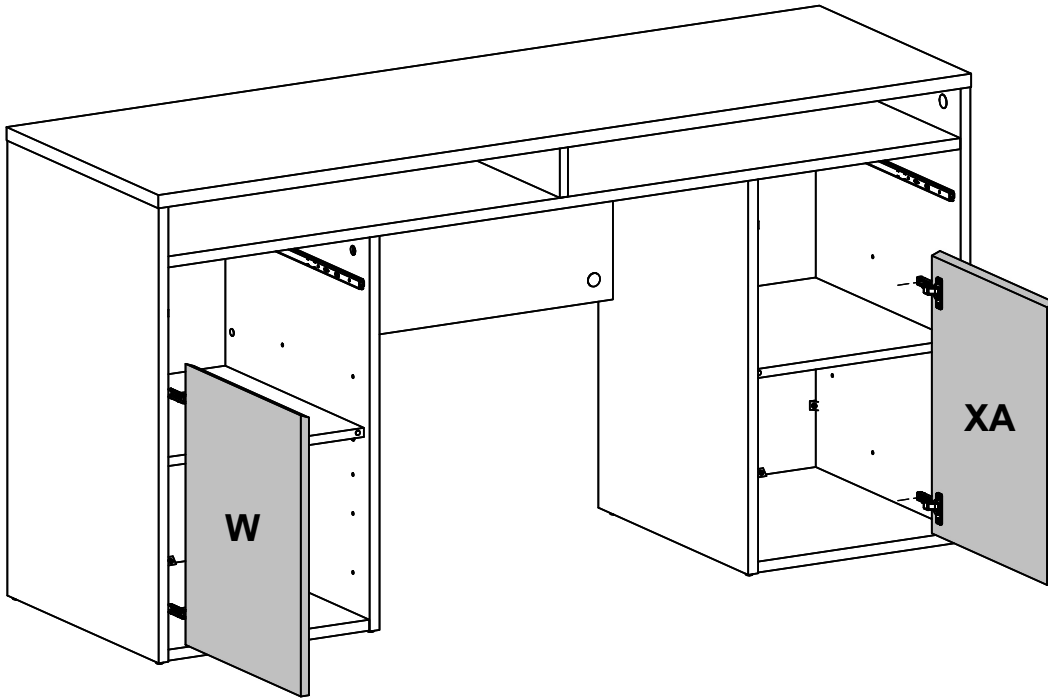
x4



Ø1.02-3.61x1.97x1"
Ø26-91,7x50x25,2 mm



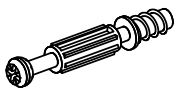
20



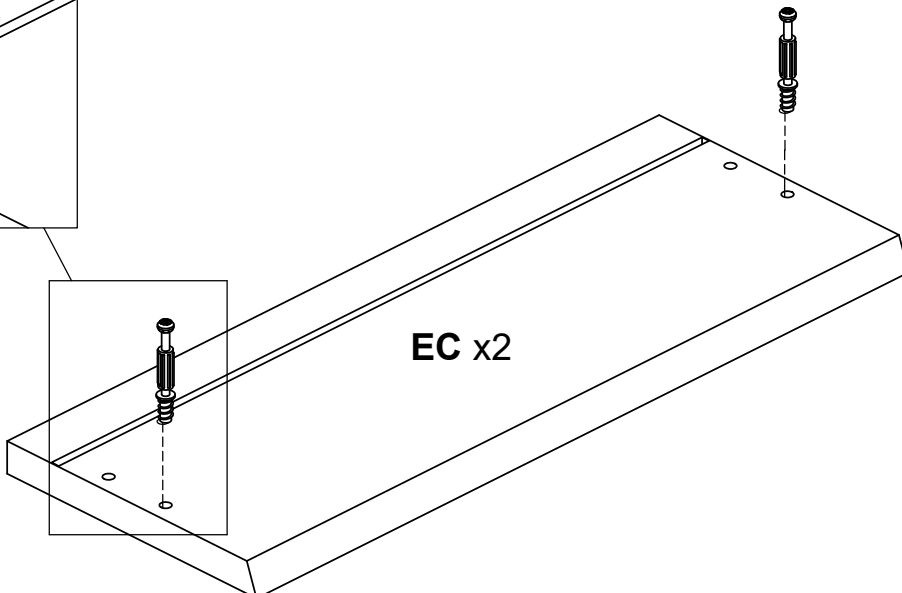
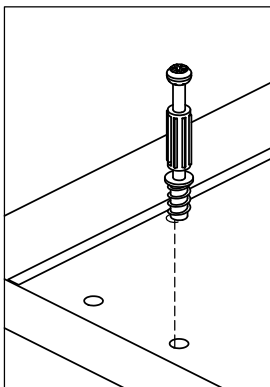
21

0131513

x4



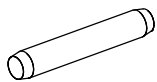
Ø0.30x1.73/1.34"
Ø7.5x44/34 mm



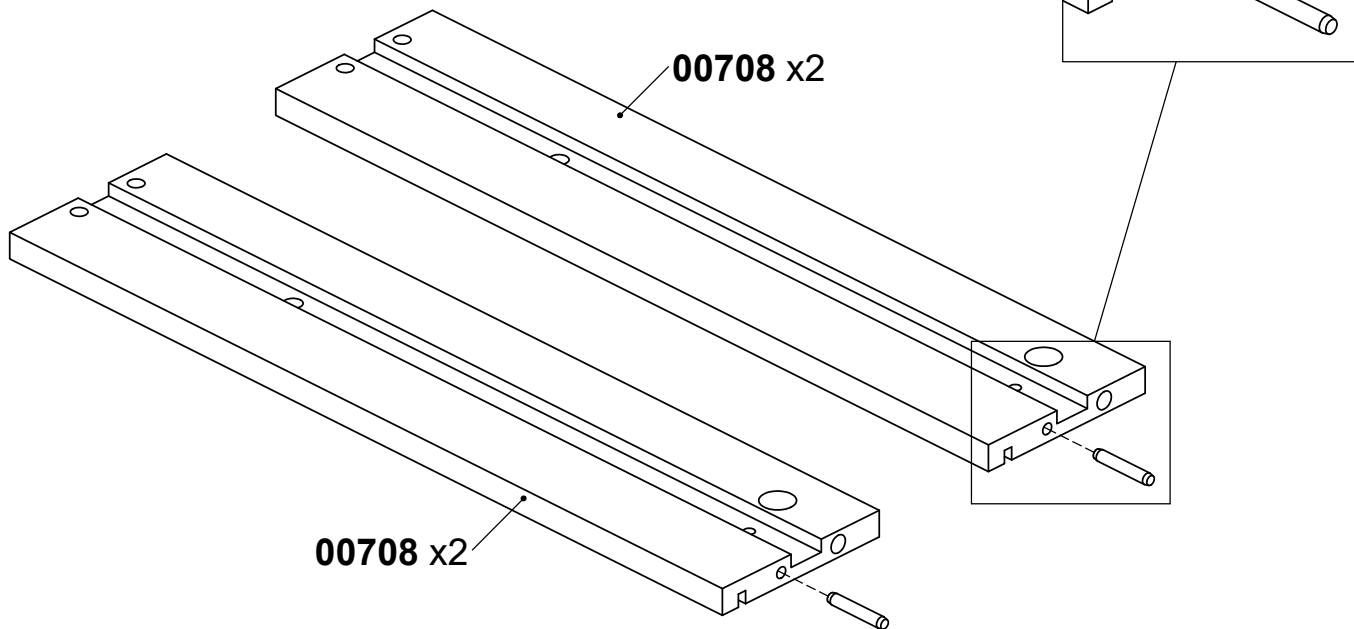
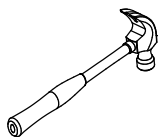
22

0120203

x4



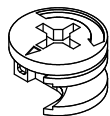
Ø0.2x1.18"
Ø5x30 mm



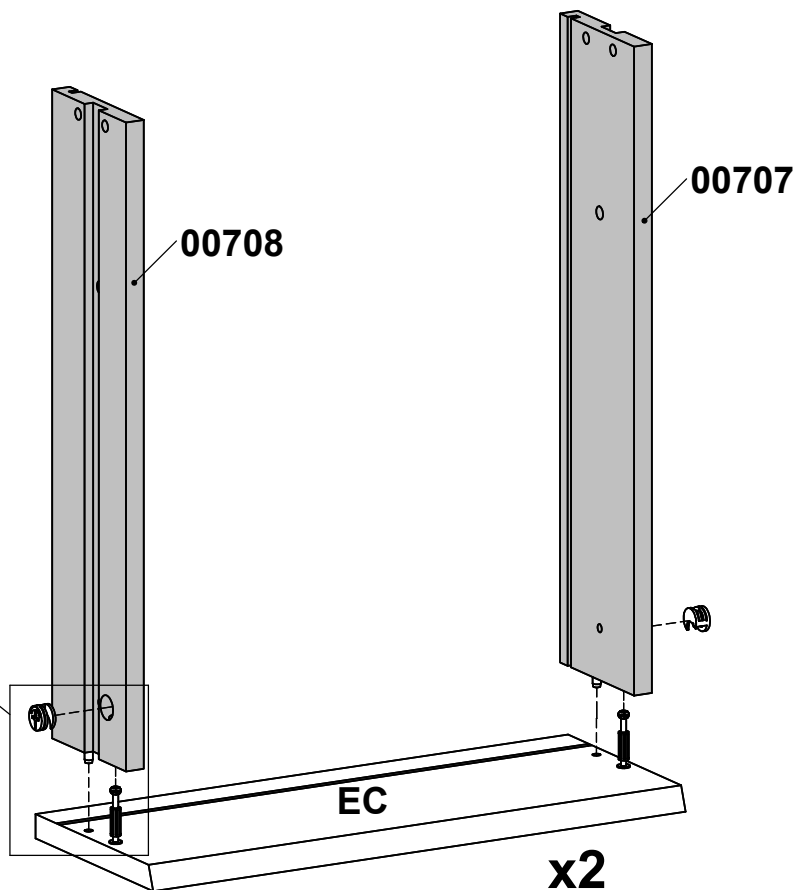
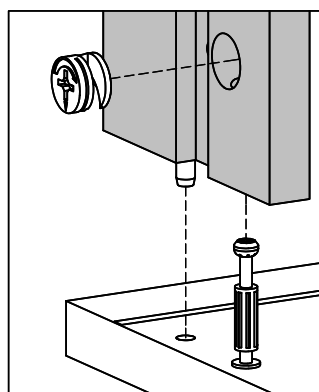
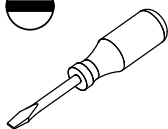
23

0131687

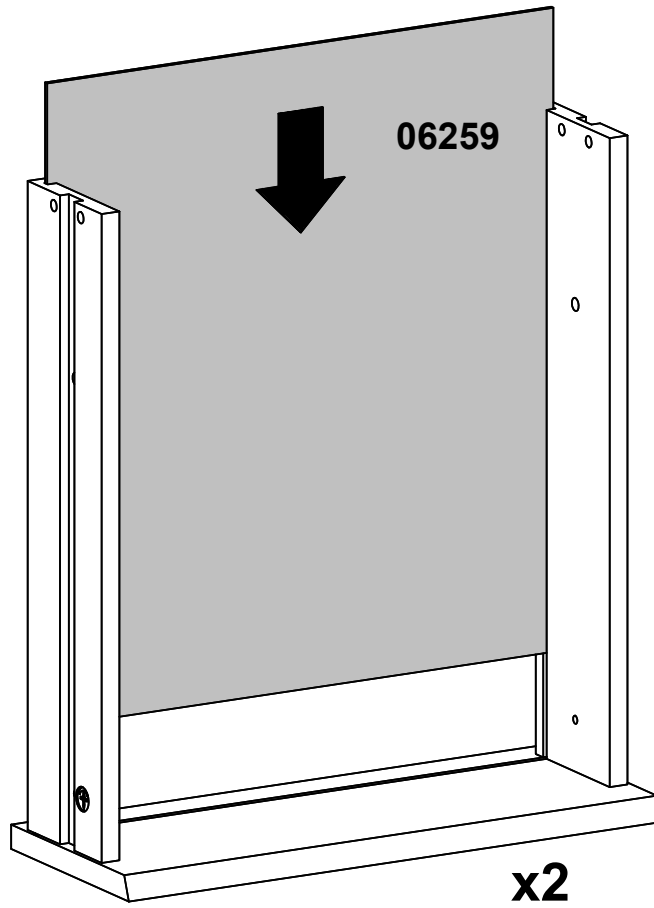
x4



Ø0.59x0.37"
Ø15x9.5 mm

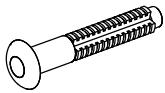


24

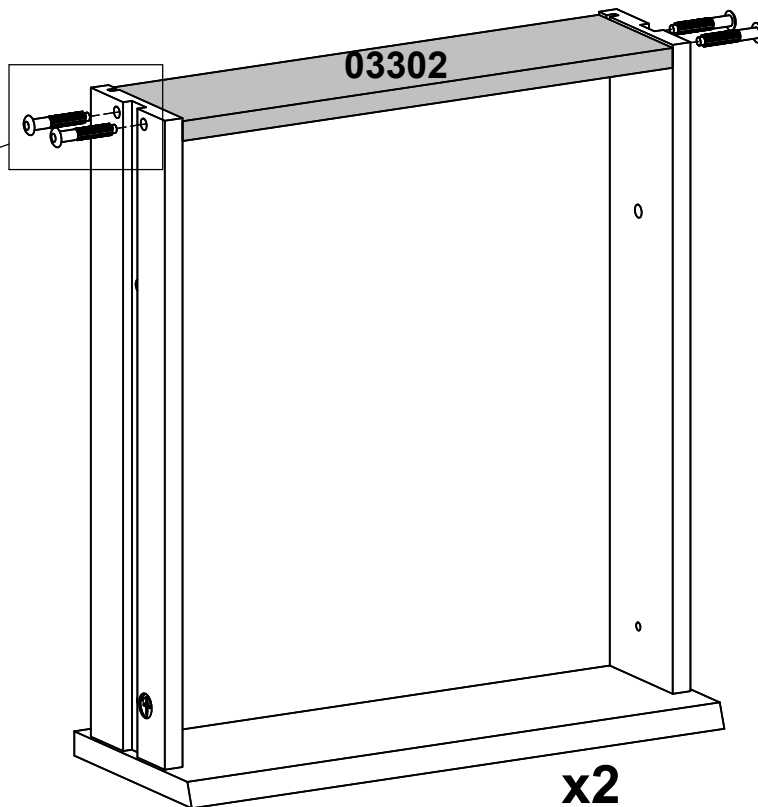
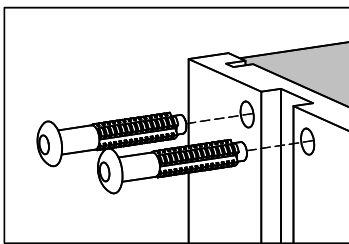
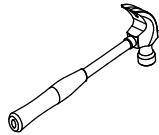


25

0120228 **x8**



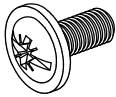
Ø0.25x1.57"
Ø6.3x40 mm



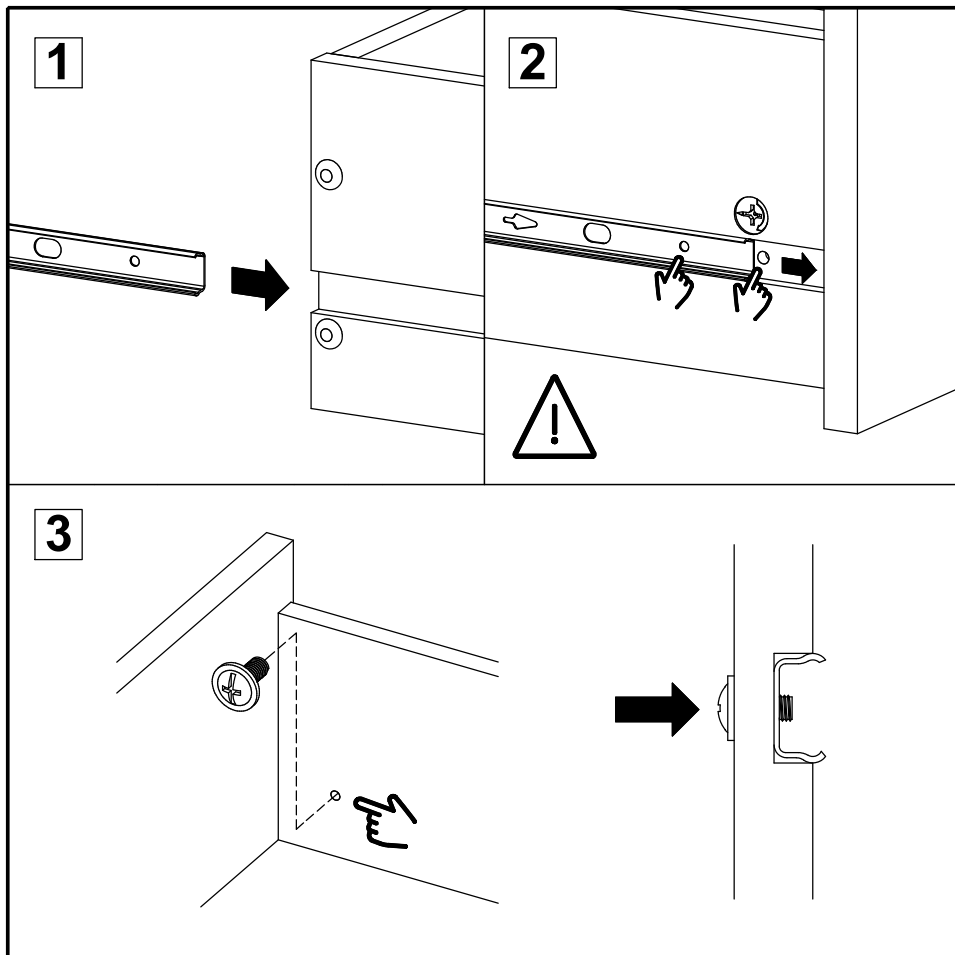
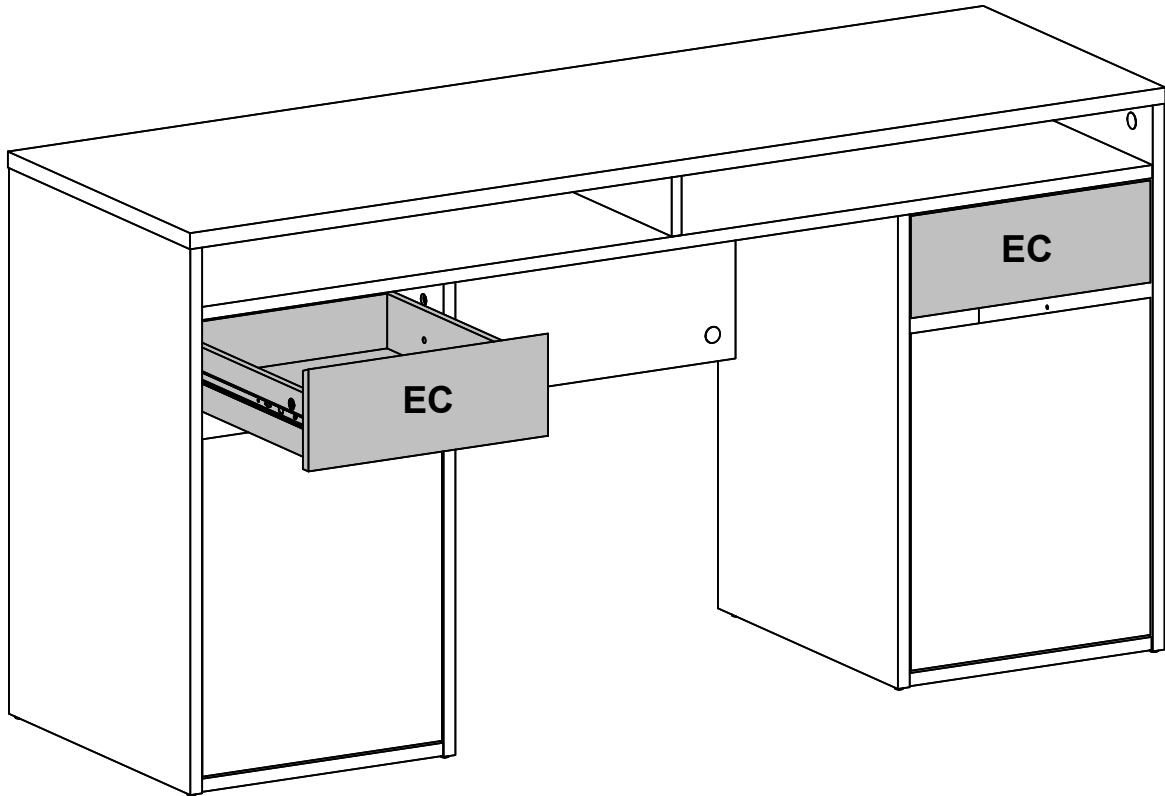
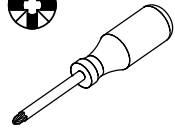
26

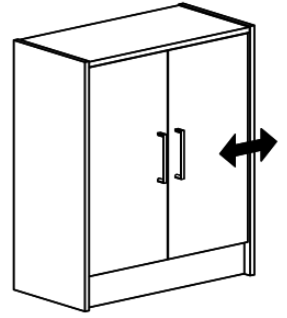
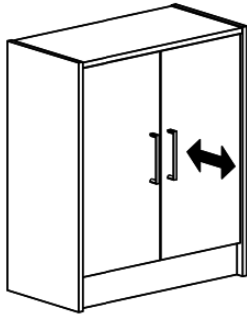
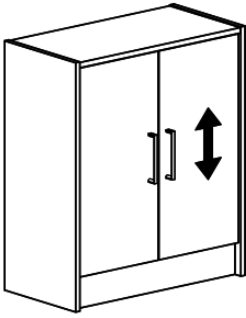
0126214

x4

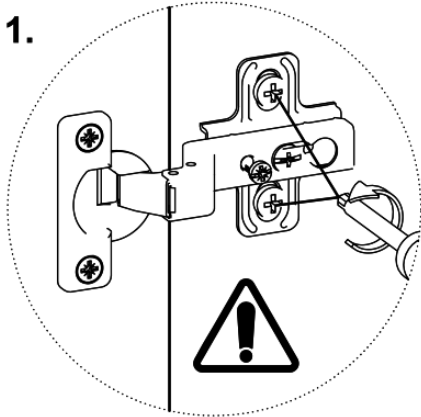


M4x0.35"
M4x9 mm

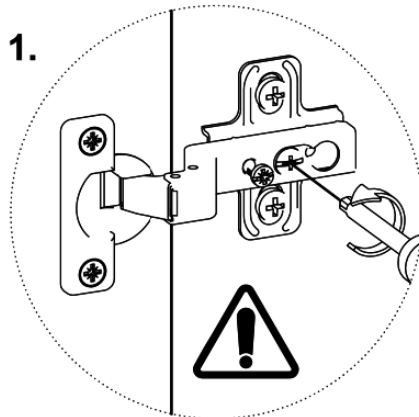




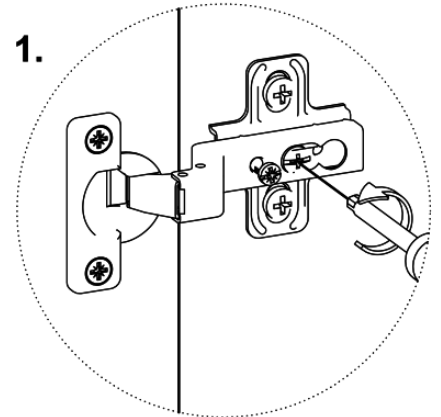
1.



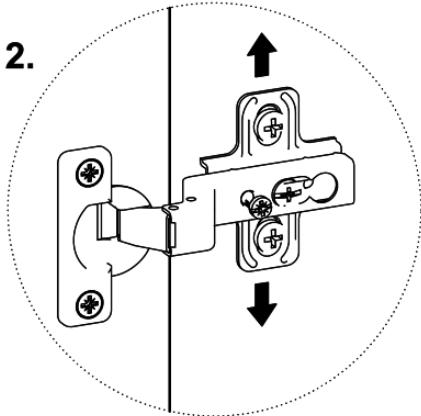
1.



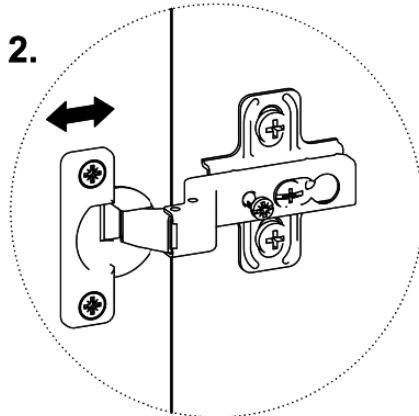
1.



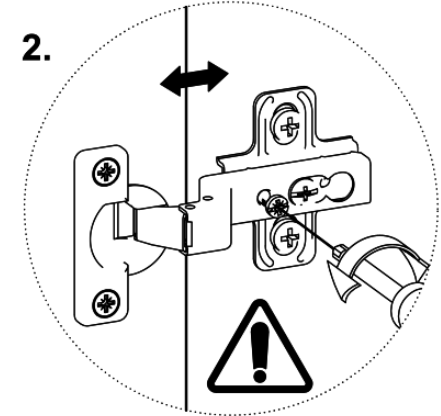
2.



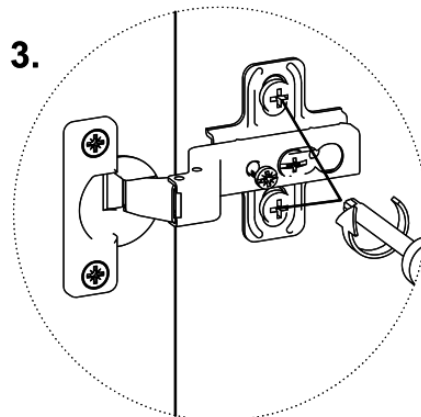
2.



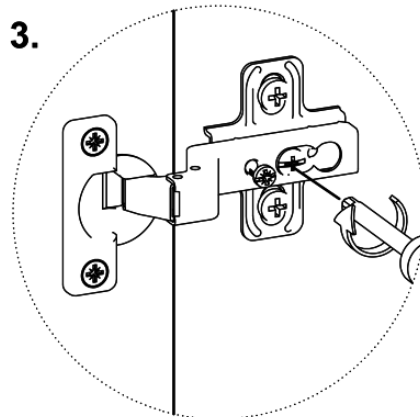
2.



3.



3.



3.

