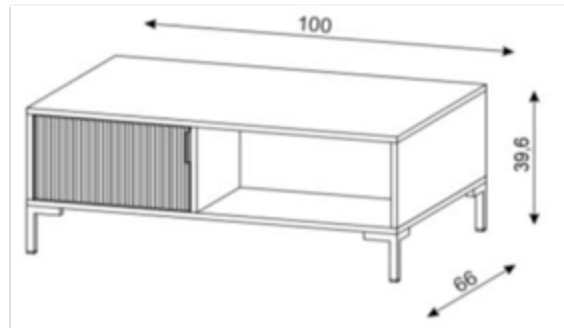
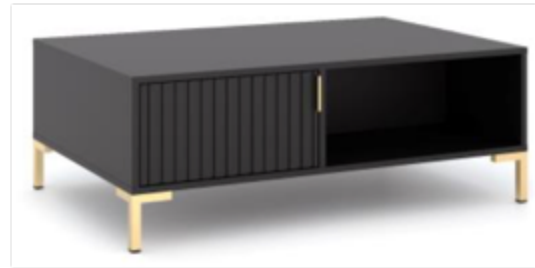
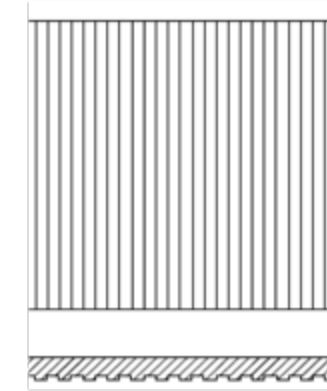


# FLINN FL05

**DESCRIPTION** COFFEE TABLE WITH 2 FLAP

**BODY** 16 mm MELAMINE FACED CHIPBOARD  
**FRONT** 18 mm GROOVED POSTFORMED MDF BOARD  
**BACK** 2,5 mm HDF BOARD  
**EDGE** ABS 0,45 mm  
**SHELF** 16 mm MELAMINE FACED CHIPBOARD  
**HANDLE** GOLD COLOUR, METAL  
**LEGS/BASE** METAL GOLD COLOUR  
**ACCESSORIES** SOFT-CLOSE HINGES



PRODUCT DIMENSIONS				PACKAGE DIMENSIONS					
WIDTH	DEPTH	HEIGHT	NET WEIGHT	NO.	WIDTH	DEPTH	HEIGHT	VOLUME	GROSS WEIGHT
100 CM	66 CM	39,6 CM	26,6 KG	1/1	126,6 CM	73,4 CM	13,4 CM	0,125 M3	28,0 KG

AVAILABLE COLOUR COMBINATIONS	BODY	FRONT
	BLACK	BLACK