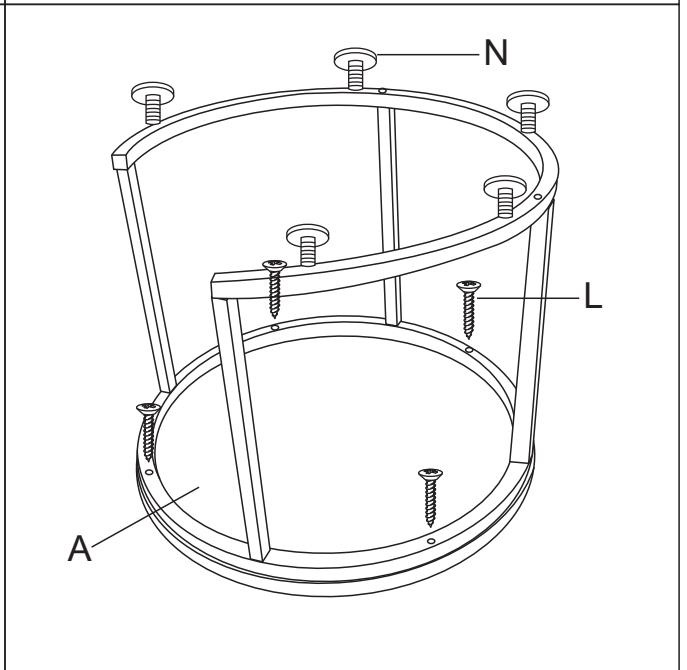
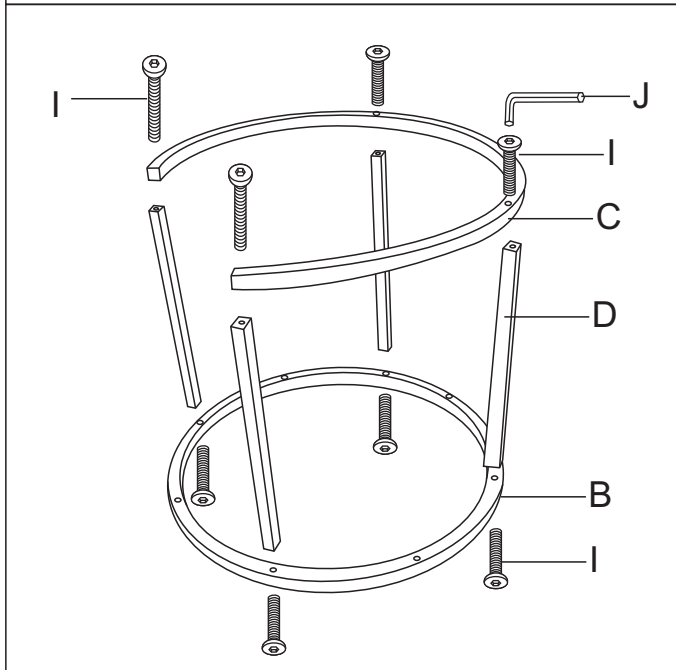
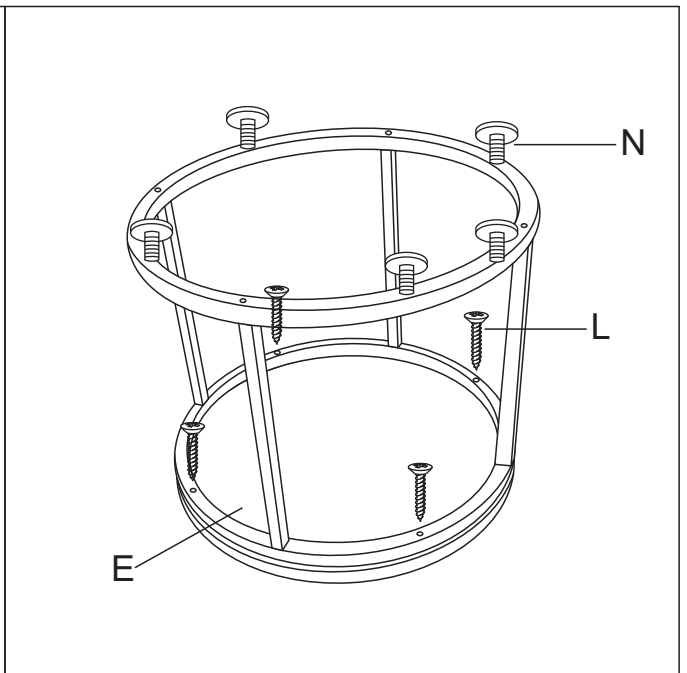
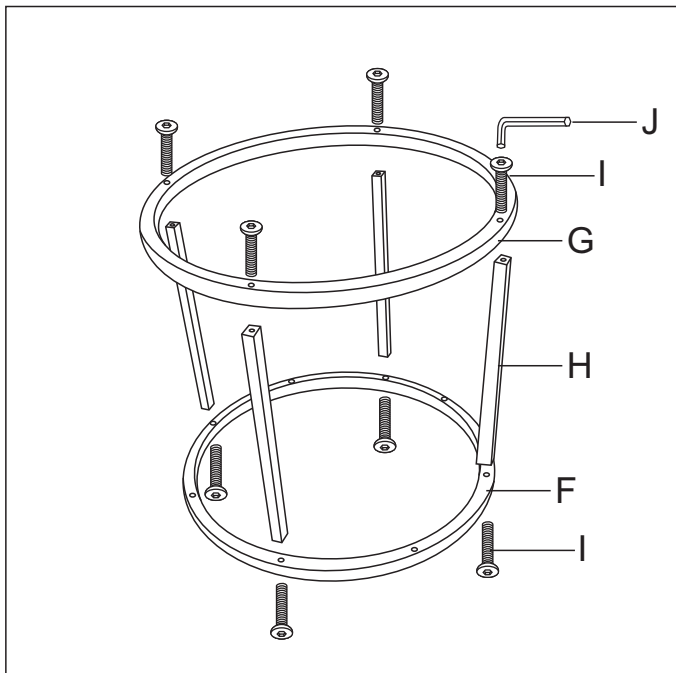

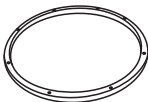











ASSEMBLY INSTRUCTION



Ax1 	Bx1 	Cx1 	Dx4 		
Ex1 	Fx1 	Gx1 	Hx4 		
Ix16 	Jx1 	Lx8 	Nx10 