

ASSEMBLY INSTRUCTION

1

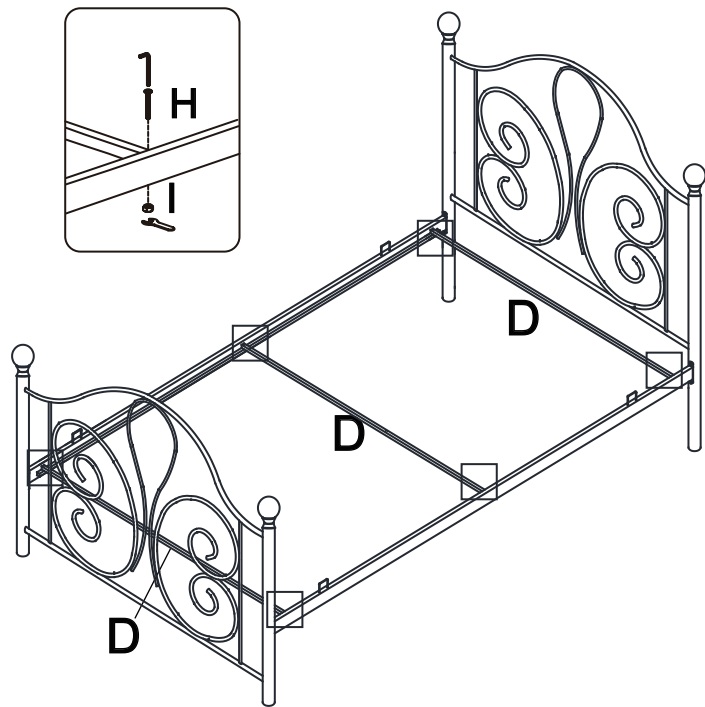
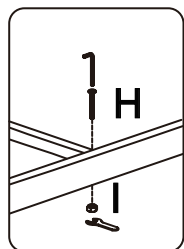
2

A		1
B		1
C		2
D		3
E		12
F		4

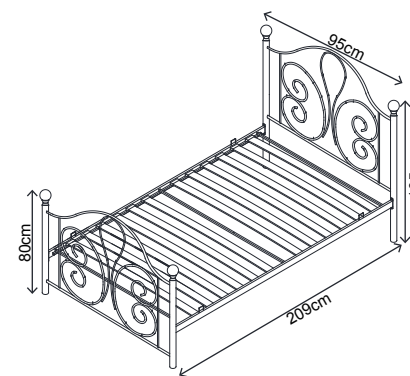
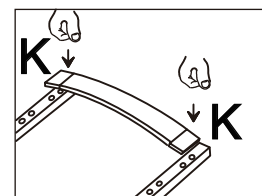
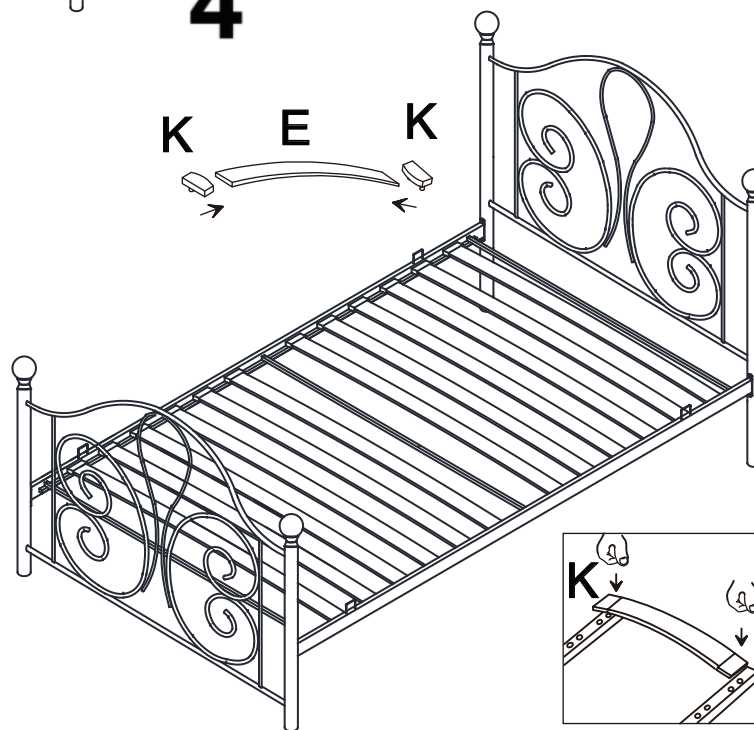
G		Bolts (M6x20)	8 pcs	
H		Bolts (M6x45)	6 pcs	
I		Nuts	6 pcs	
J			4 pcs	
K		Plastic Ends	24 pcs	


v.1

3



4



 max. 200 kg

v.1