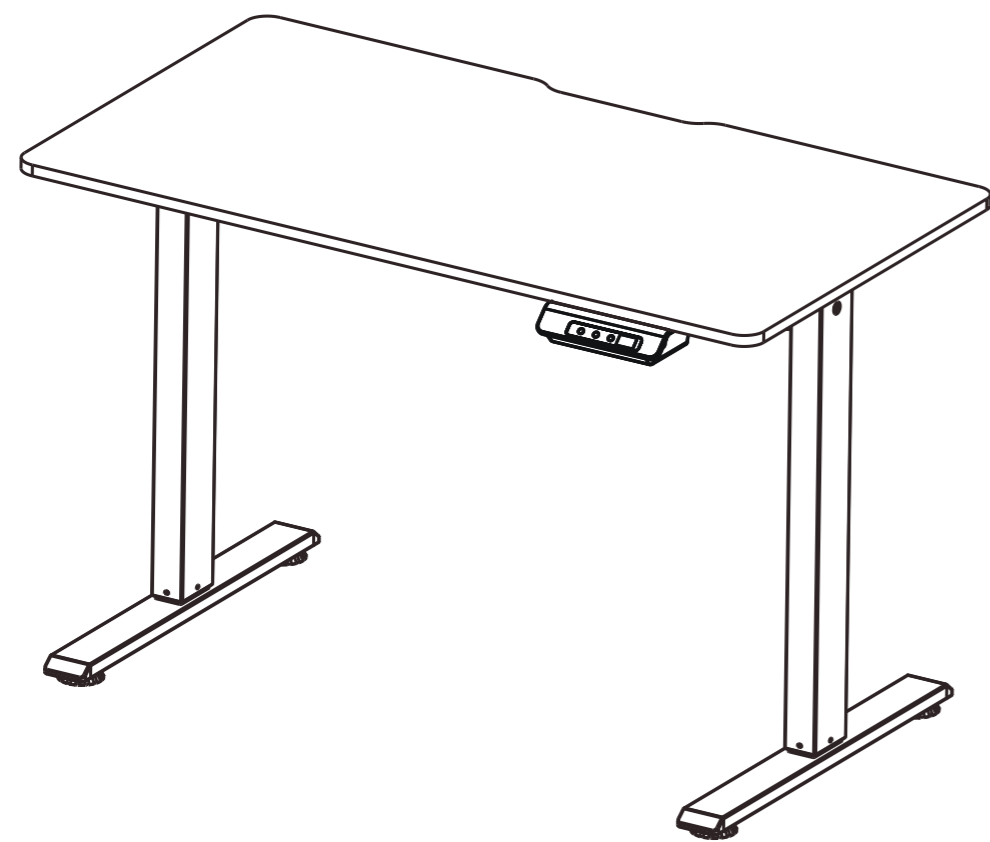




Jan Nowak®
Standing Desk



Egon 1100

SCREW ACCESORIES



S1 x1



6mm

S2 x1



3mm

S3 x12



M8*16

S4 x2



M5*16

S5 x2



M4*12

S6 x9



M8*25

S7 x3



S10 x4



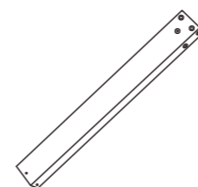
S11 x30



M4*14

PARTS ACCESORIES

A x2



B x2



C x2



D x1



F x1



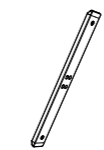
G x1



H x1



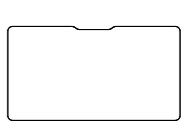
I x2



J x2



K x1



M x1



N x1



O x1



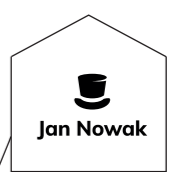
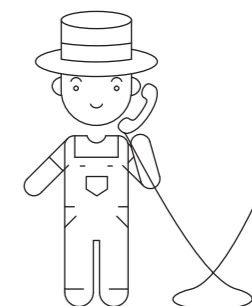
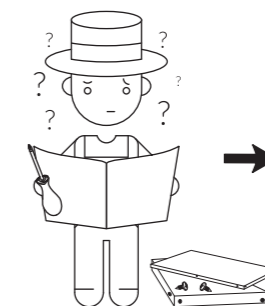
P x1



Q x1

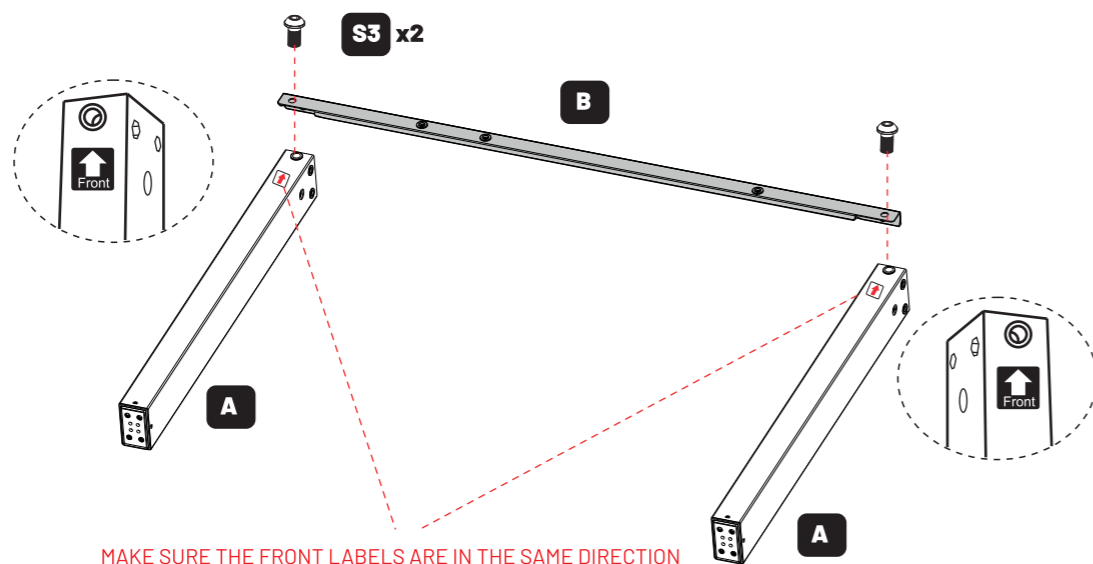
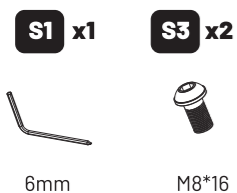
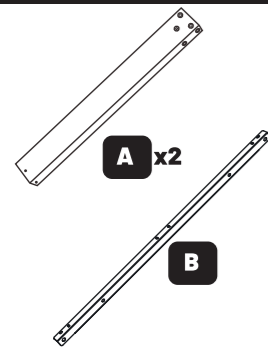


CONTACT



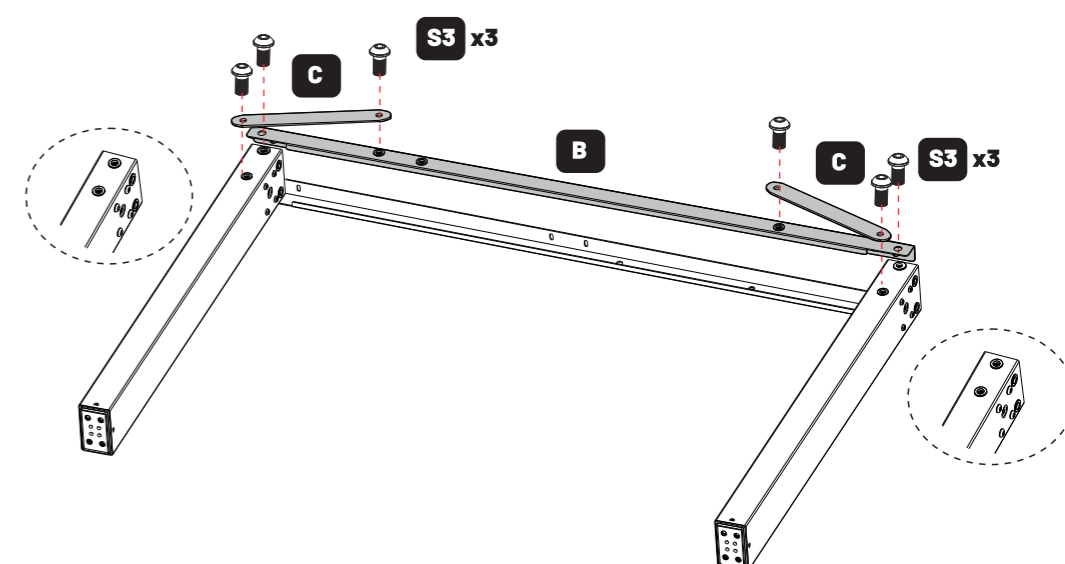
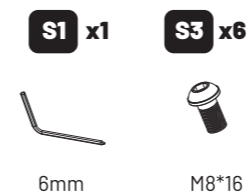
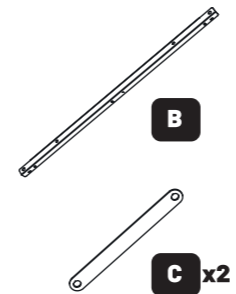
PL +48 68 422 84 24

STEP 1

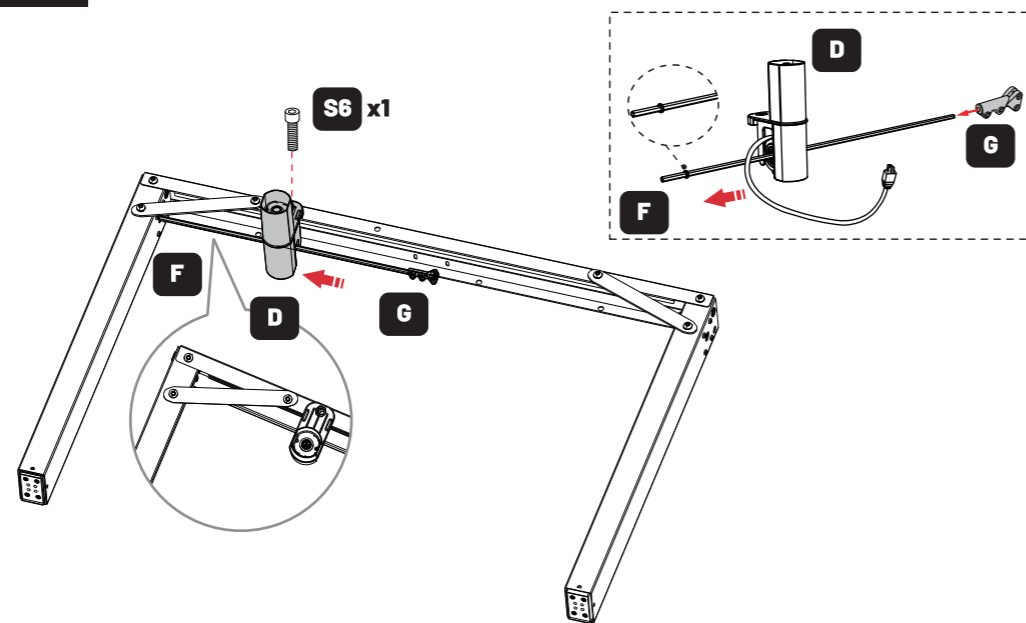
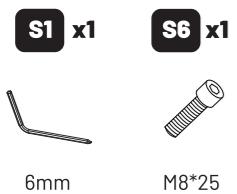
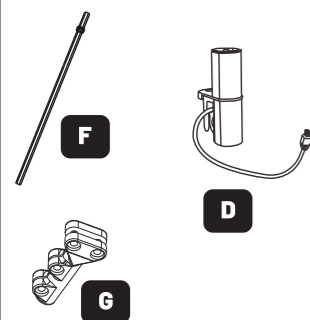


MAKE SURE THE FRONT LABELS ARE IN THE SAME DIRECTION

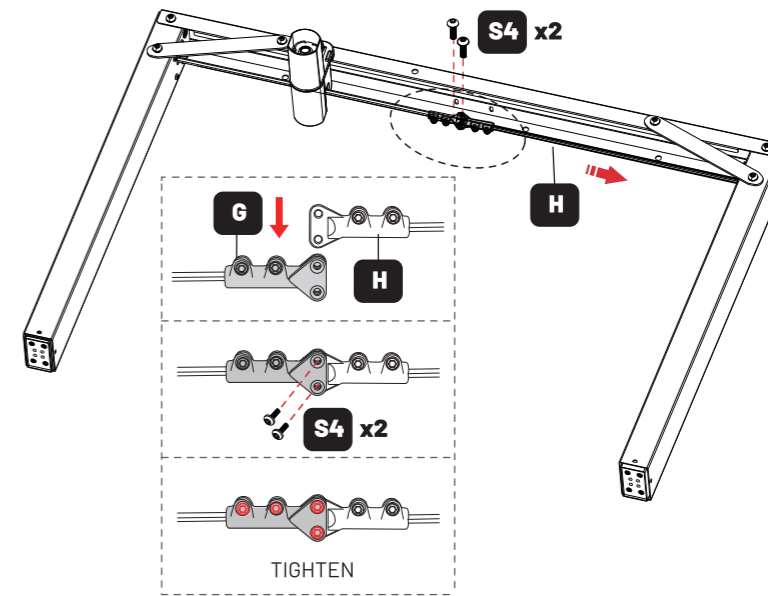
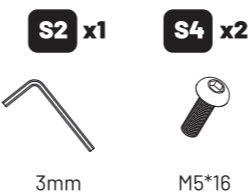
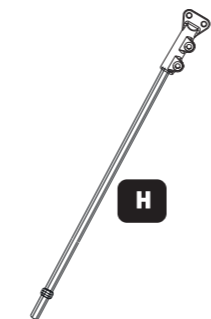
STEP 2



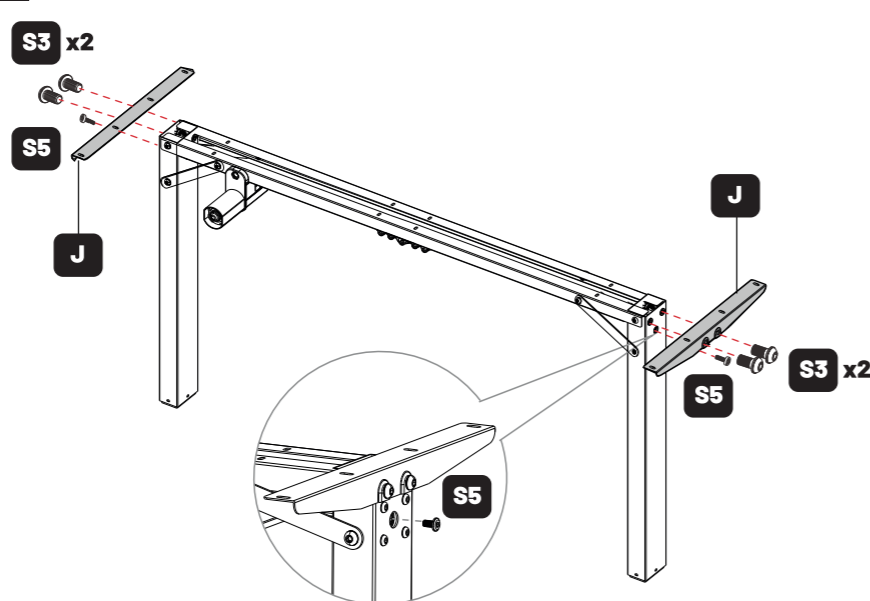
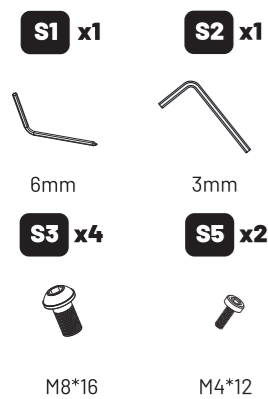
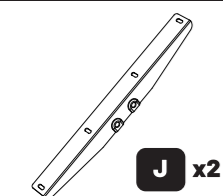
STEP 3



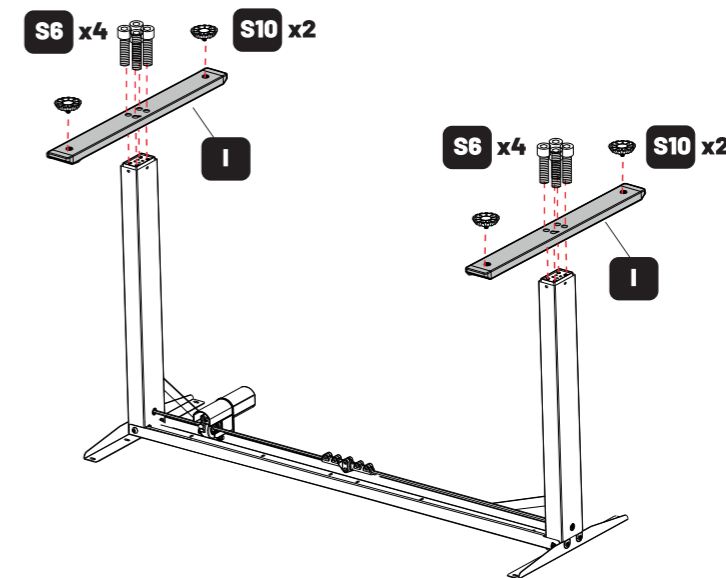
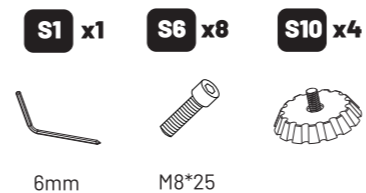
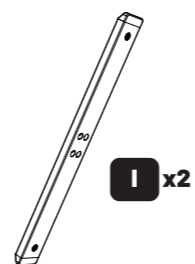
STEP 4



STEP 5



STEP 6



PLEASE MAKE SURE THE TABLE LEGS ARE VERTICAL TO THE CONNECTING ROD. AND THEN TIGHTEN ALL SCREWS.

STEP 7



K



O

S1 x1

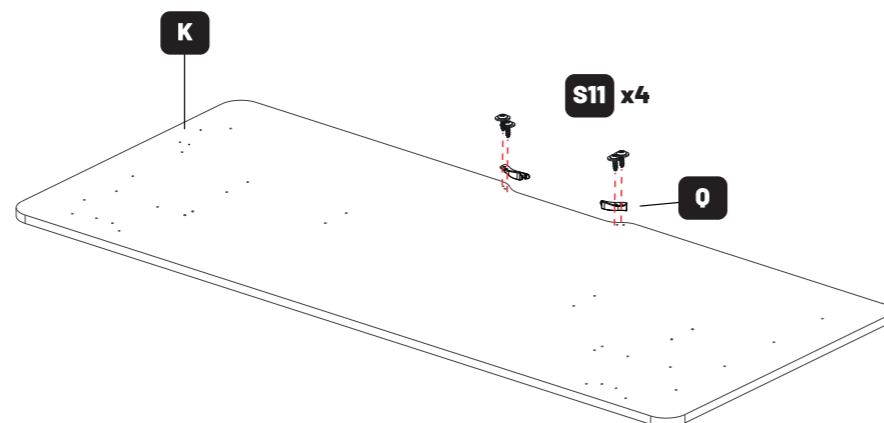
S11 x4



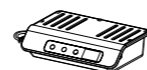
6mm



M4*14



STEP 8



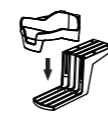
M



N



P



O

S1 x1

S11 x26

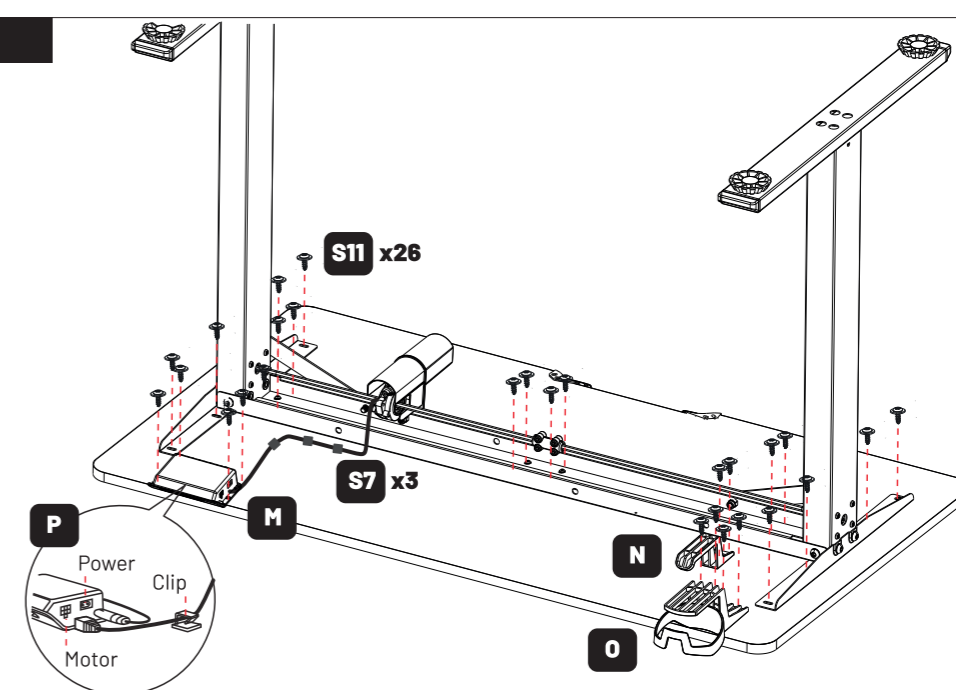
S7 x3



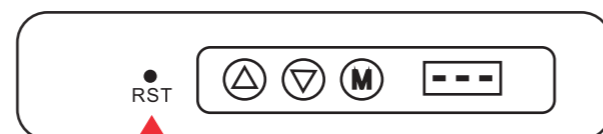
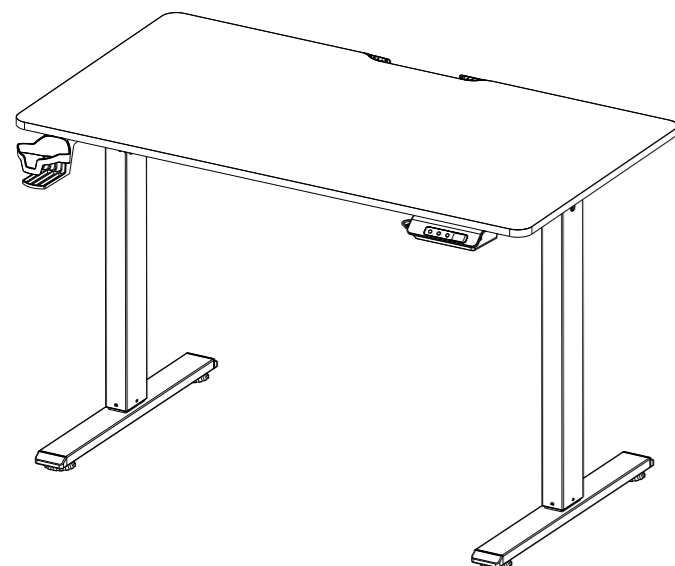
6mm



M4*14



STEP 9



**AFTER THE TABLE IS INSTALLED,
PLEASE PRESS THE RST KEY TO START**



FR

Pensez à donner ou recycler.



Association

ou



Magasin

ou



Déchèterie