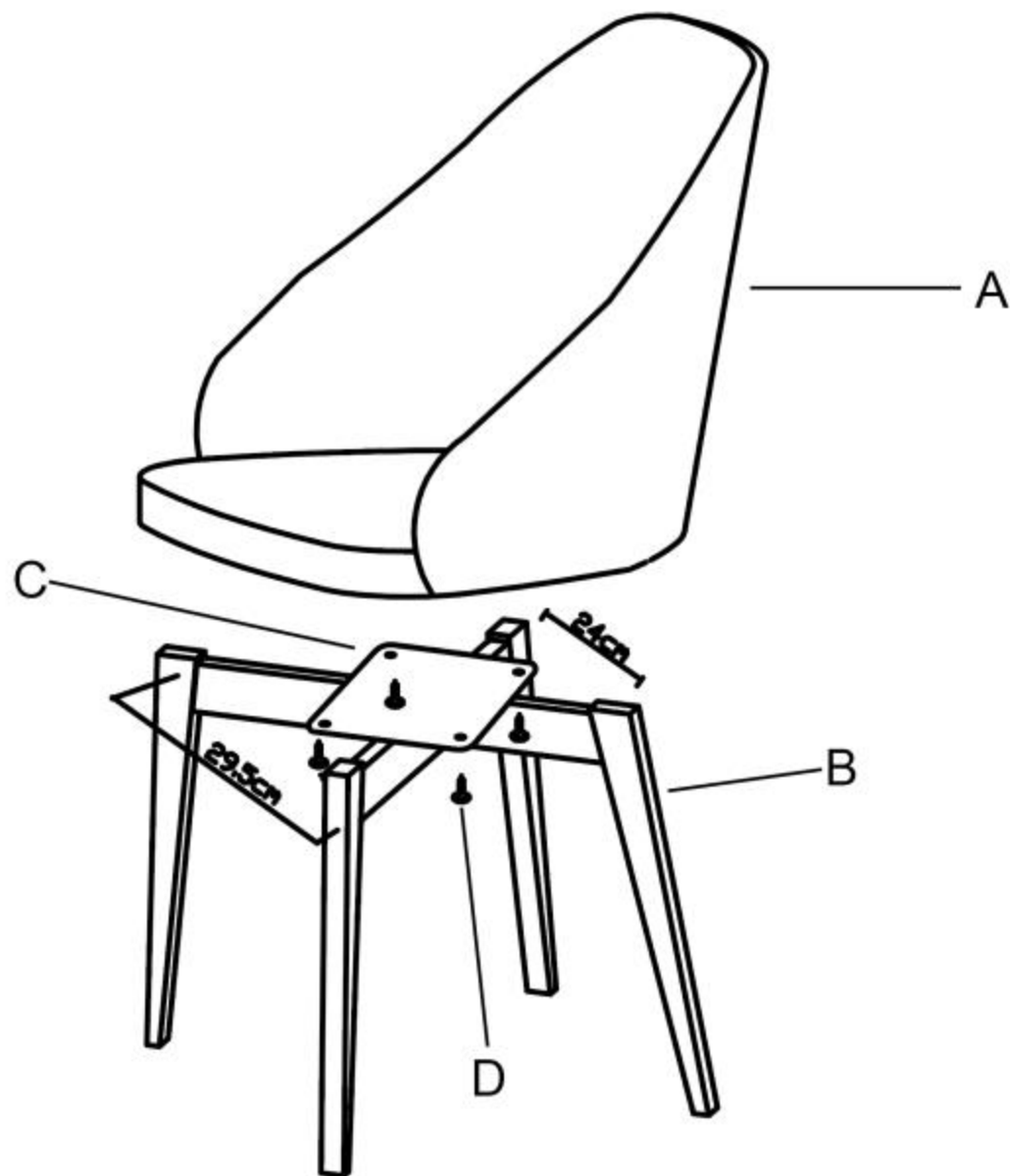
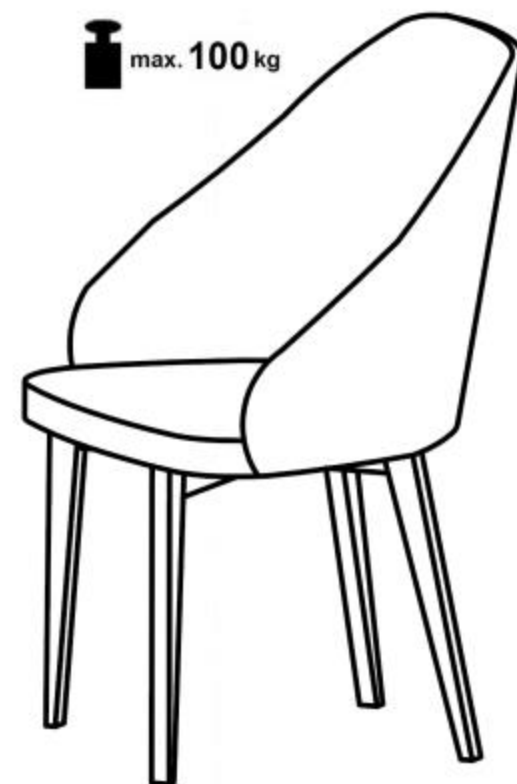


MALAGA



| | | |
|---|----------|---|
| A | | 1 |
| B | | 1 |
| C | | 1 |
| D | M6x20 mm | 4 |



v.1