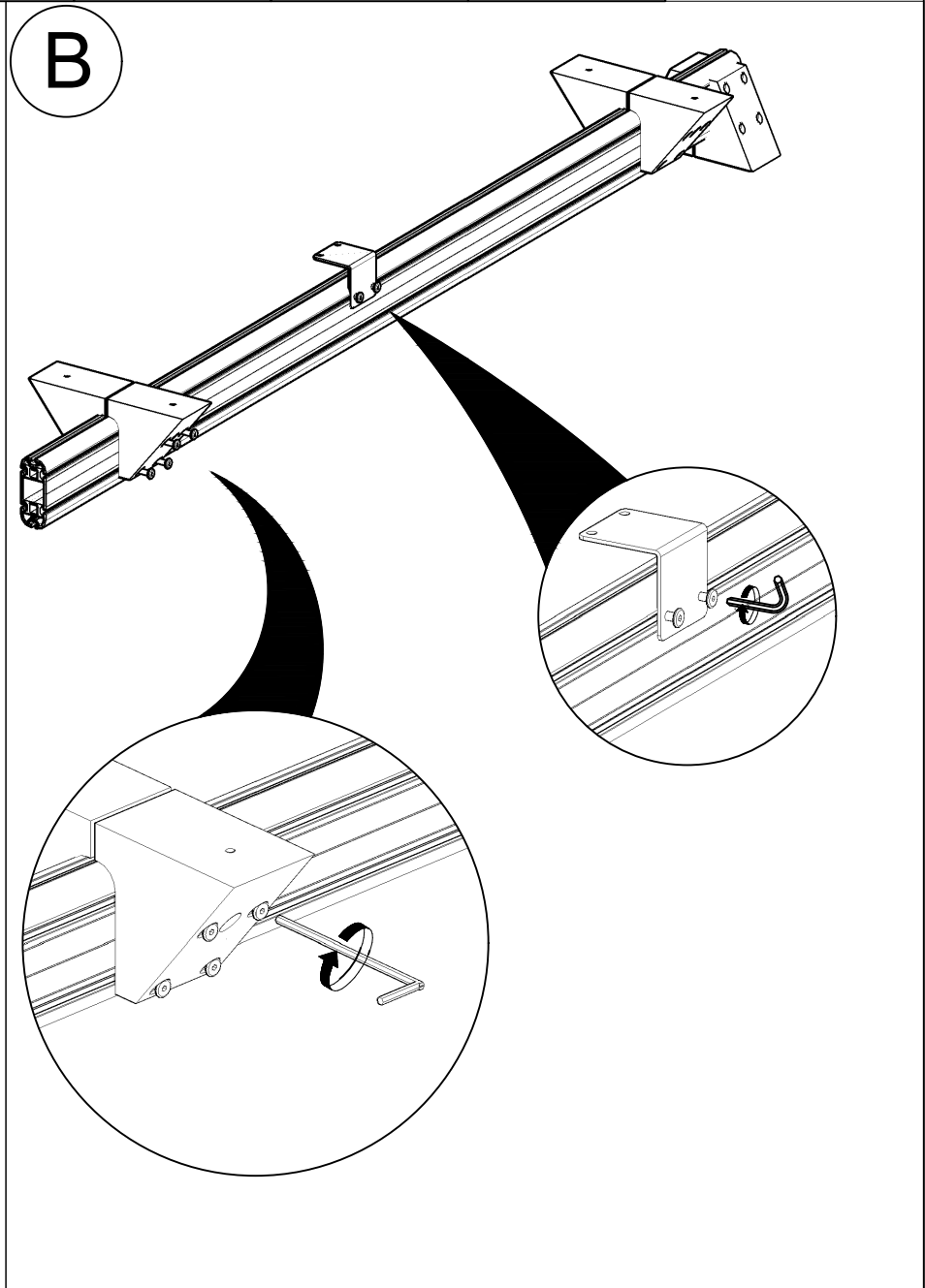
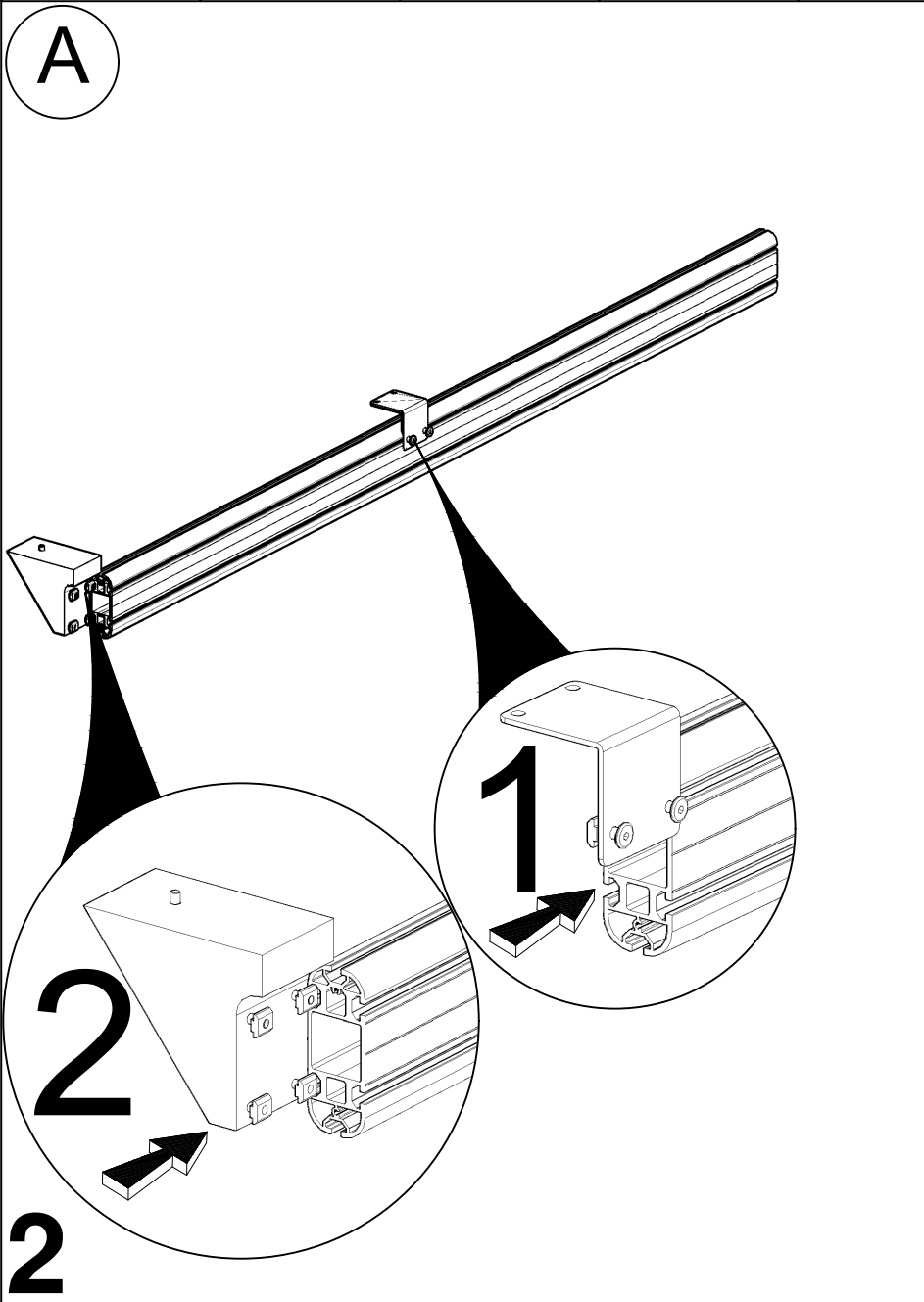
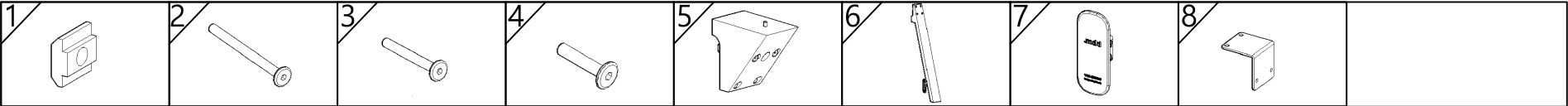
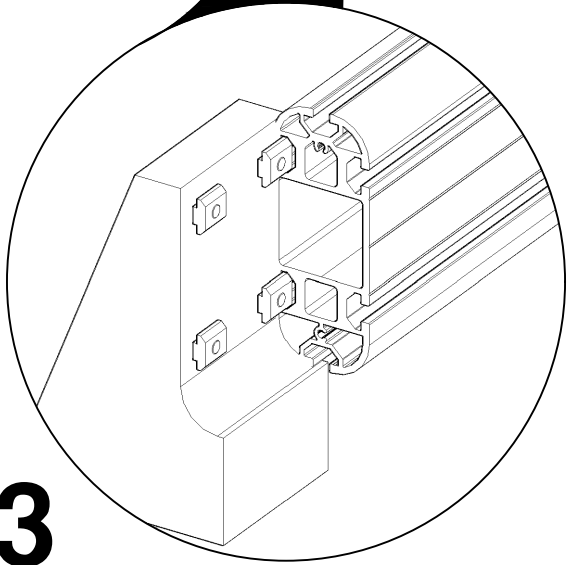
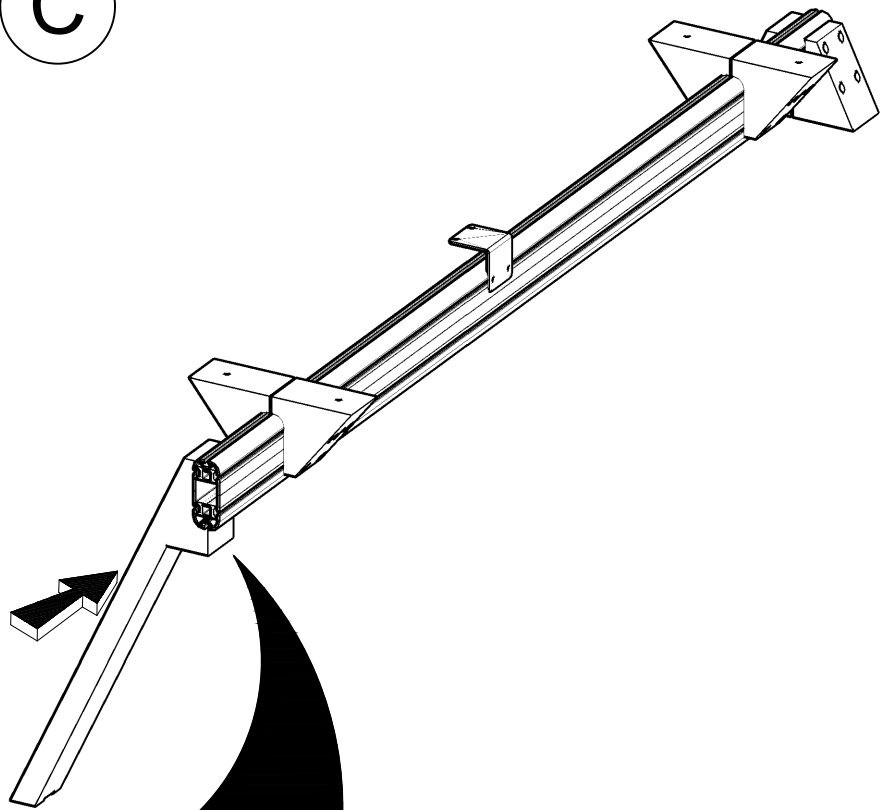


1

V03P

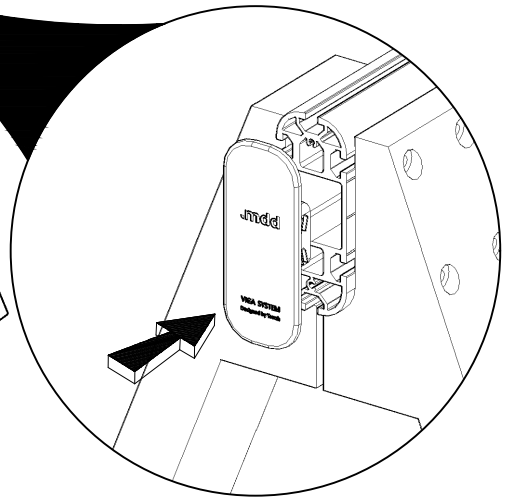
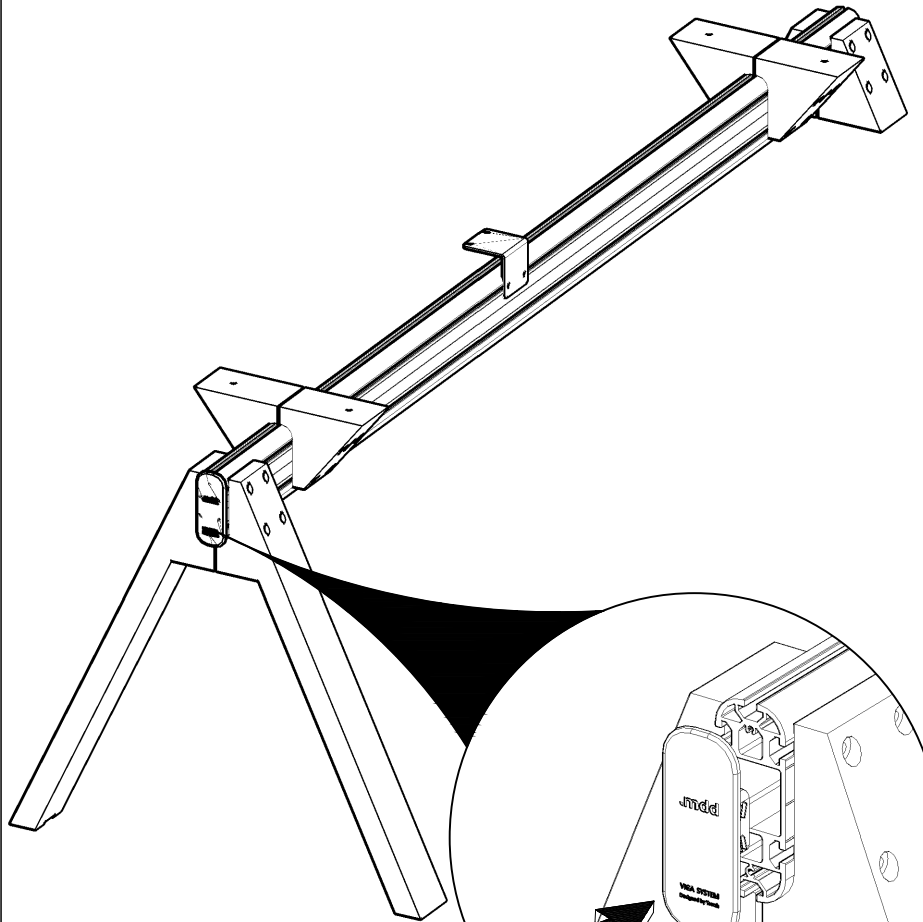


C

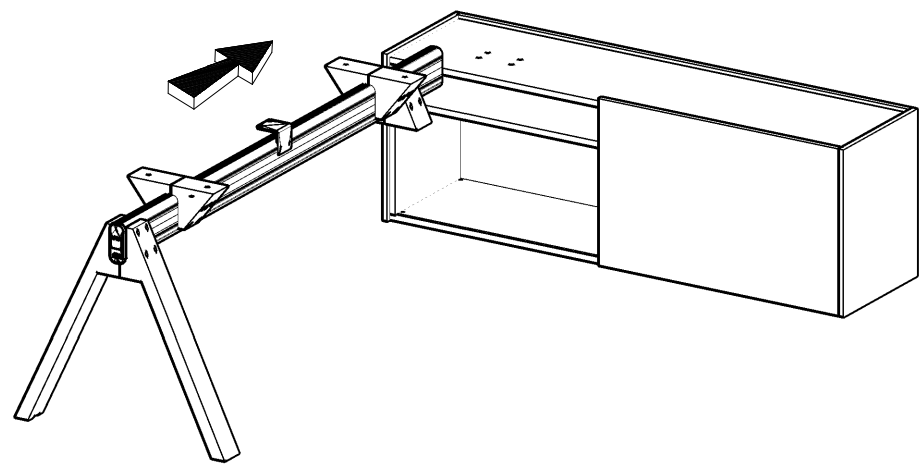


3

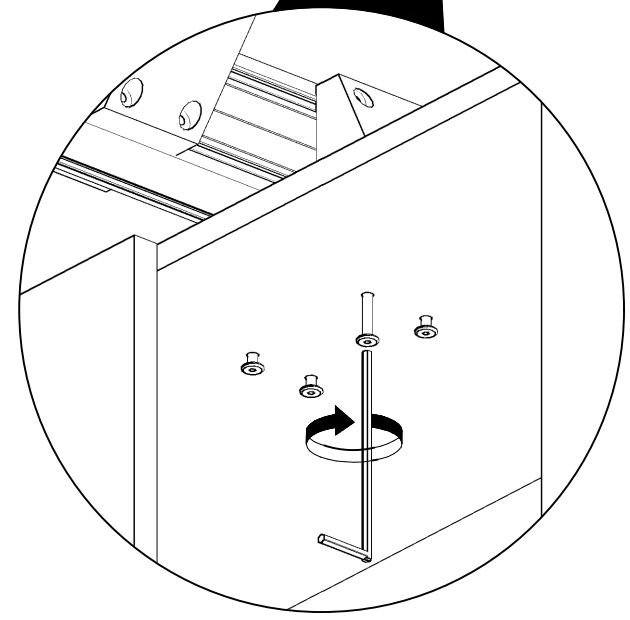
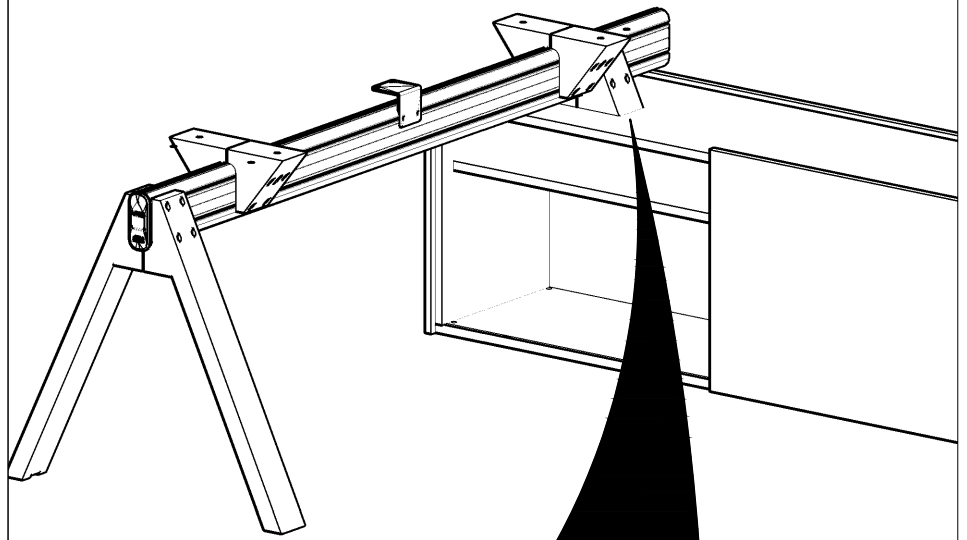
D



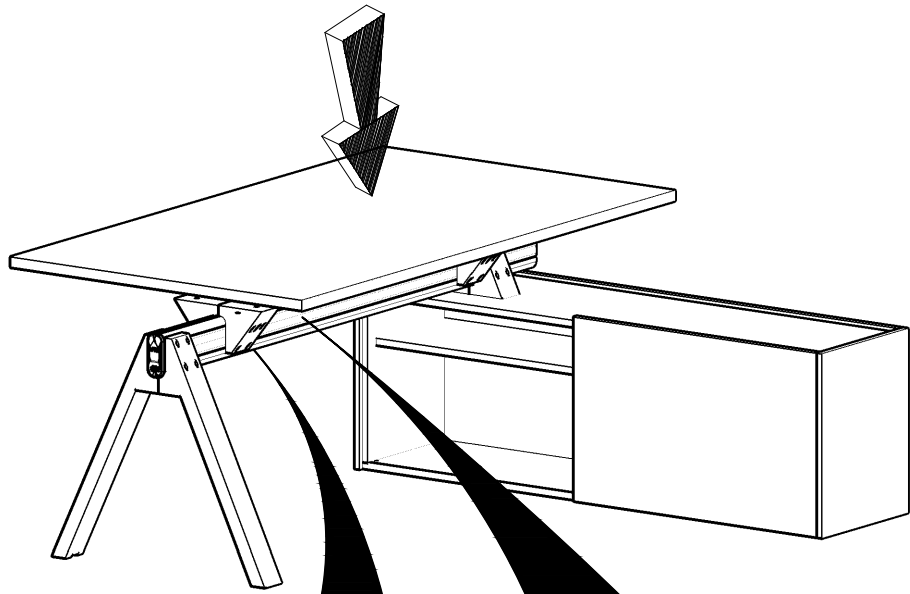
E



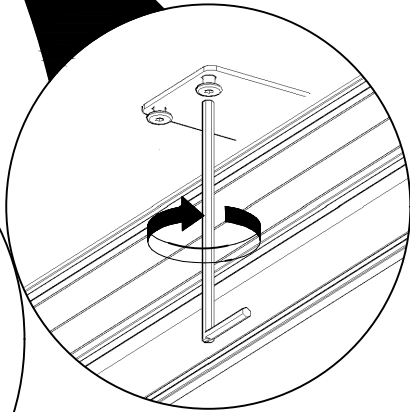
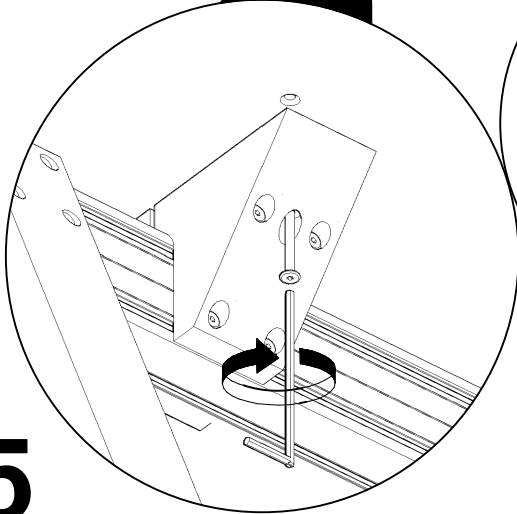
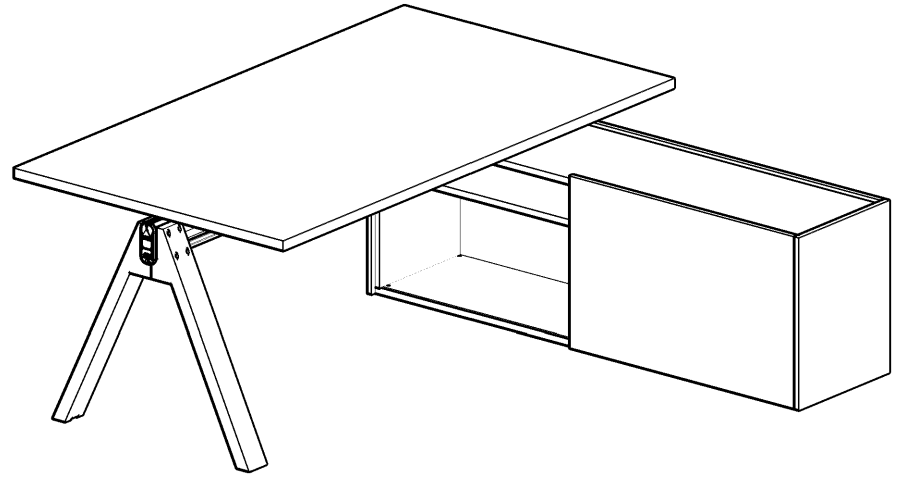
F



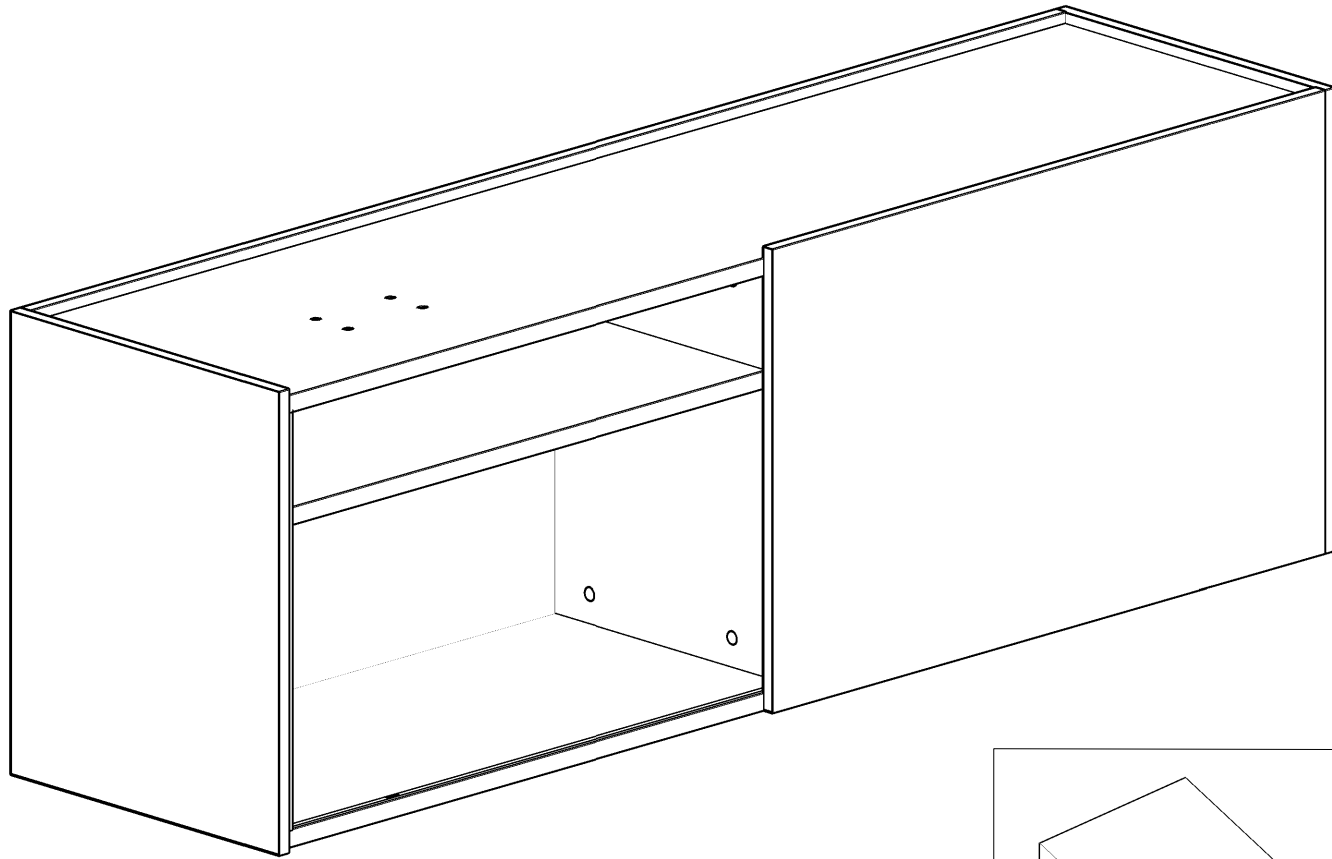
G



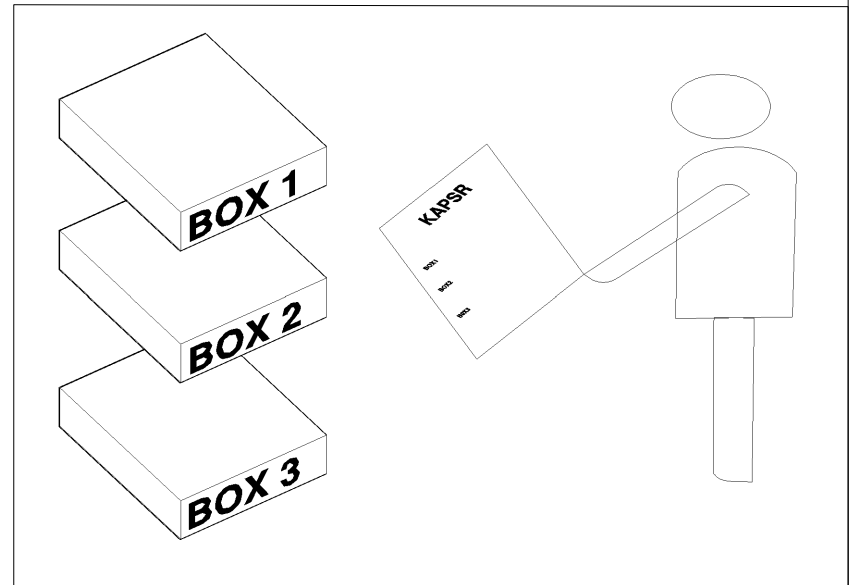
H

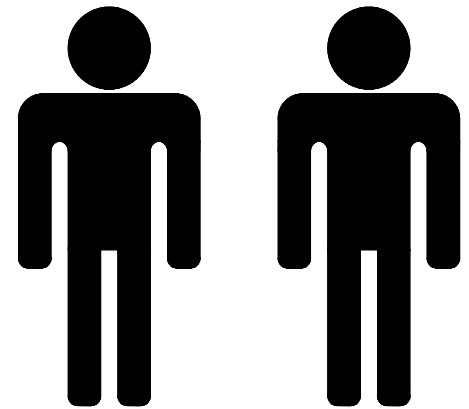
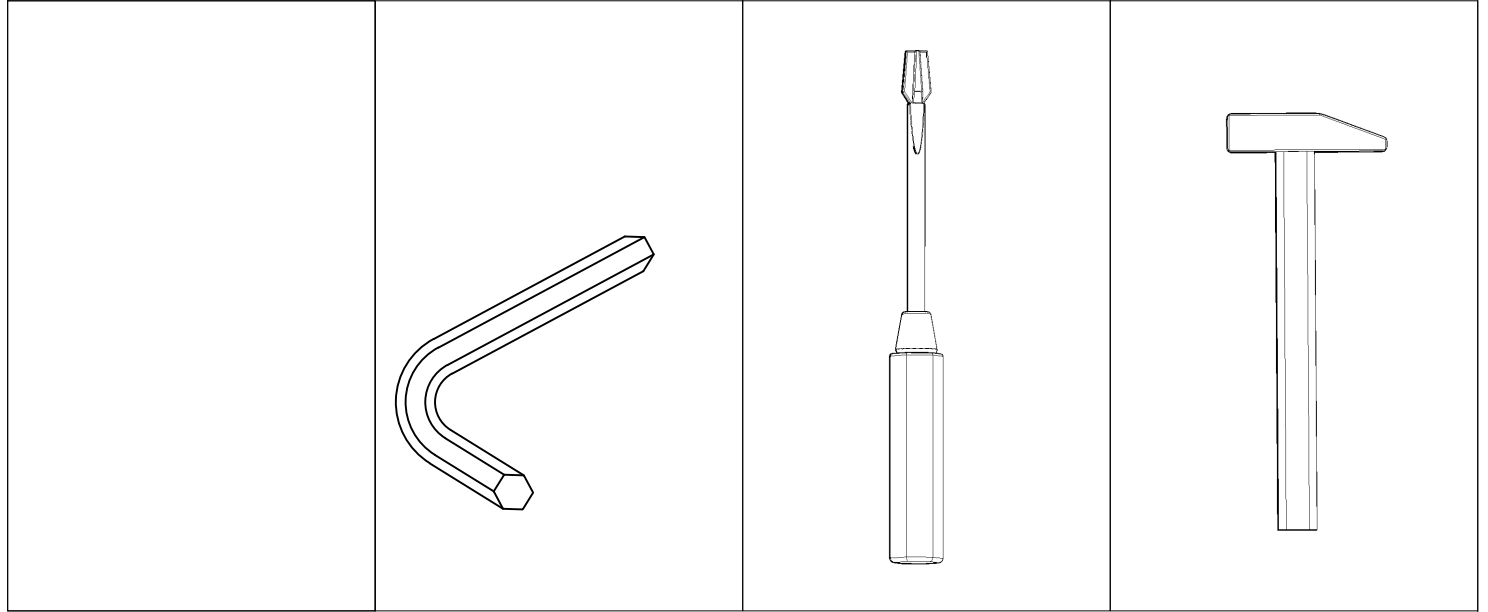
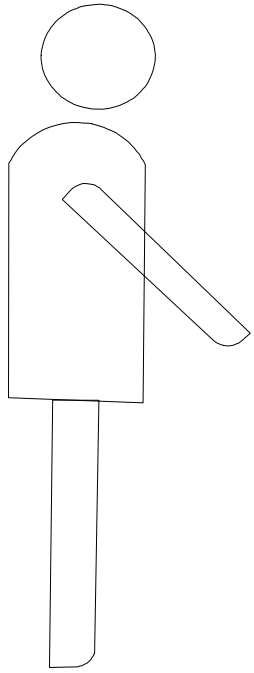


5

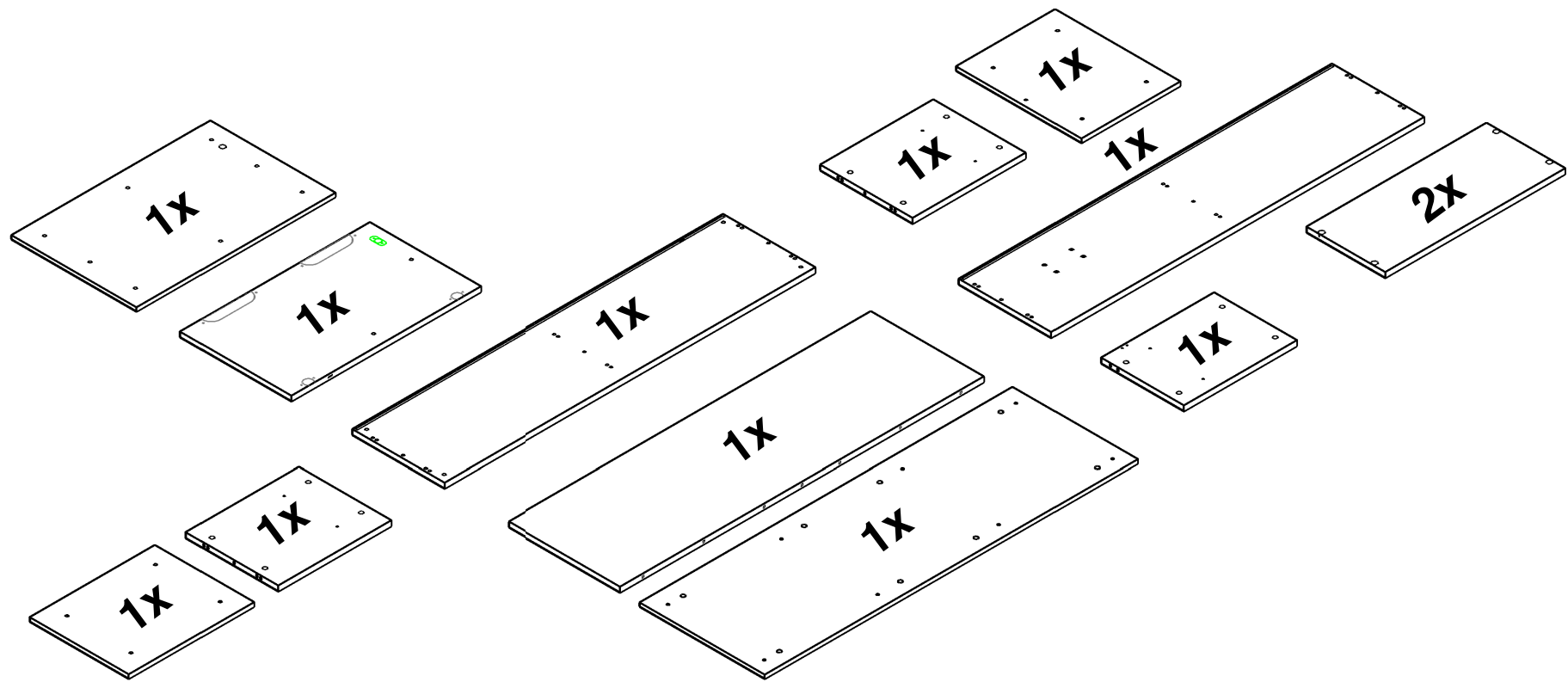


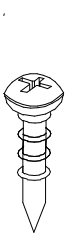
V29



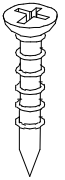


2

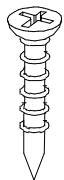




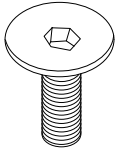
2x



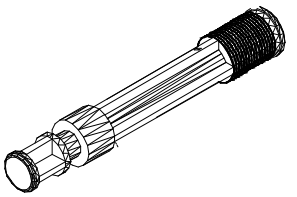
6x



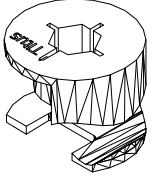
2x



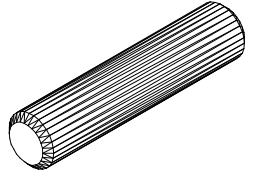
16x



20x



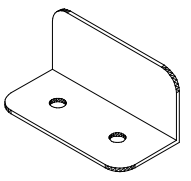
20x



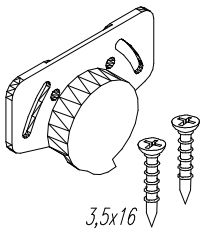
22x



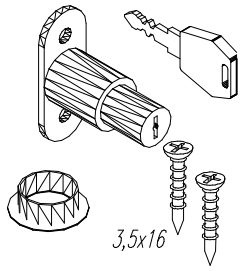
8x



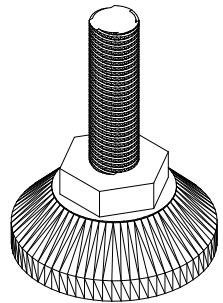
1x



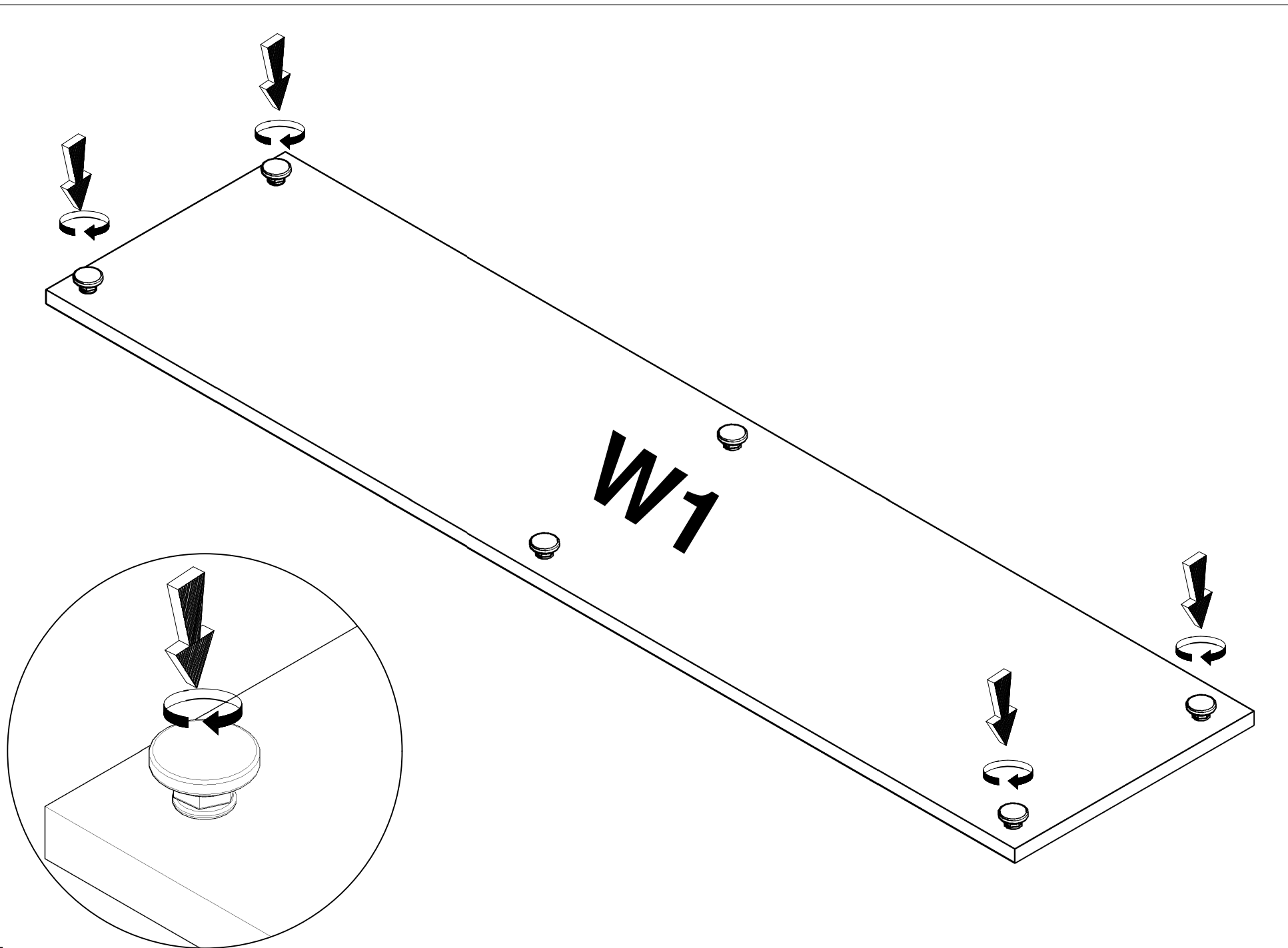
4x



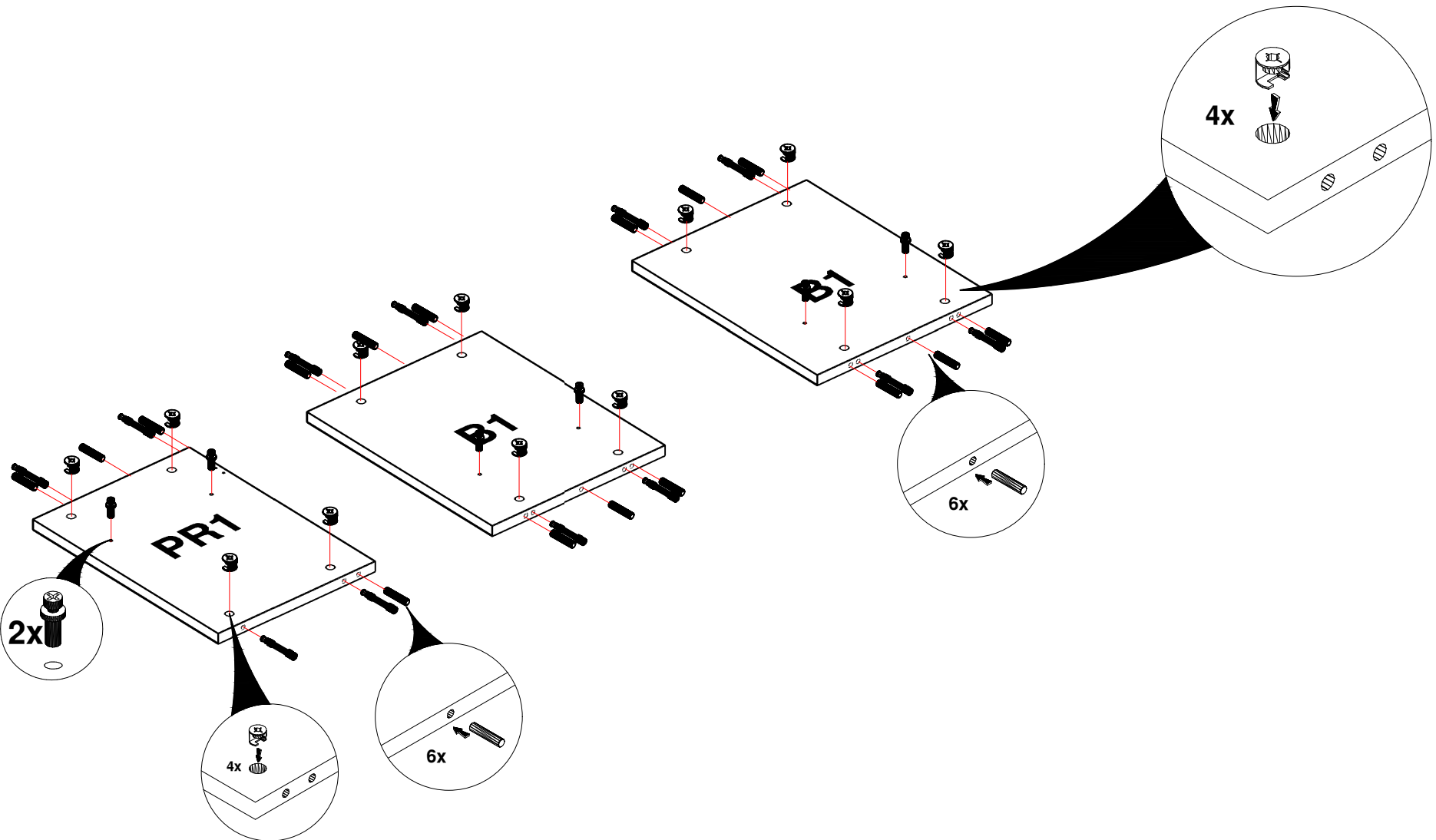
2x

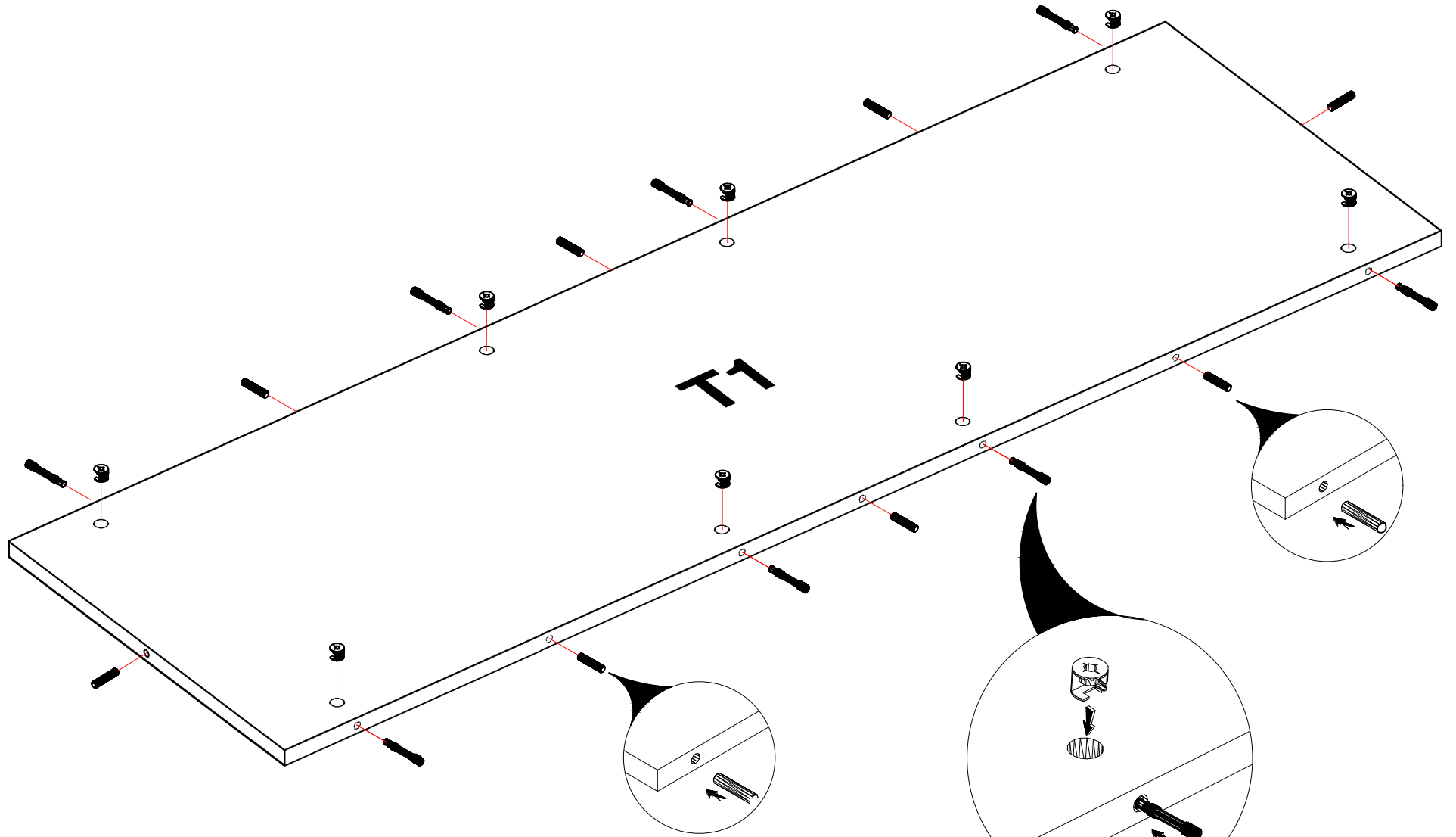


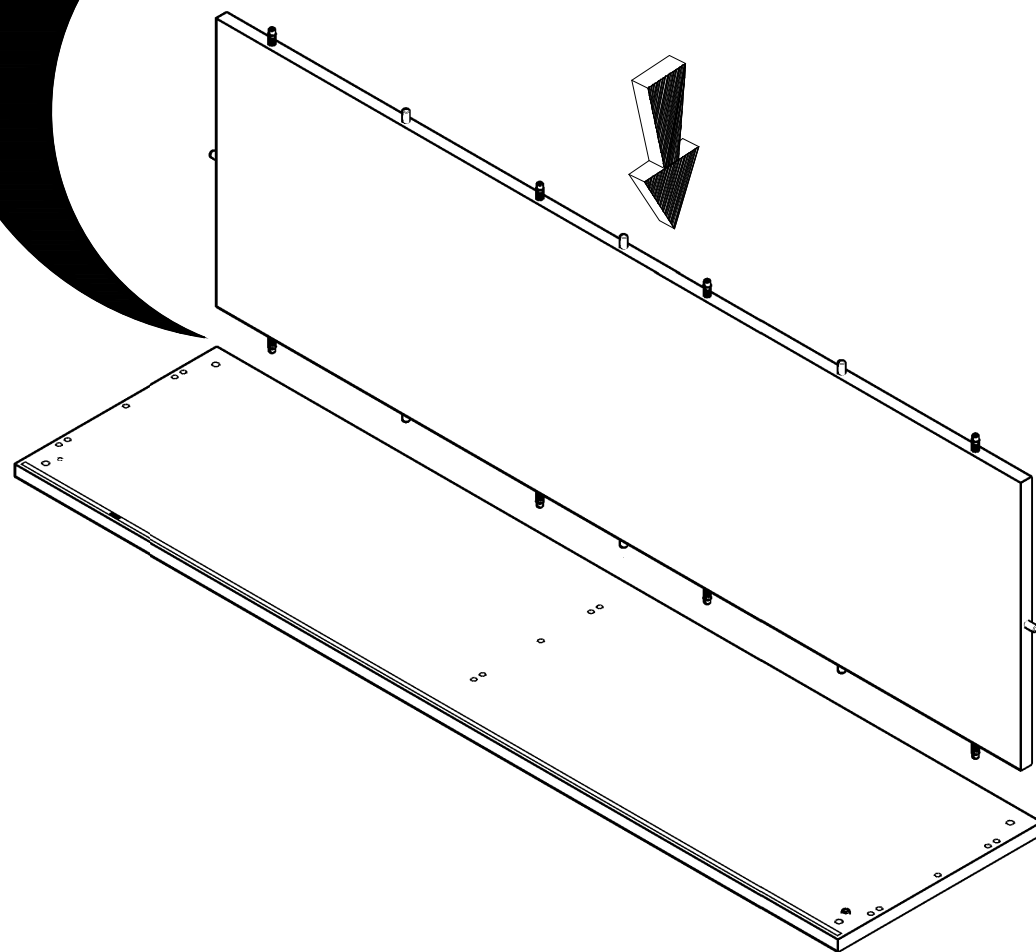
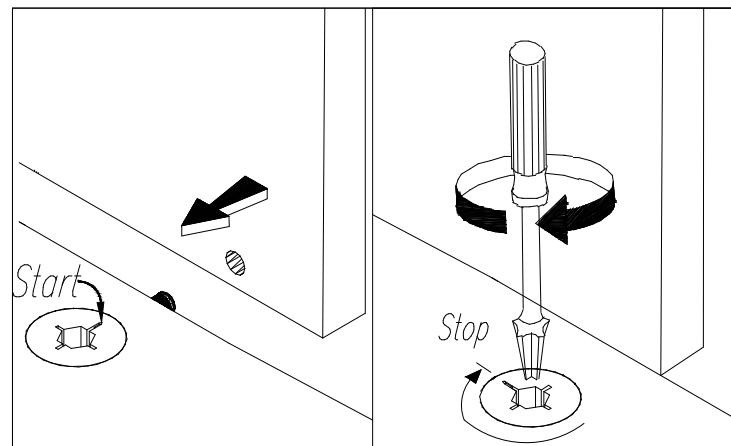
6x

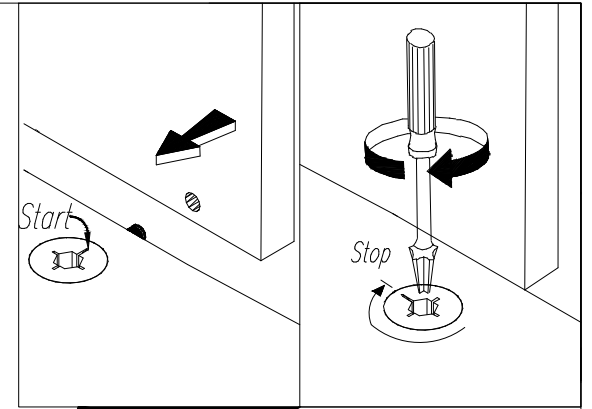
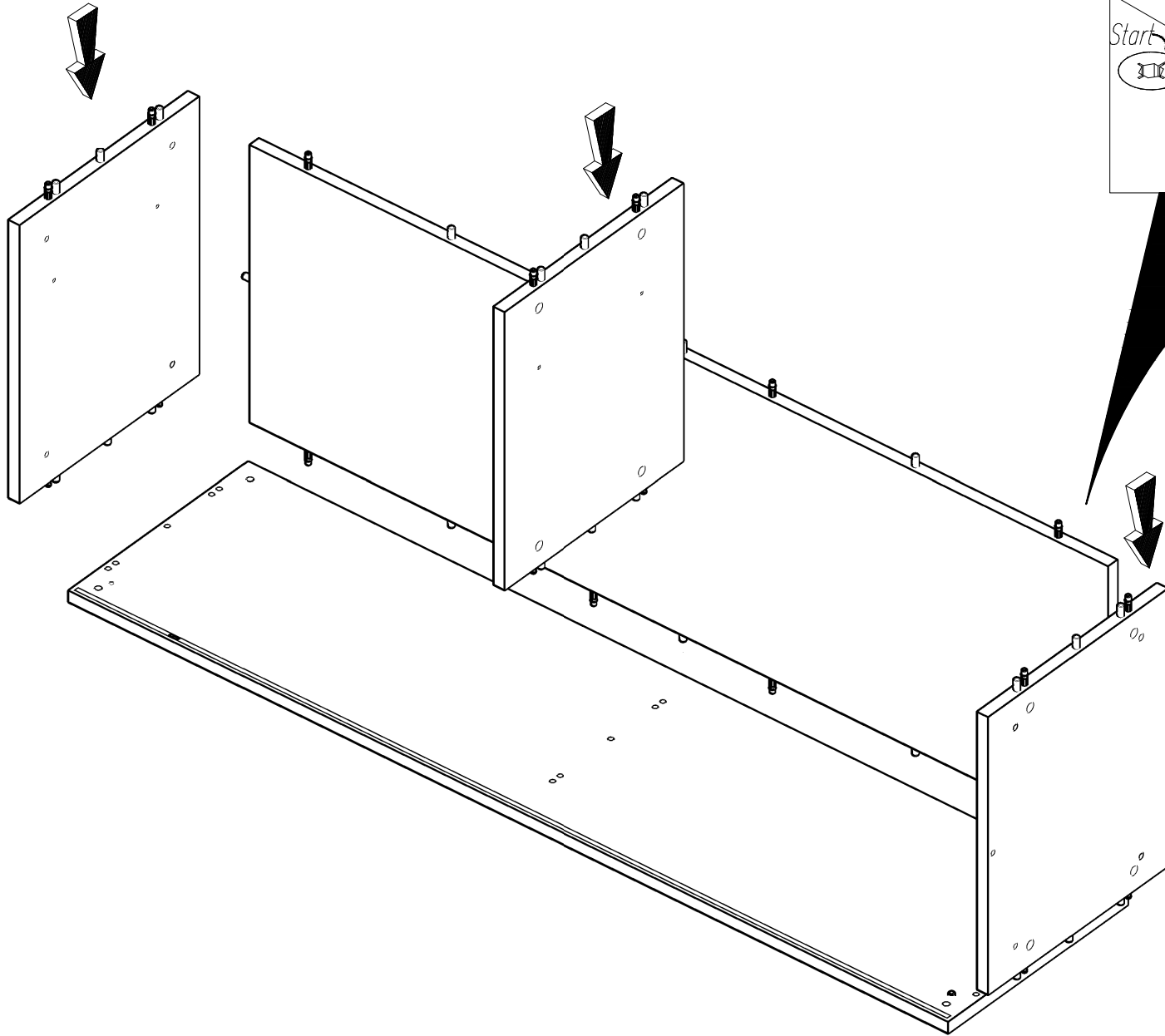


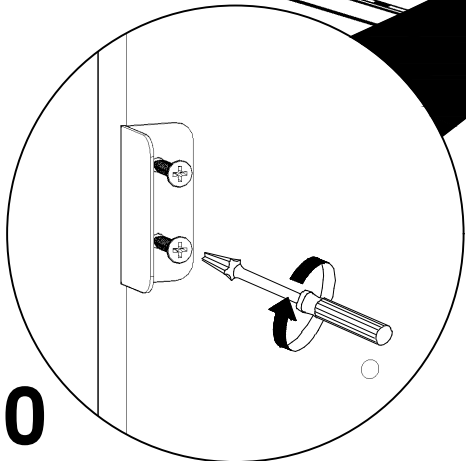
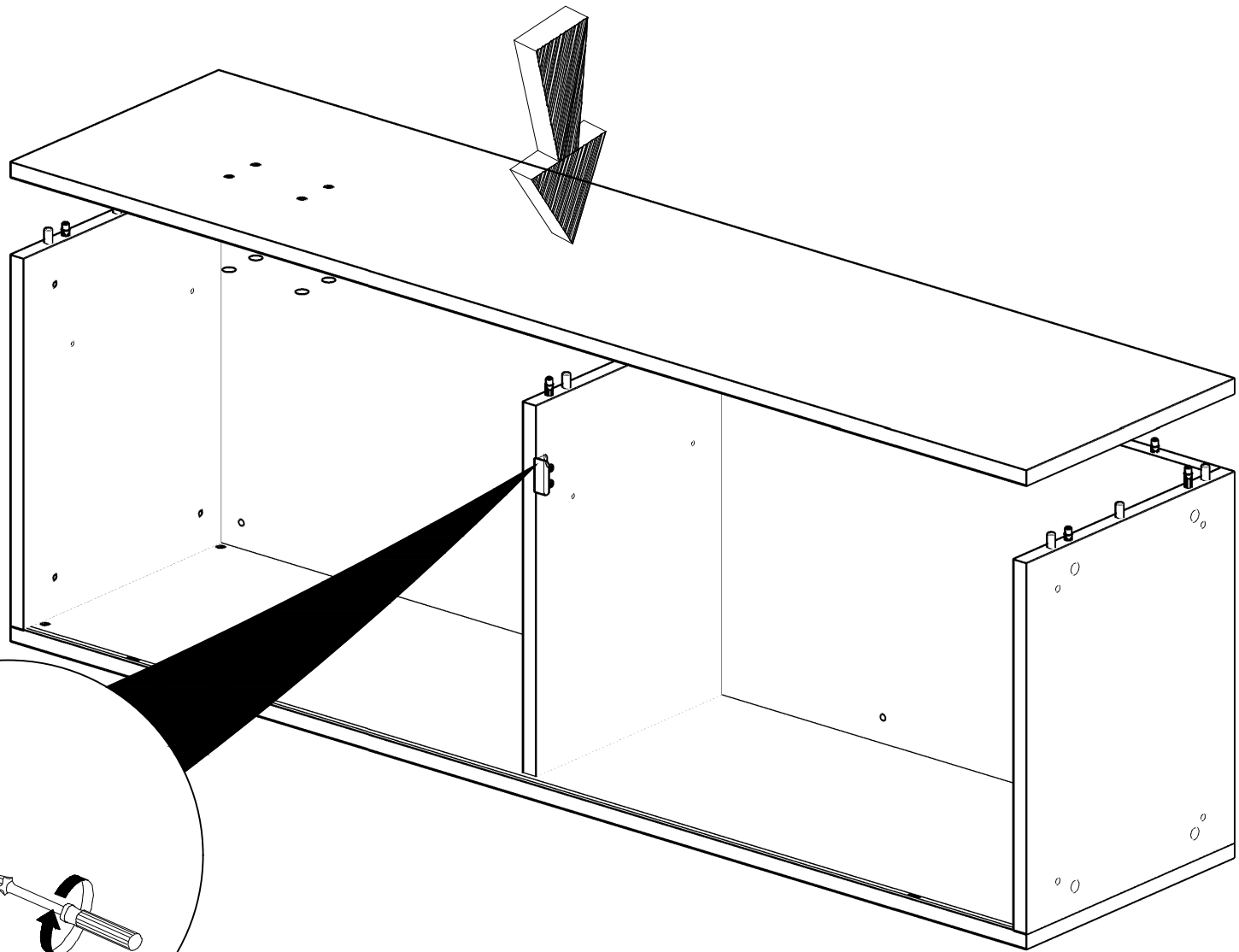
5











10

