
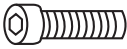




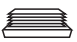


Ax8 	Ex8 
Bx16 	Fx1 
Cx1 	Gx4 
Dx4 	Hx1 