








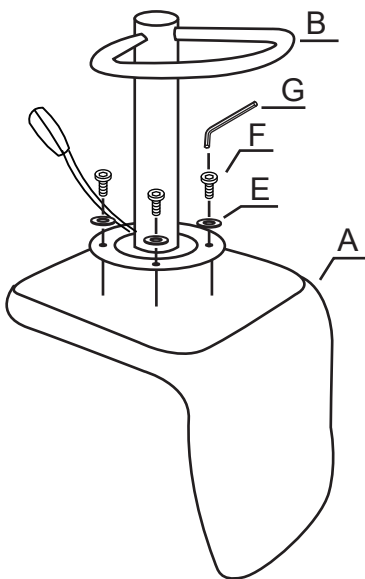
ASSEMBLY INSTRUCTION

Item NO.: Arcos

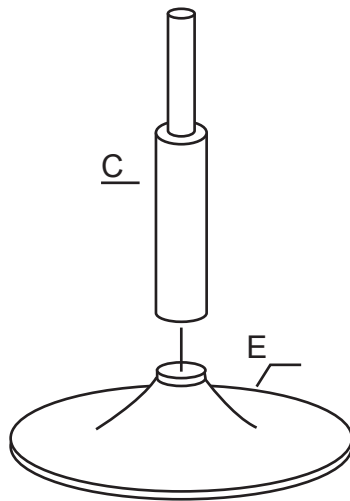
HARDWARE LIST			
NO.	PART	DESCRIPTION	Q'TY
A		seat	1
B		connecting piece	1
C		air leg	1
D		base	1
E		gasket	4
F		screw	4
G		allen key	1



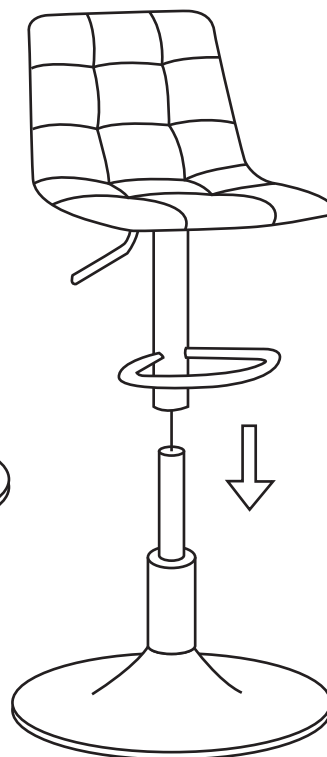
step:1



step:2



step:3



step:4

