

ASSEMBLING INSTRUCTION

1 X1PC



2 X1PC



3 X1PC



A X7PCS



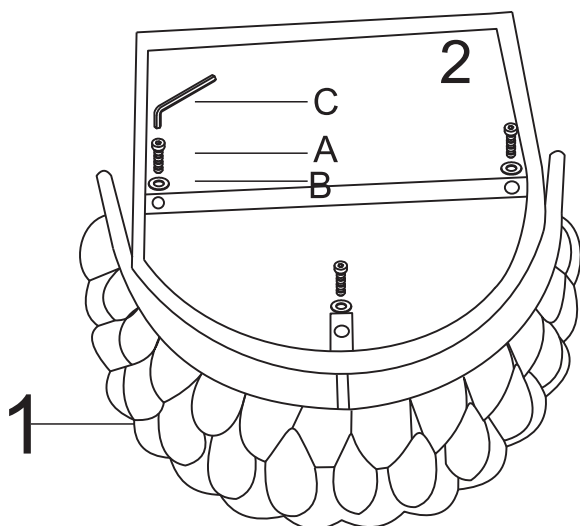
B X7PCS



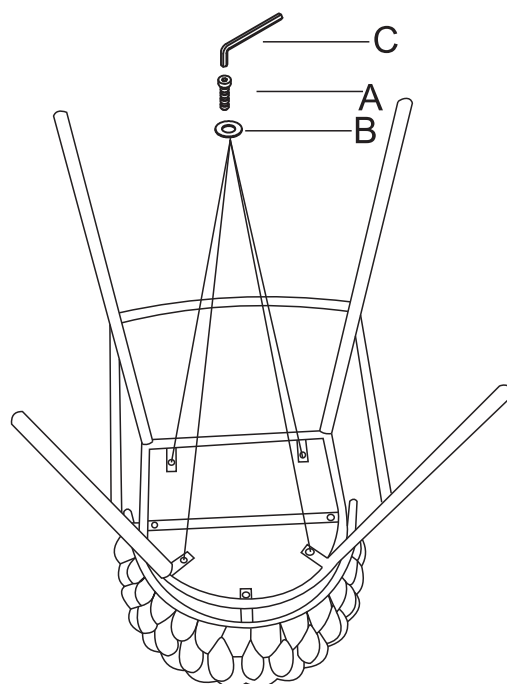
C X1PC



1



2



3

