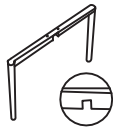


# ASSEMBLING INSTRUCTION

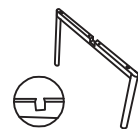
1 X1PC



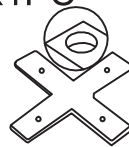
2 X1PC



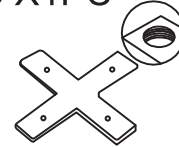
3 X1PC



4 X1PC



5 X1PC



6 X1PC



A X3PCS



6x25mm

B X8PCS



6x18mm

C X4PCS



8x40mm

D X4PCS



E X1PC



6x18x10mm

F X2PCS



6x18x5mm

G X4PCS



H X4PCS



8x18mm

I X1PC



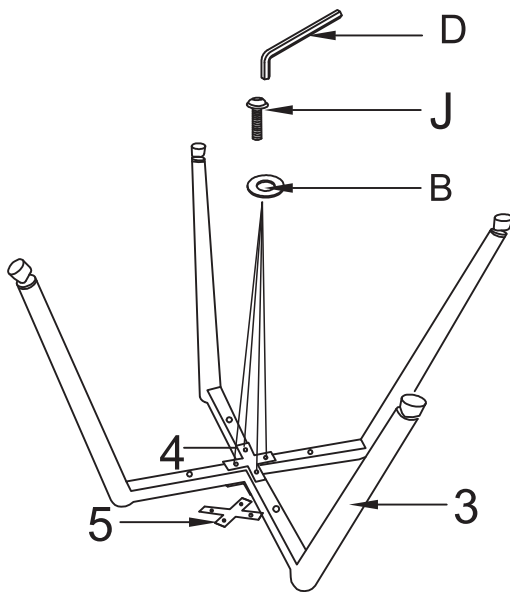
6x30mm

J X4PCS

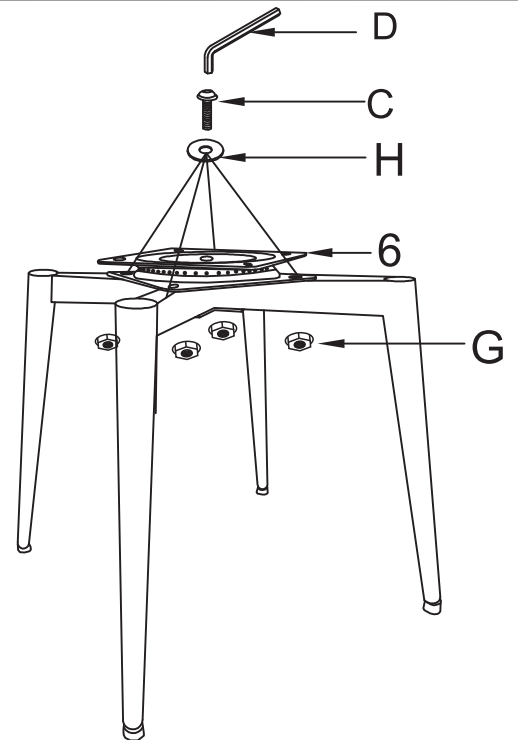


6x37mm

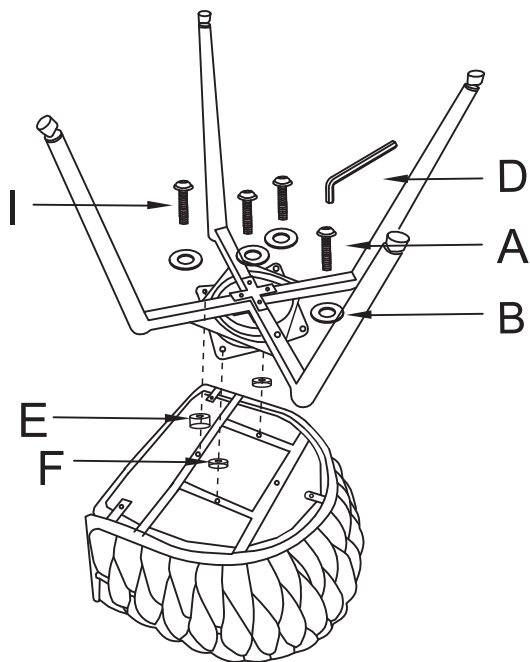
1



2



3



4

