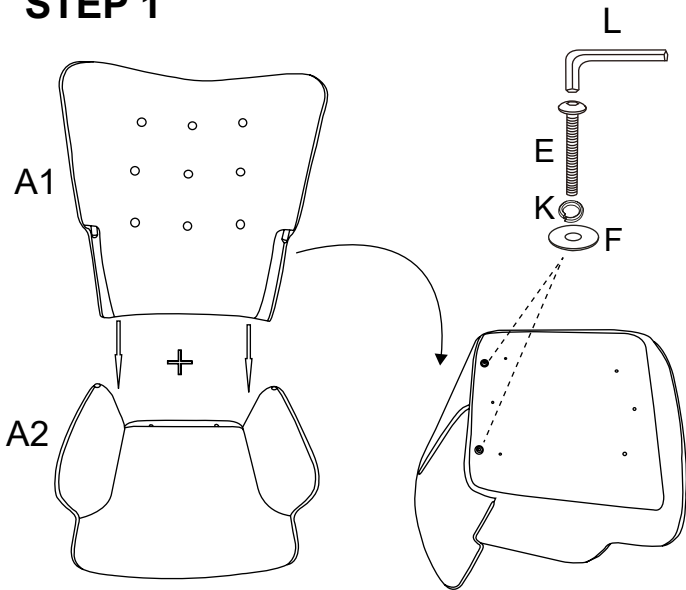


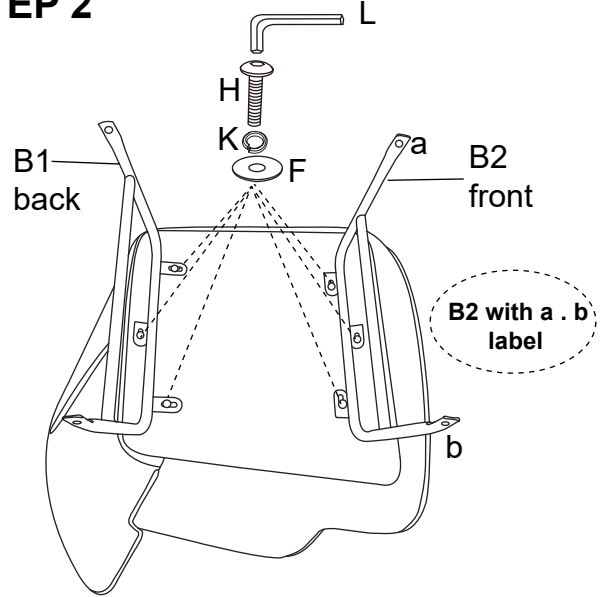
ASSEMBLY INSTRUCTIONS

A1 x1pc 	A2 x1pc 	B1 x1pc 	B2 x1pc 	C x1pc left leg 	E x2pcs M6x40mm 	G x4pcs M8x25mm 	H x6pcs M6x18mm 	L x1pc M6
				D x1pc right leg 	F x12pcs M8 		K x12pcs M8 	J x2pcs

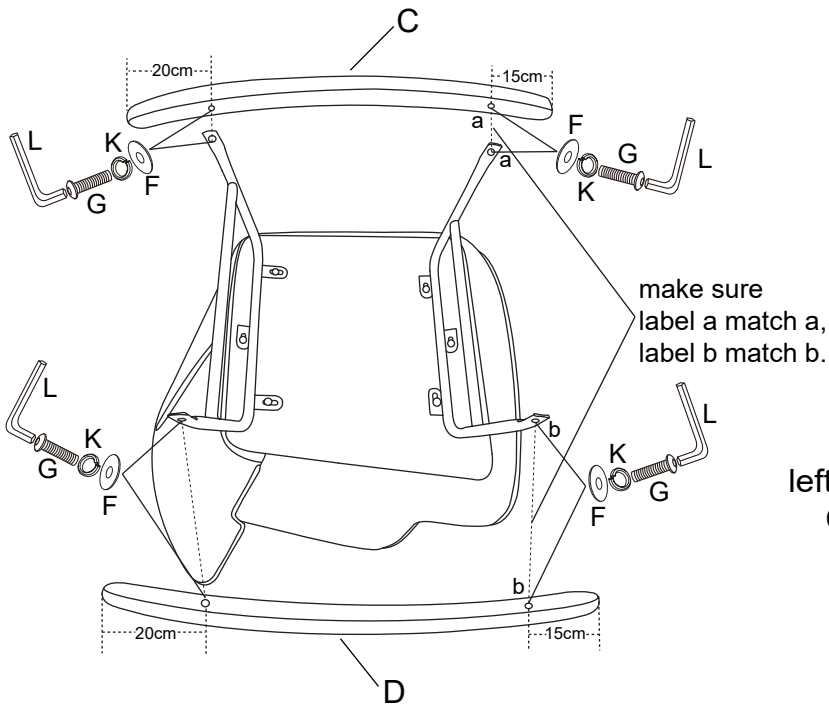
STEP 1



STEP 2



STEP 3



STEP 4

