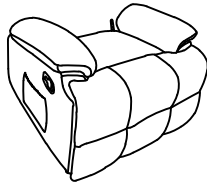
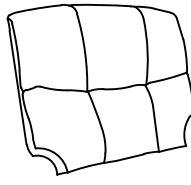
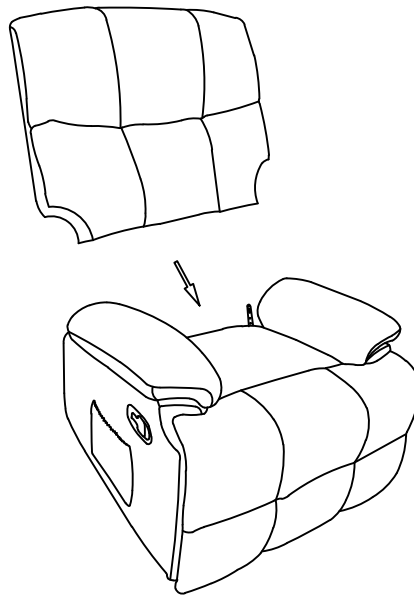


ASSEMBLY INSTRUCTIONS

A*1	B*1
 A line drawing of a chair's seat and backrest assembly, showing a rectangular base with a curved front edge and a backrest with a horizontal crease.	 A line drawing of a chair's backrest cushion, showing a rectangular shape with vertical and horizontal lines indicating its segmented structure.

STEP 1:



STEP 2:

