

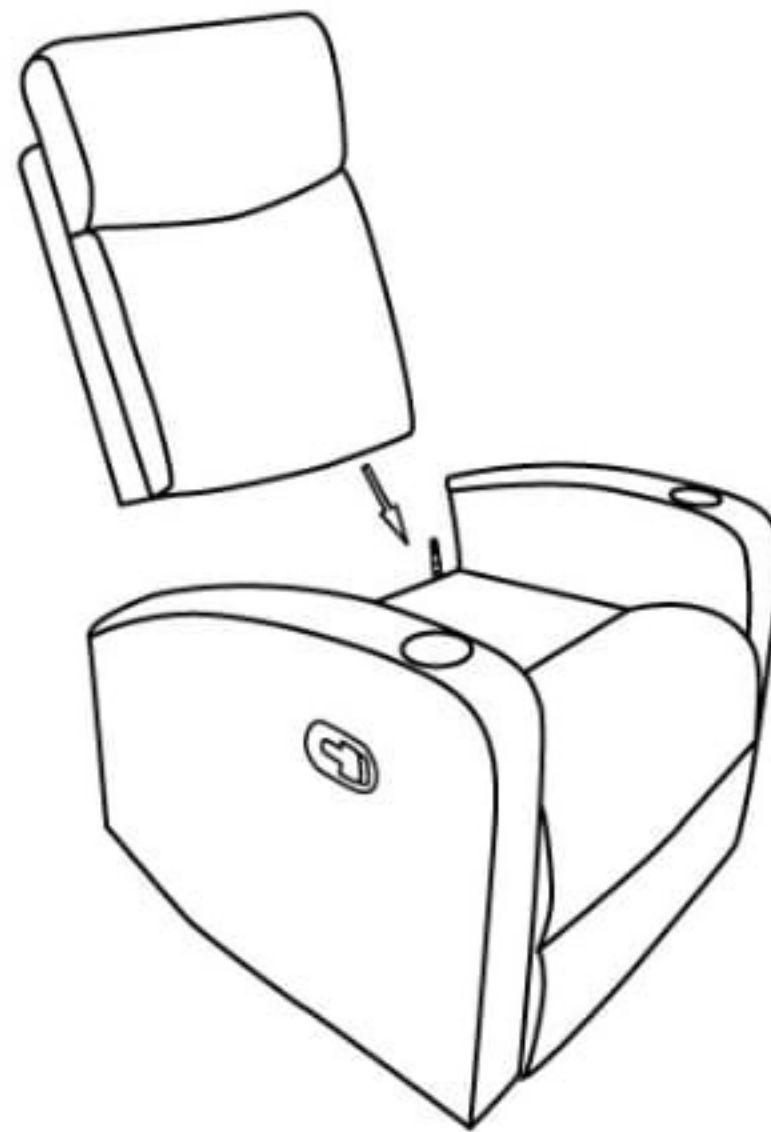


ASSEMBLY INSTRUCTIONS

A*1	B*1
 A line drawing of a seat base, labeled A*1. It features a curved front panel with a circular logo in the center, two circular cutouts on the side, and a backrest attachment point.	 A line drawing of a seat backrest, labeled B*1. It is a rectangular panel with a curved top edge and a vertical support on the left side.

STEP 1:



STEP 2:

