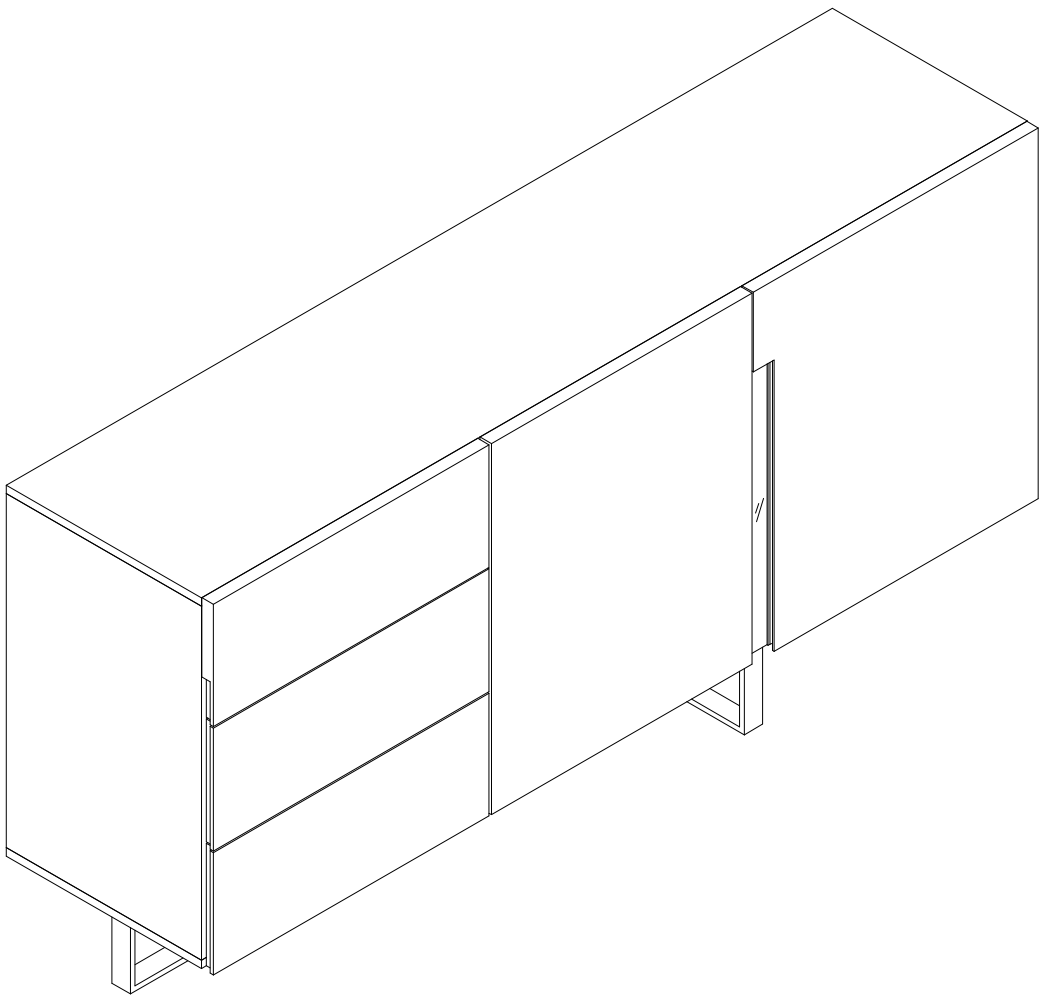
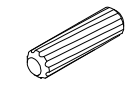
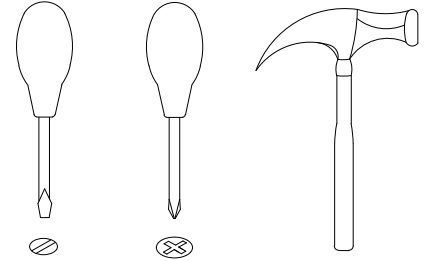
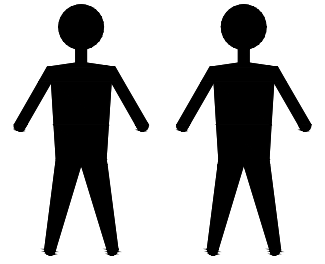


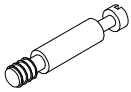
CP1302E



CP1302E



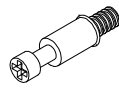
A x30
Spec: $\varnothing 8 \times 30$



B x30
Spec: $\varnothing 7 \times L30$



C x30
Spec: $\varnothing 15 \times H12$



D x12
Spec: $\varnothing 6 \times L28$



E x12
Spec: $\varnothing 12 \times H9$



F x12
Spec: $\varnothing 6 \times 30$



G x2
Spec: 10g



H x9
Spec: M6*25



I x9
Spec: $\varnothing 8 \times \varnothing 18$



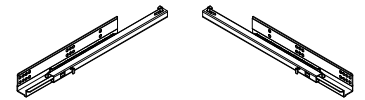
J x42
Spec:



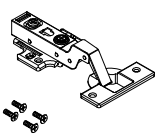
K x12
Spec: $\varnothing 3.5 \times L35$



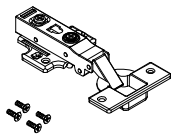
L x18
Spec: $\varnothing 6 \times L9$



M x3
Spec: L350



N x3
Spec:



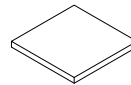
O x3
Spec:



P x8
Spec: $\varnothing 5 \times L19$



Q x8
Spec: $\varnothing 20 \times H12$



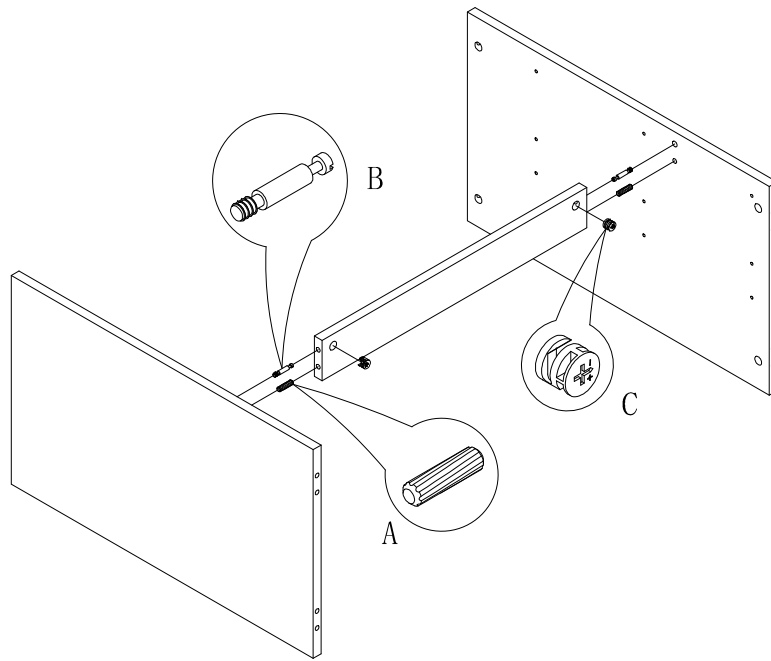
R x6
Spec: 38*38



S x12
Spec: 3.8*L16

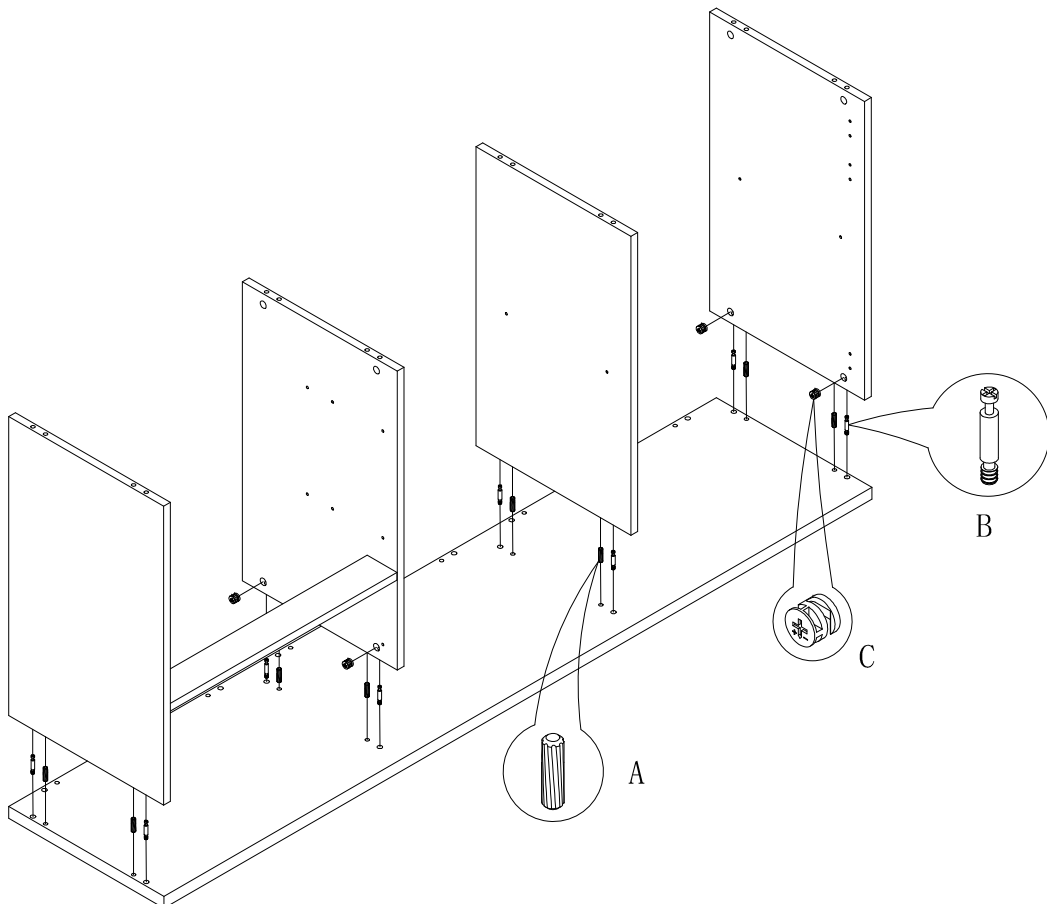


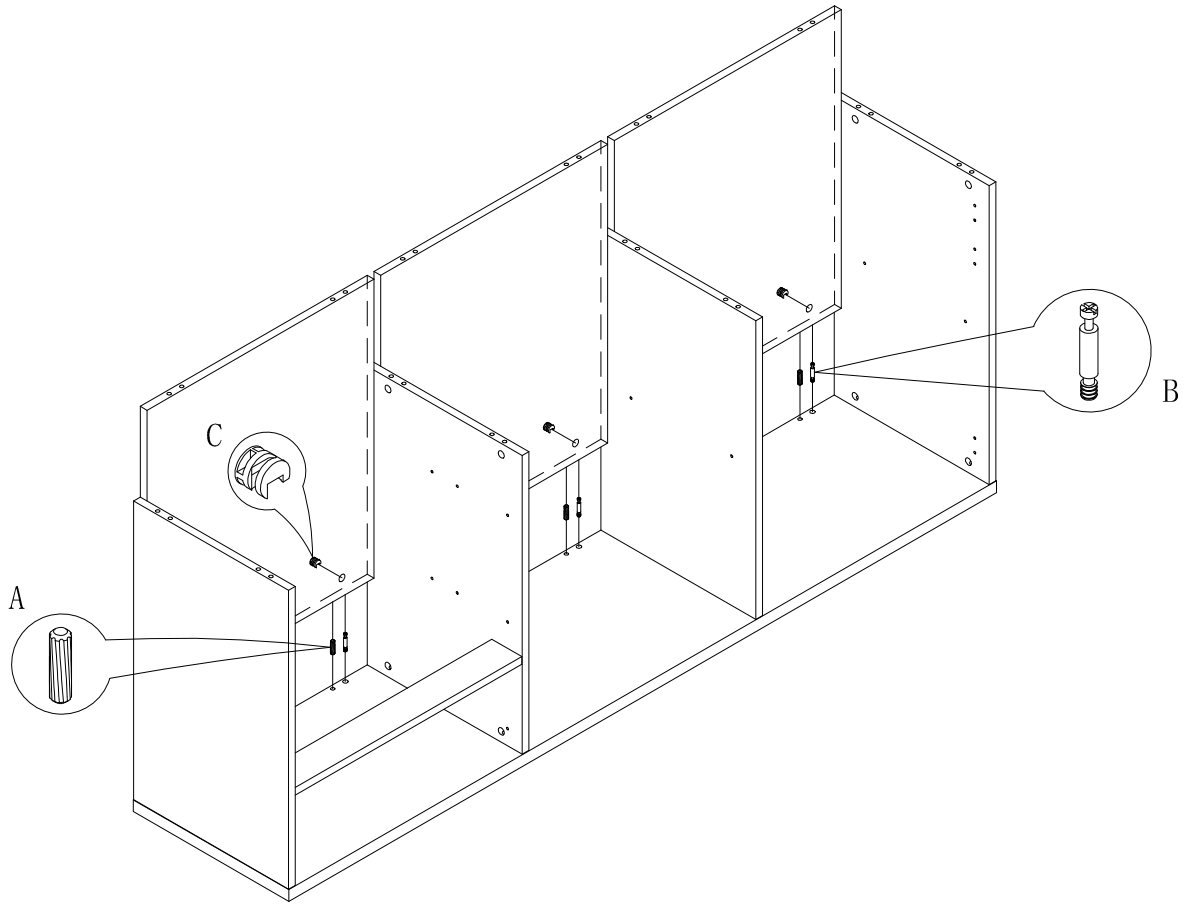
AAA x12
Spec: $\varnothing 3.8 \times L12$



1

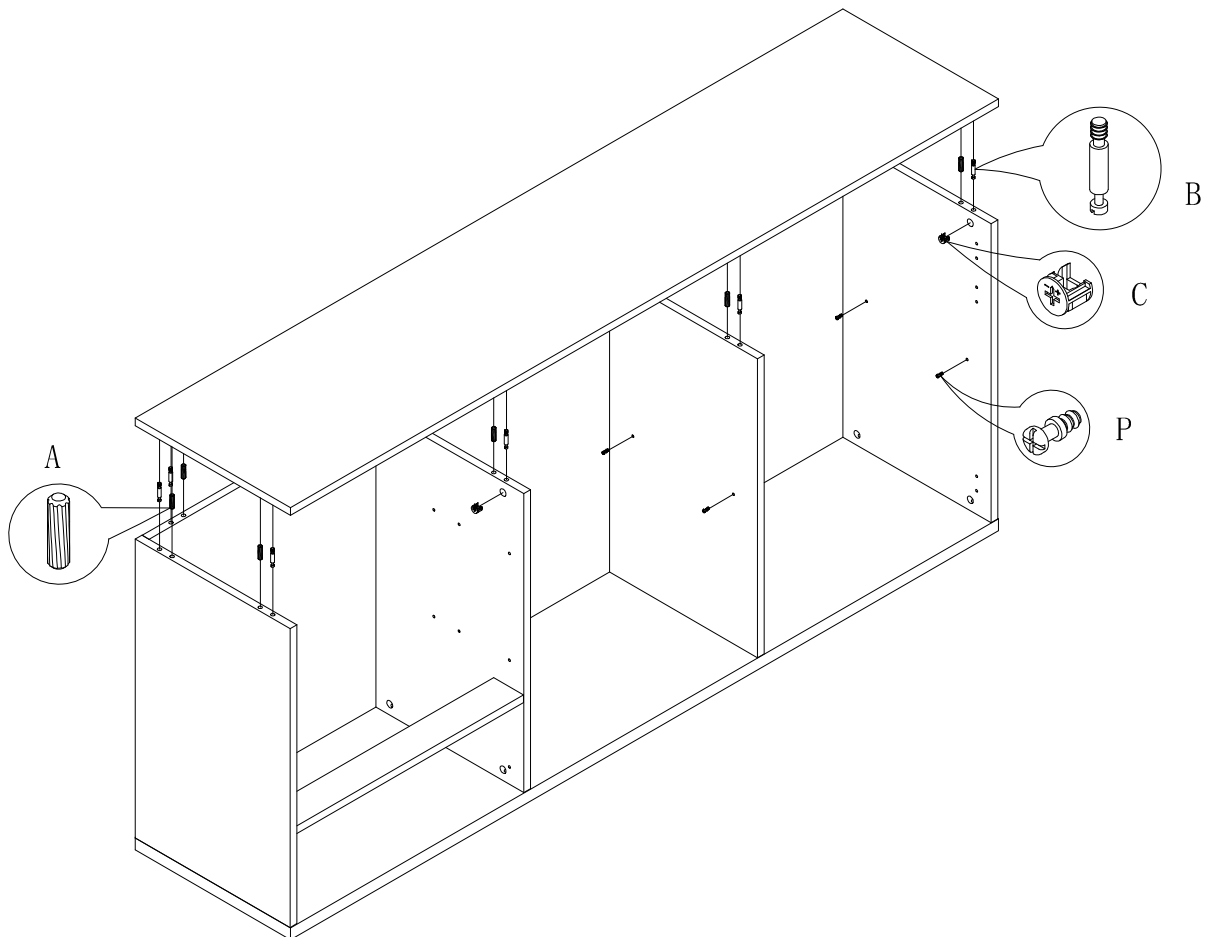
2

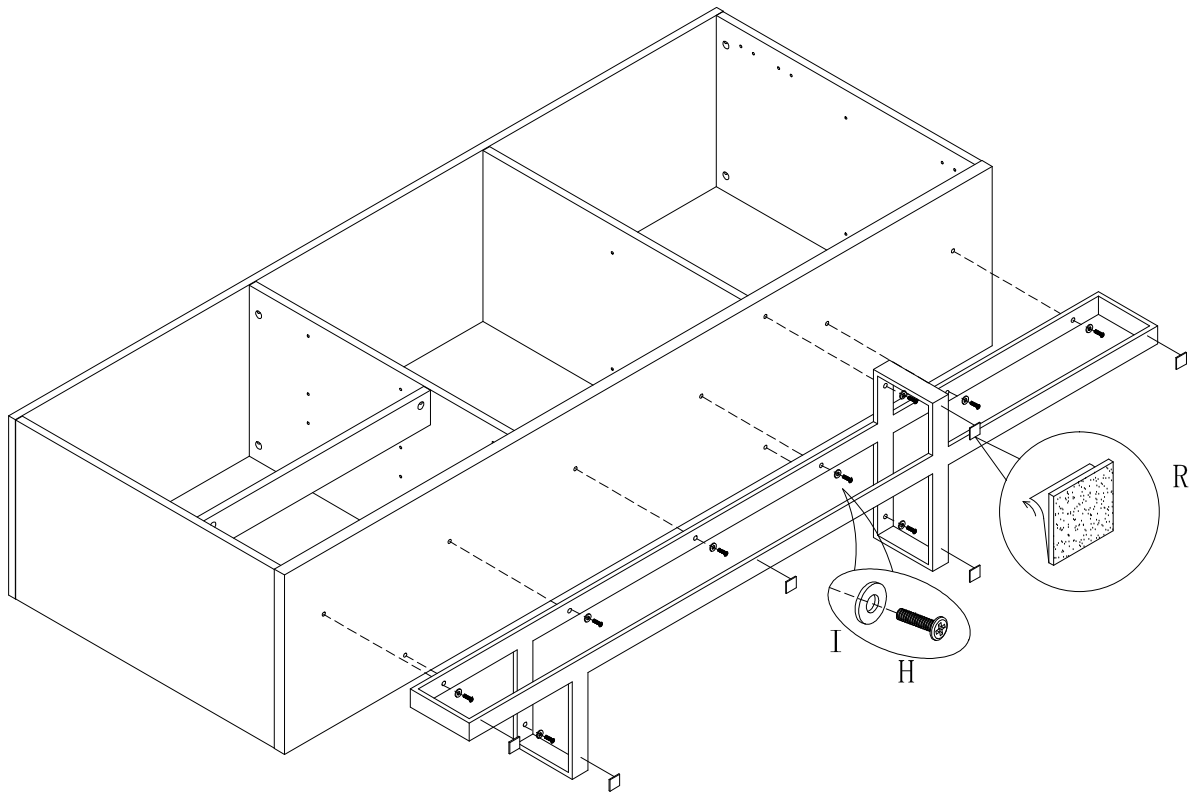




3

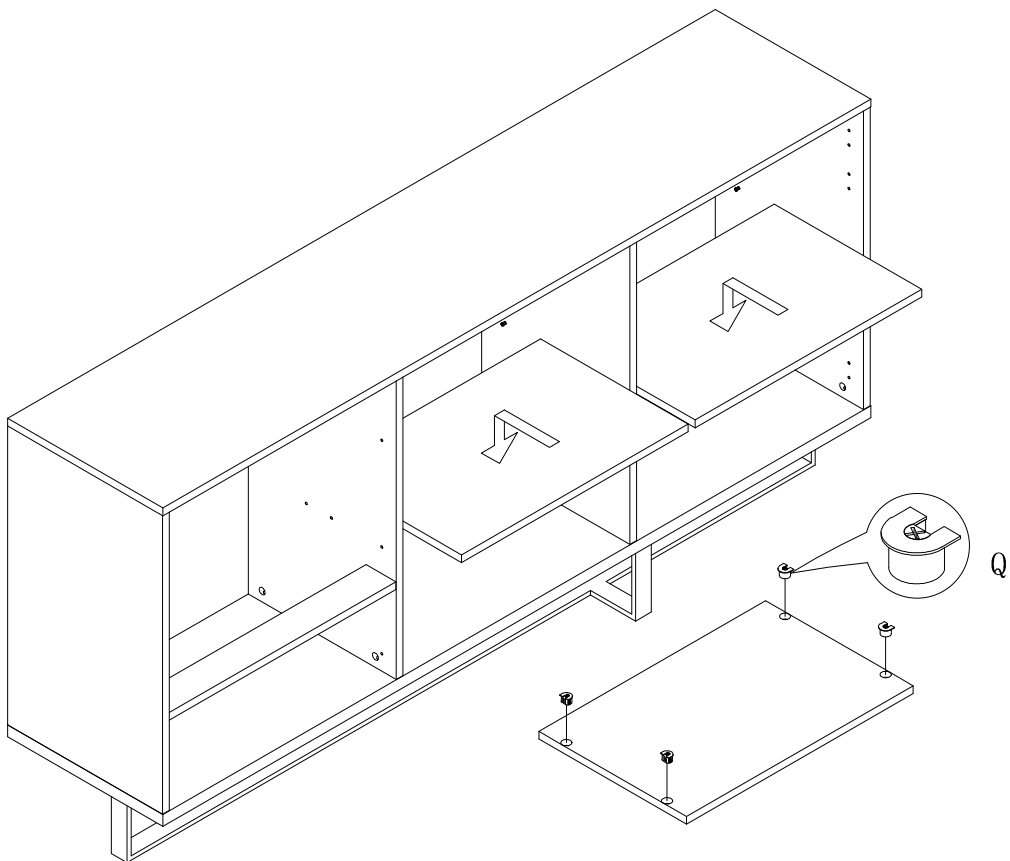
4

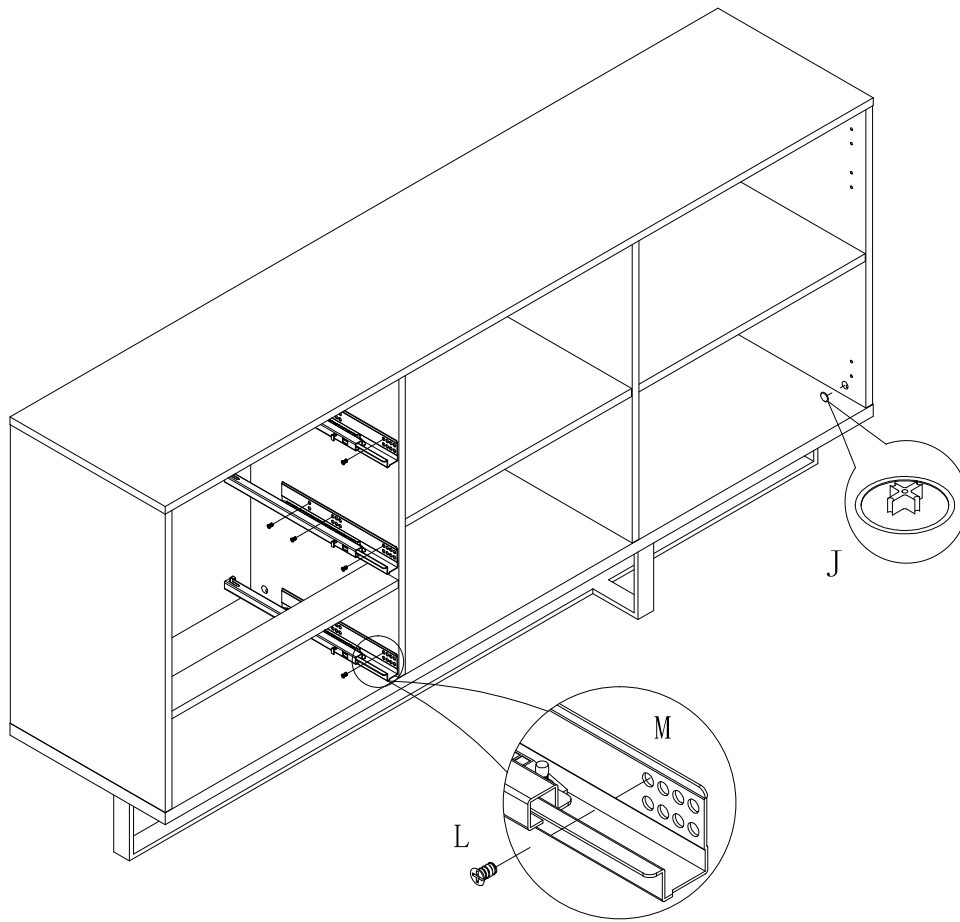




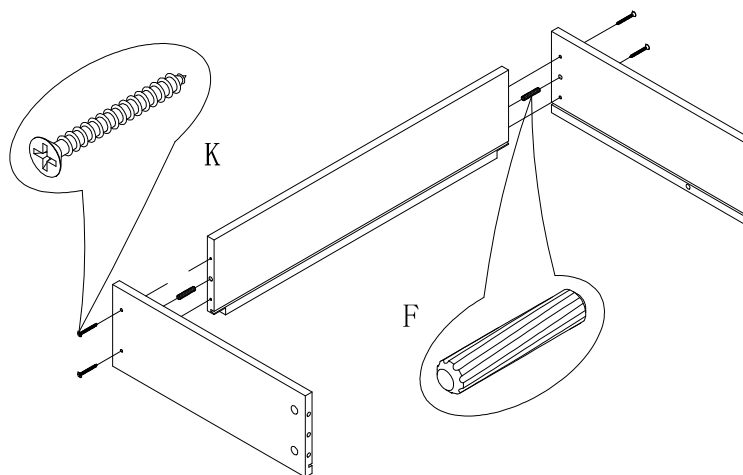
5

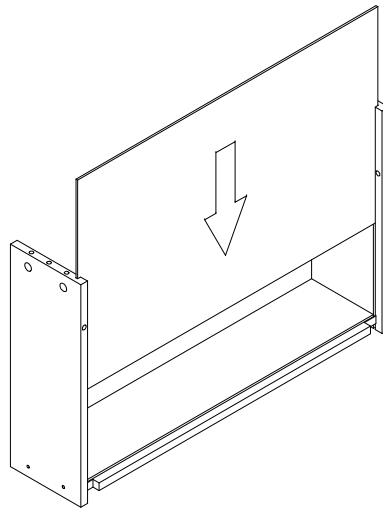
6





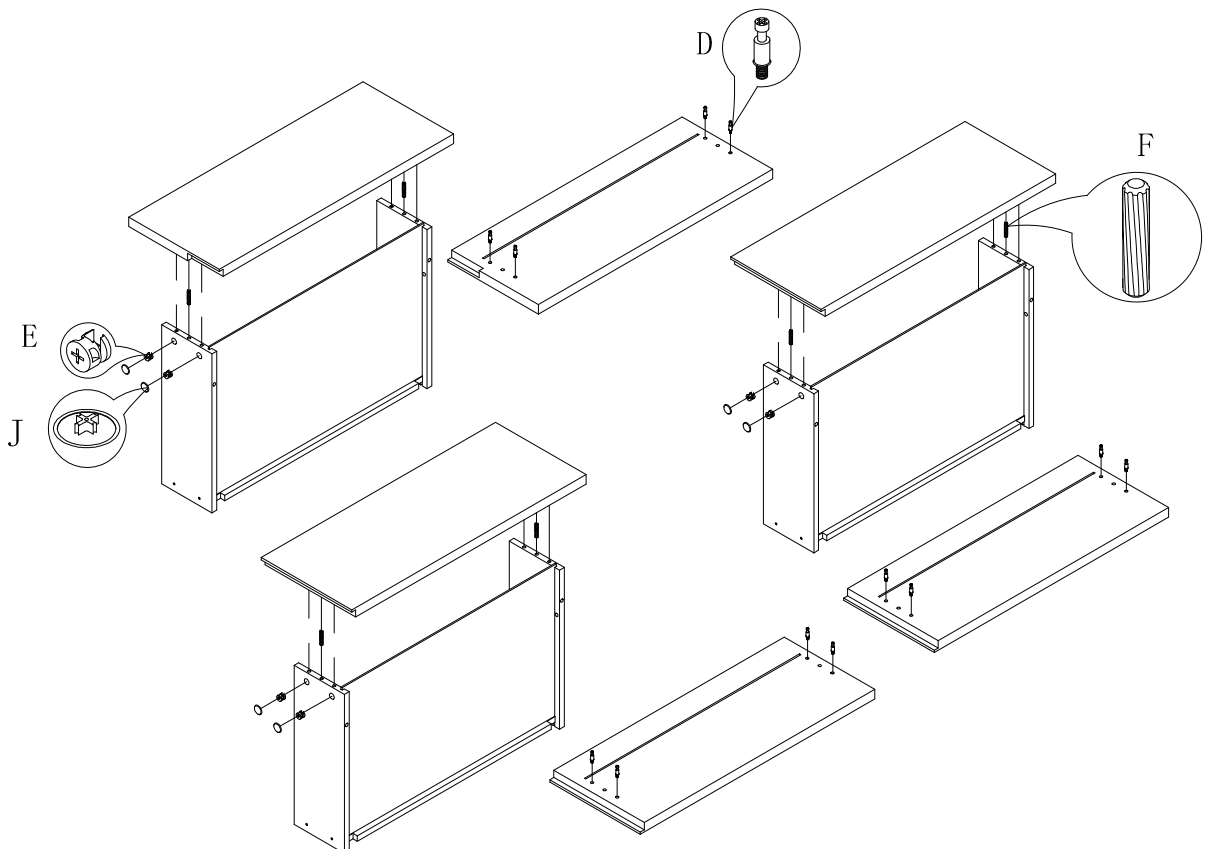
8

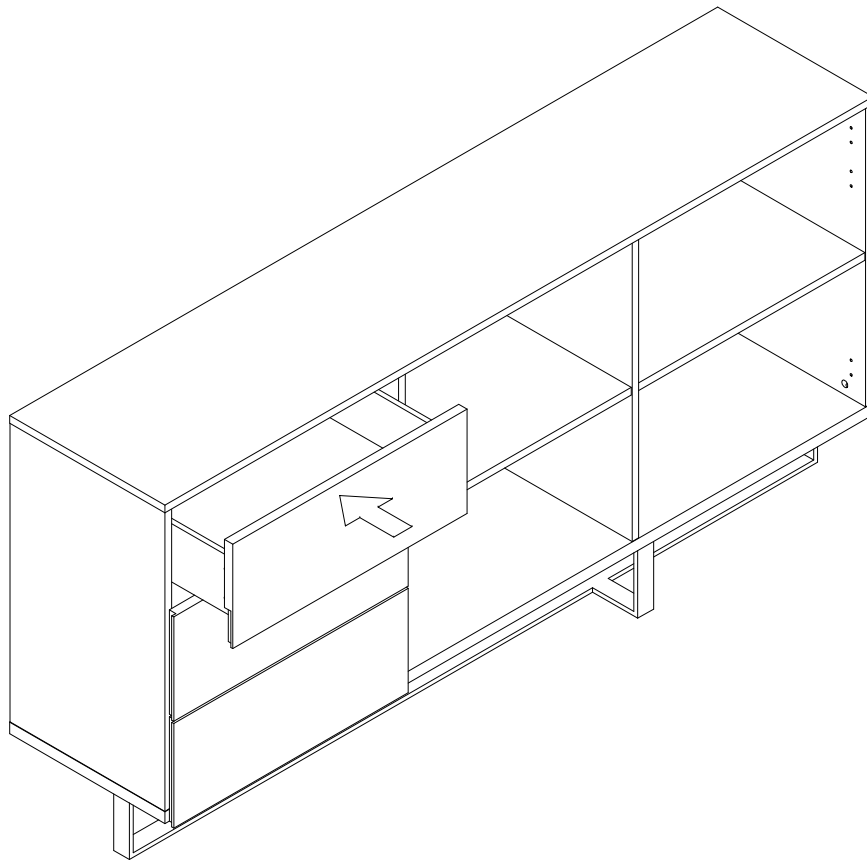




9

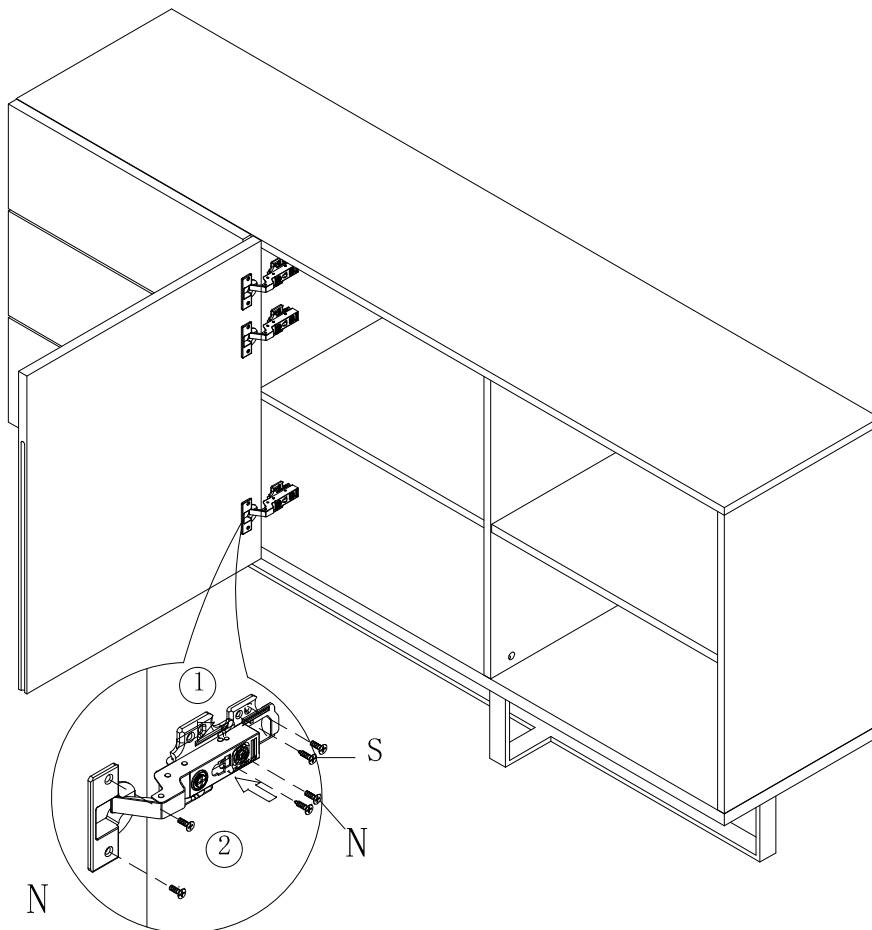
10

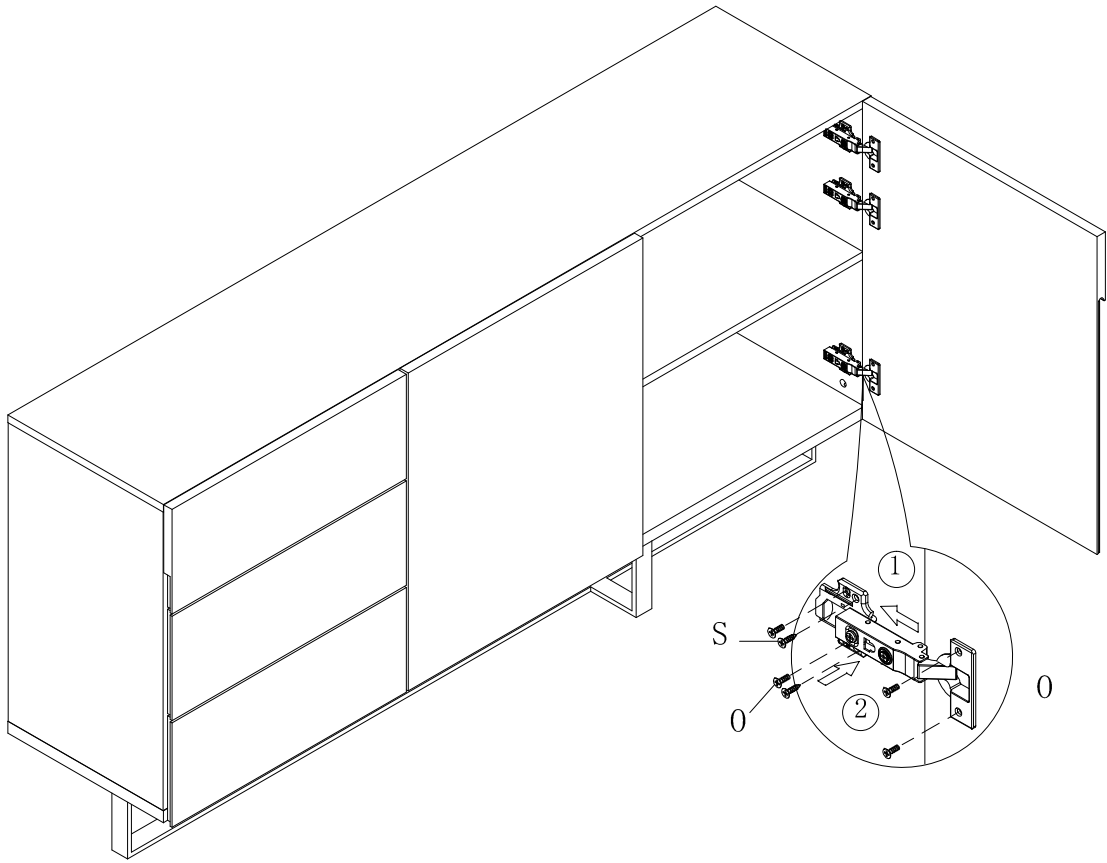




11

12





13