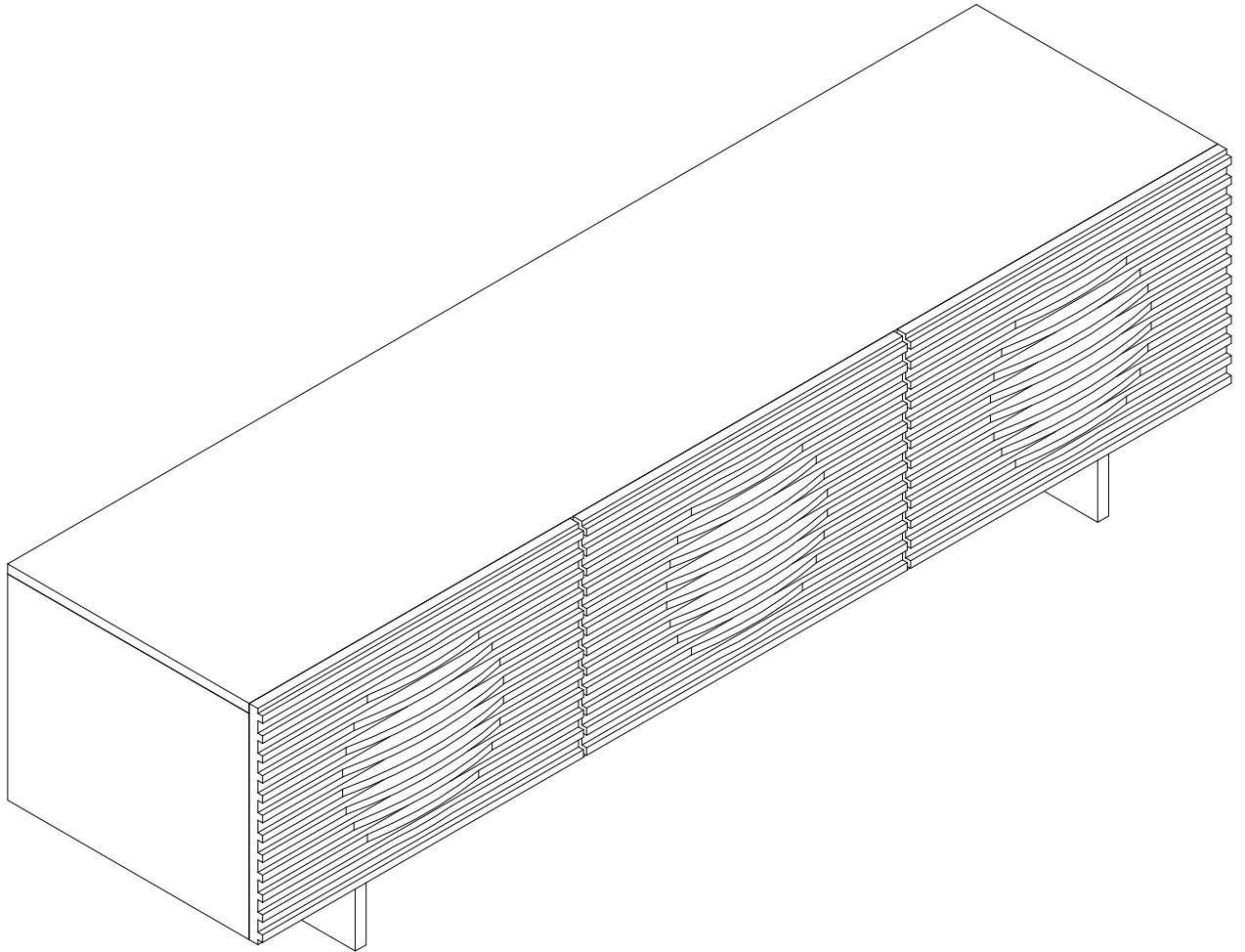
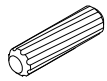
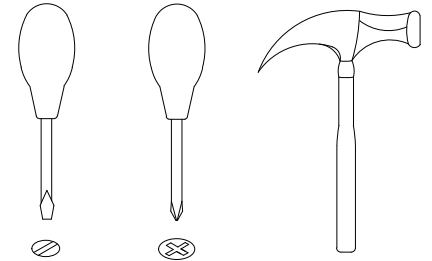
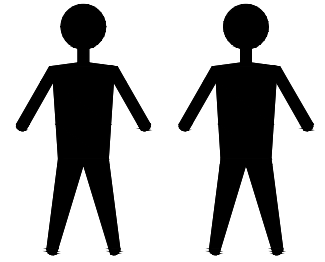


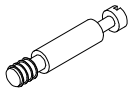
CPM4920-180



CPM4920-180



A x20
Spec: $\phi 8 \times 30$



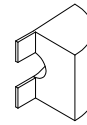
B x16
Spec: $\phi 7 \times L30$



C x16
Spec: $\phi 15 \times H12$



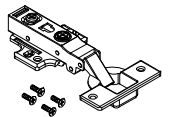
D x18
Spec: $\phi 3.5 \times L16$



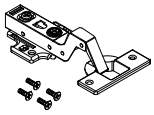
E x18
Spec: H13



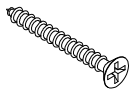
F x16
Spec:



G x4
Spec:



H x2
Spec:



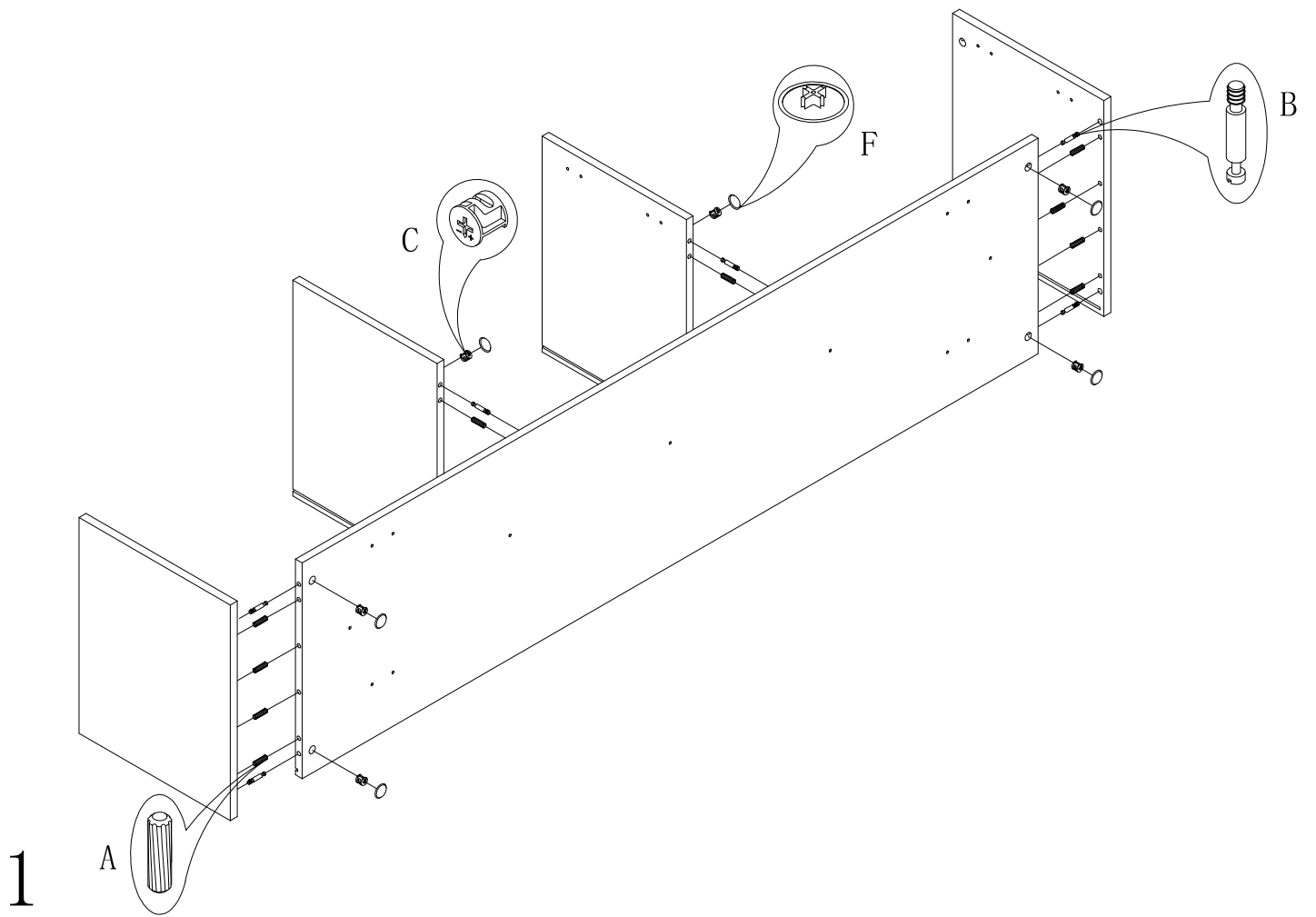
I x5
Spec: $\phi 3.5 \times 50$



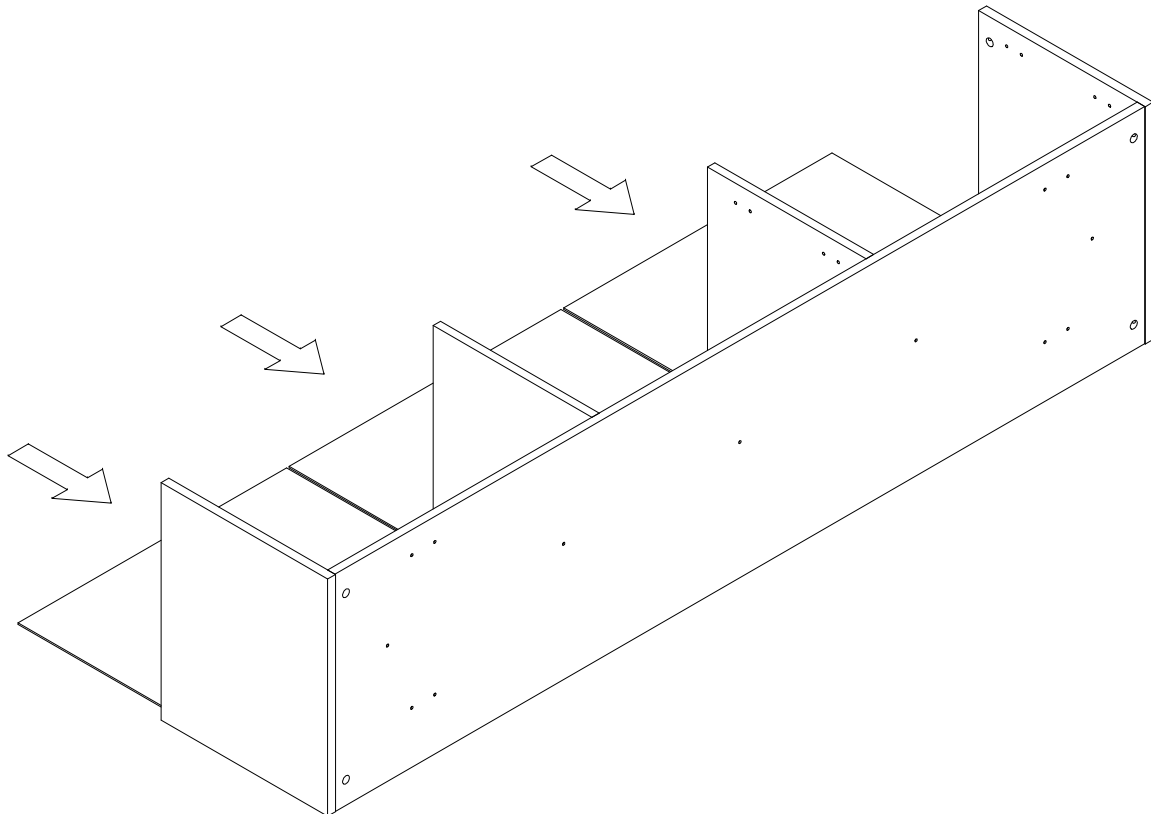
J x20
Spec: $3.8 \times L16$

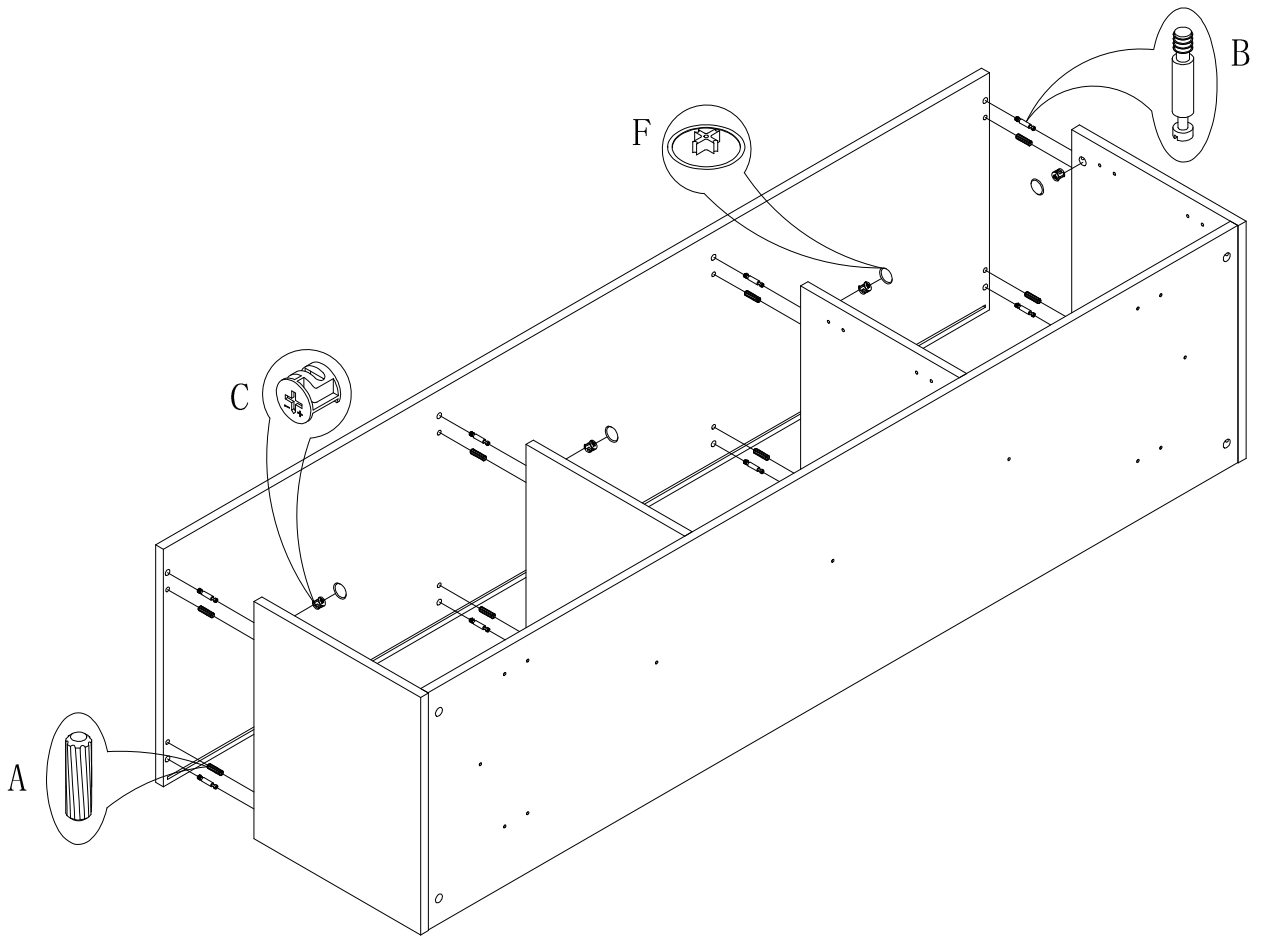


K x1
Spec: 10g



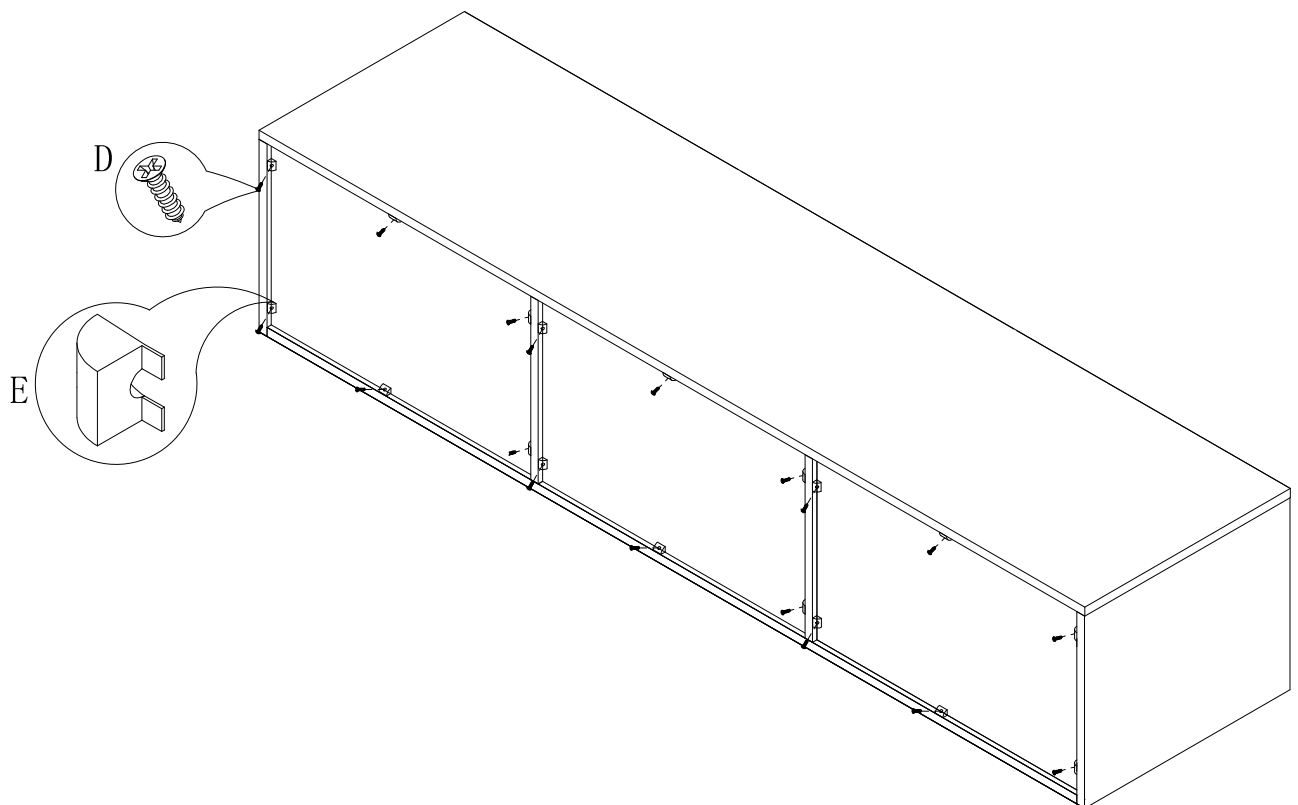
2

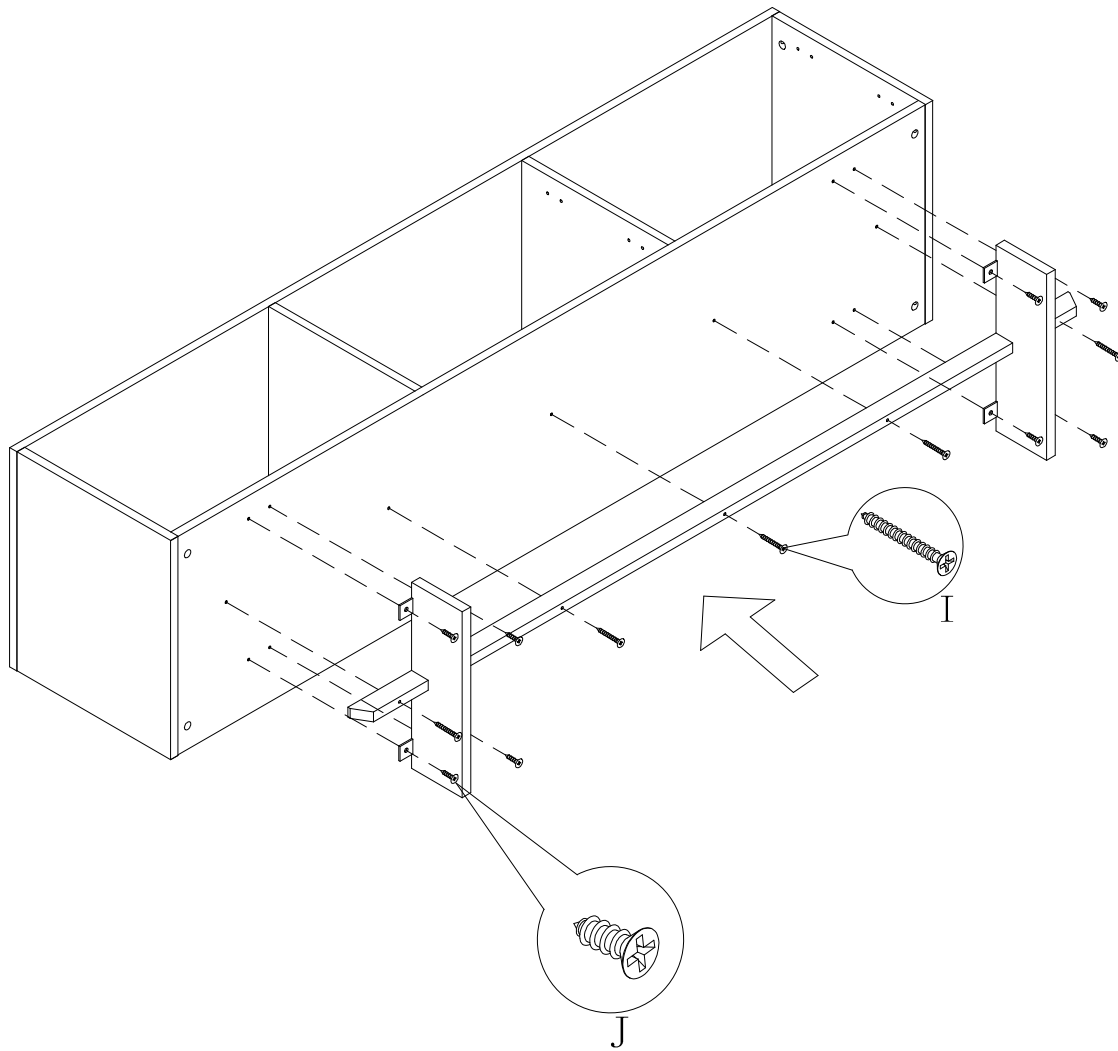




3

4





5

6

