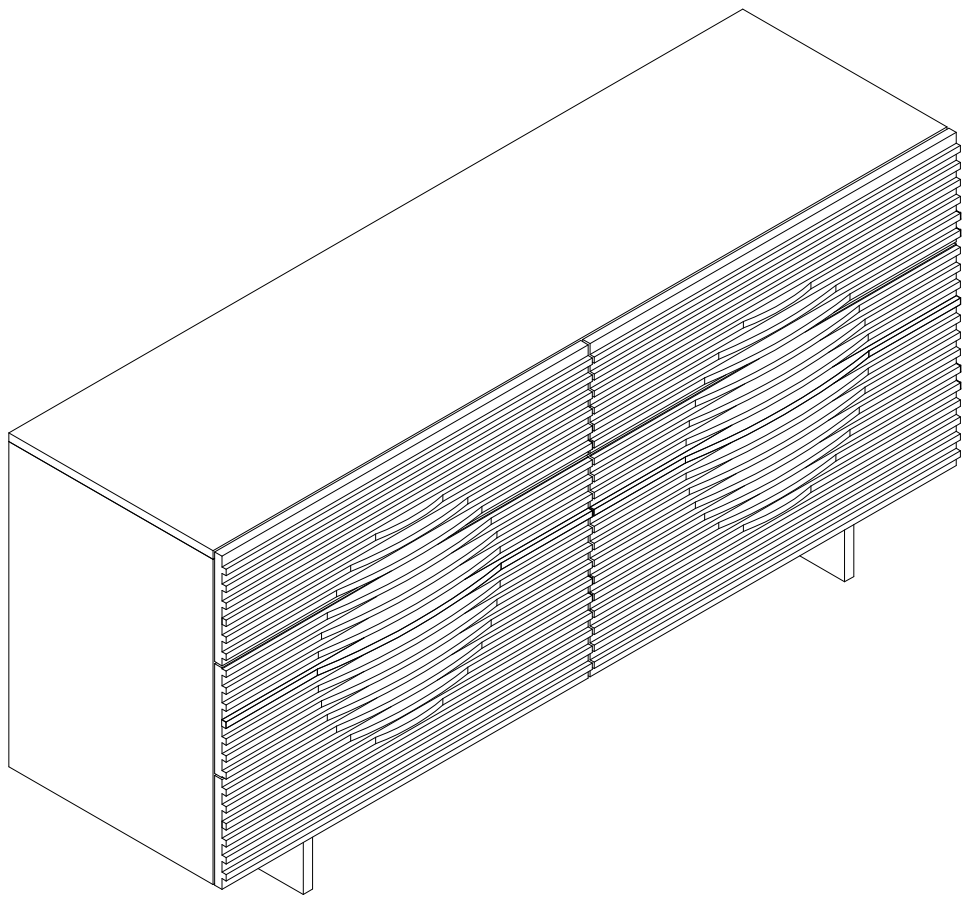
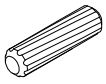
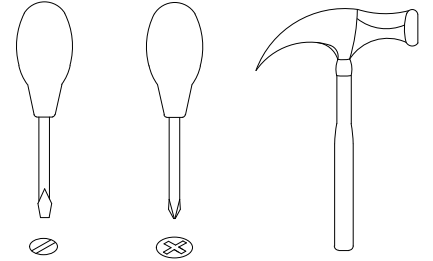
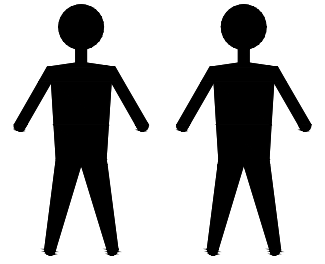


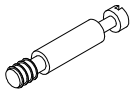
CPM4995



CPM4995



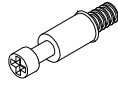
A x20
Spec: $\phi 8 \times 30$



B x14
Spec: $\phi 7 \times L30$



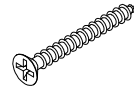
C x16
Spec: $\phi 15 \times H12$



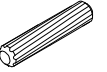
D x36
Spec: $\phi 6 \times L28$



E x36
Spec: $\phi 12 \times H9$



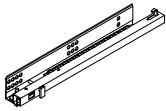
F x24
Spec: $\phi 3.5 \times L35$



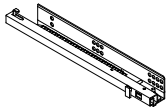
G x54
Spec: $\phi 6 \times 30$



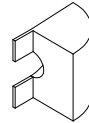
H x36
Spec: $\phi 6 \times L8$



I x6
Spec: L400



J x16
Spec: $\phi 3.5 \times L16$



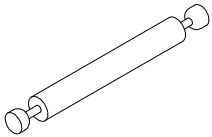
K x16
Spec: H13



L x52
Spec:



M x3
Spec: 10g



N x1
Spec: $\phi 7 \times L66$



O x8
Spec: $3.8 \times L16$



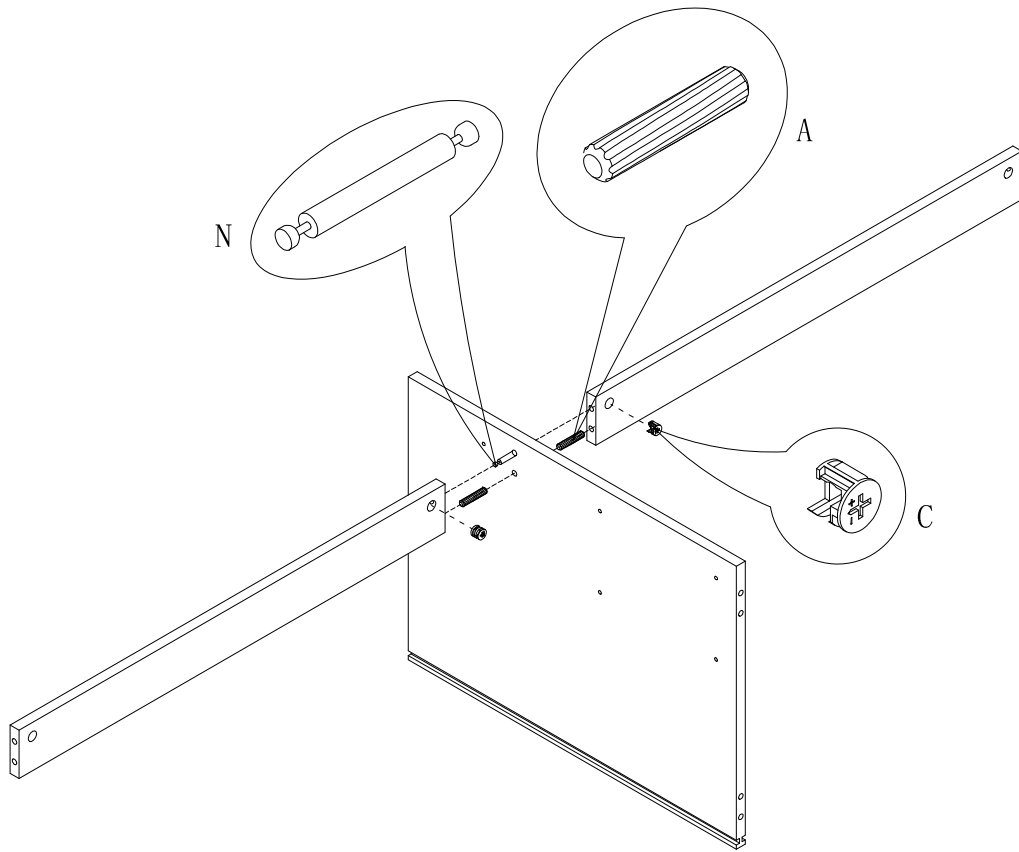
P x4
Spec: 30×15



Q x5
Spec: $\phi 3.5 \times 50$

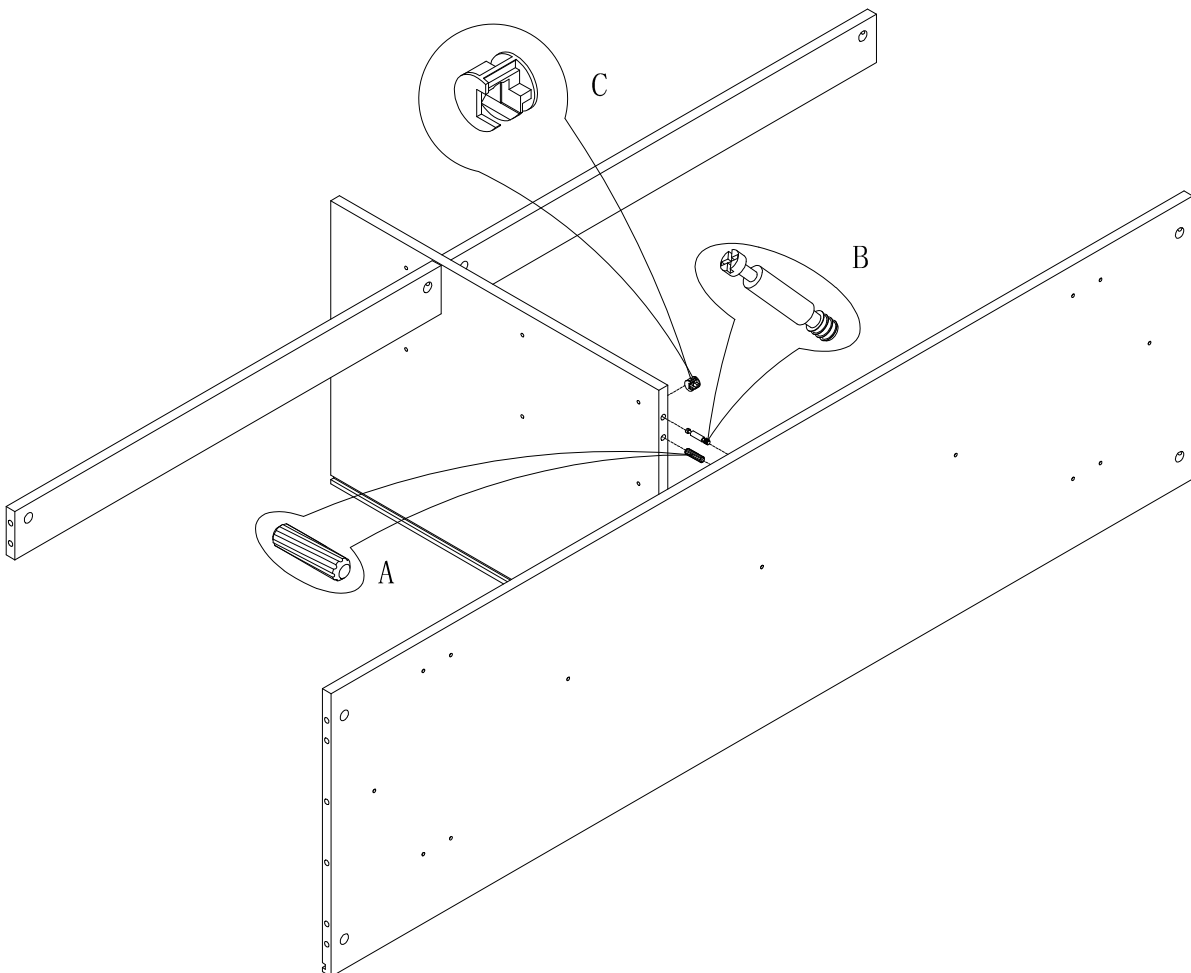


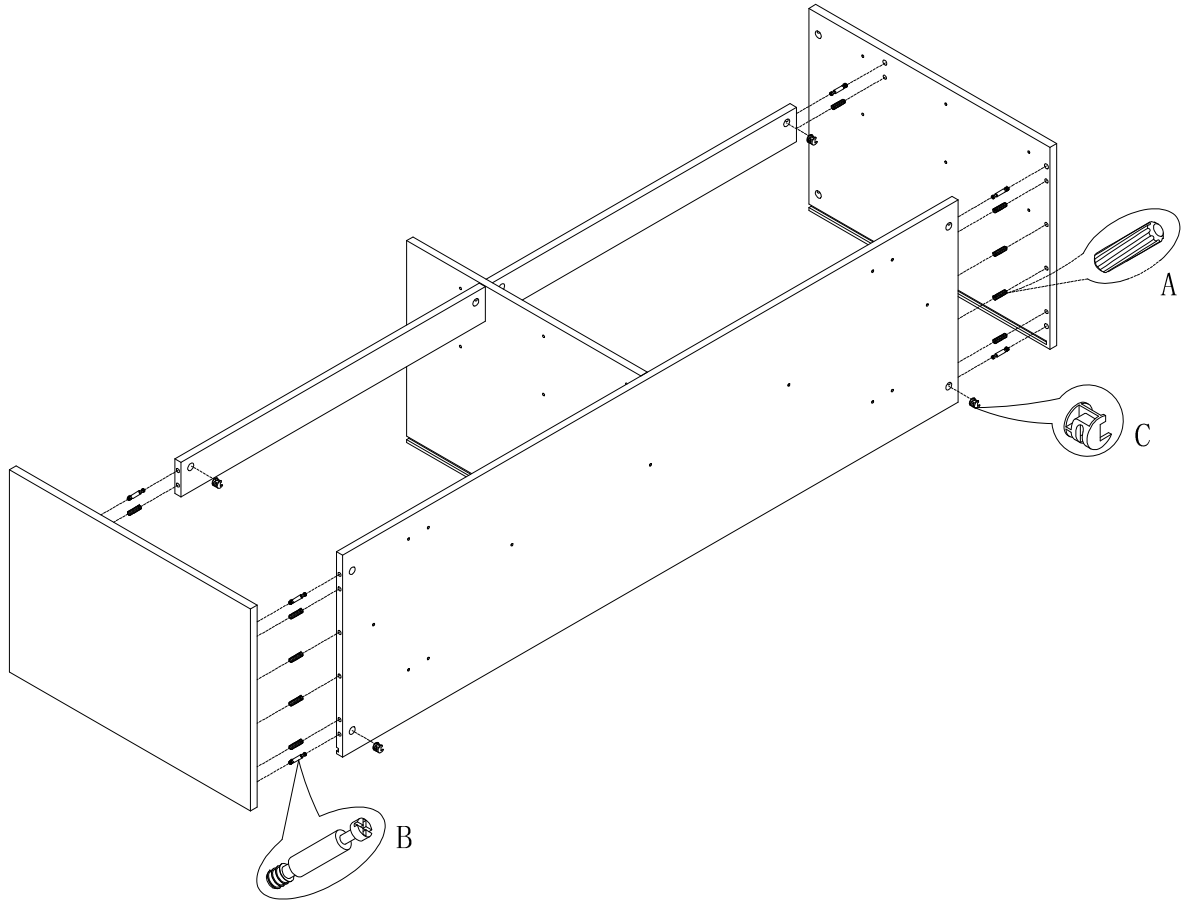
AAA x24
Spec: $\phi 3.8 \times L12$



1

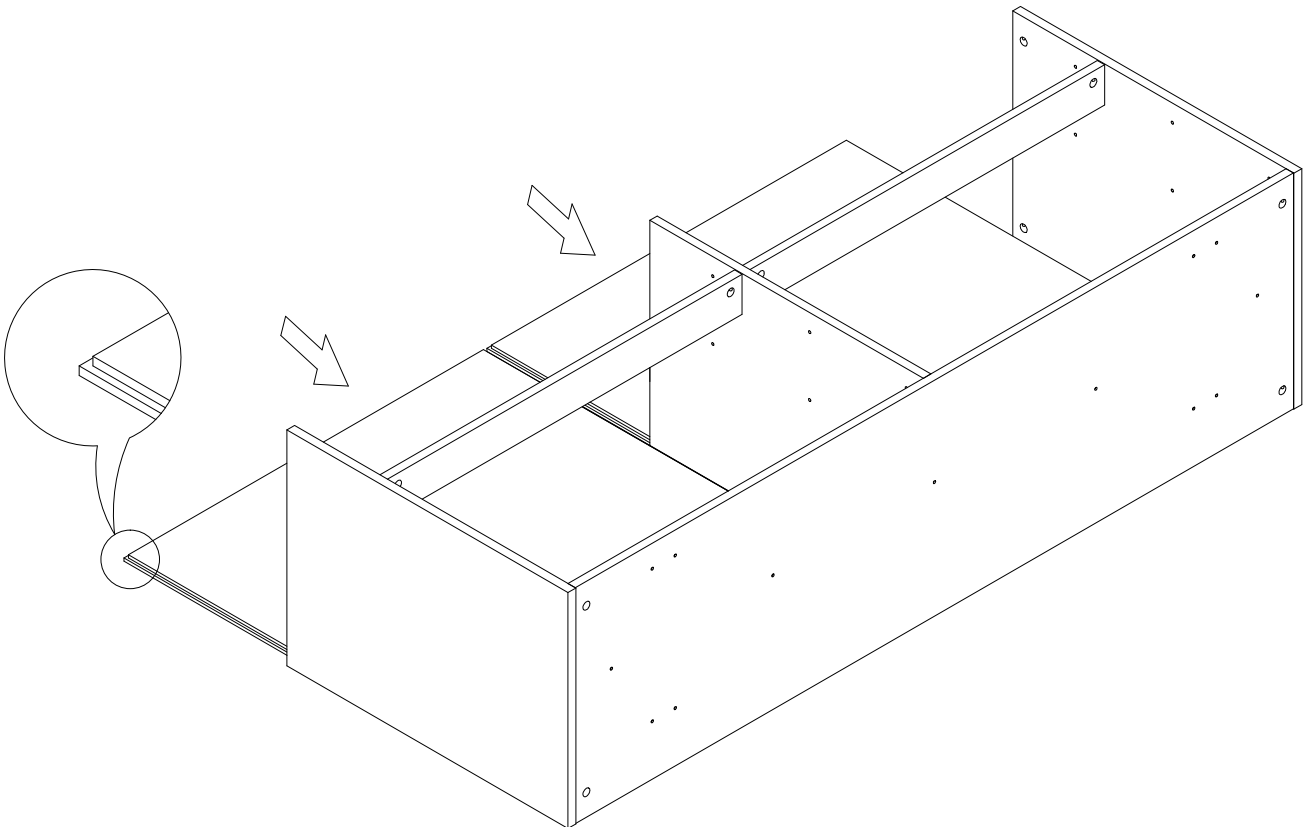
2

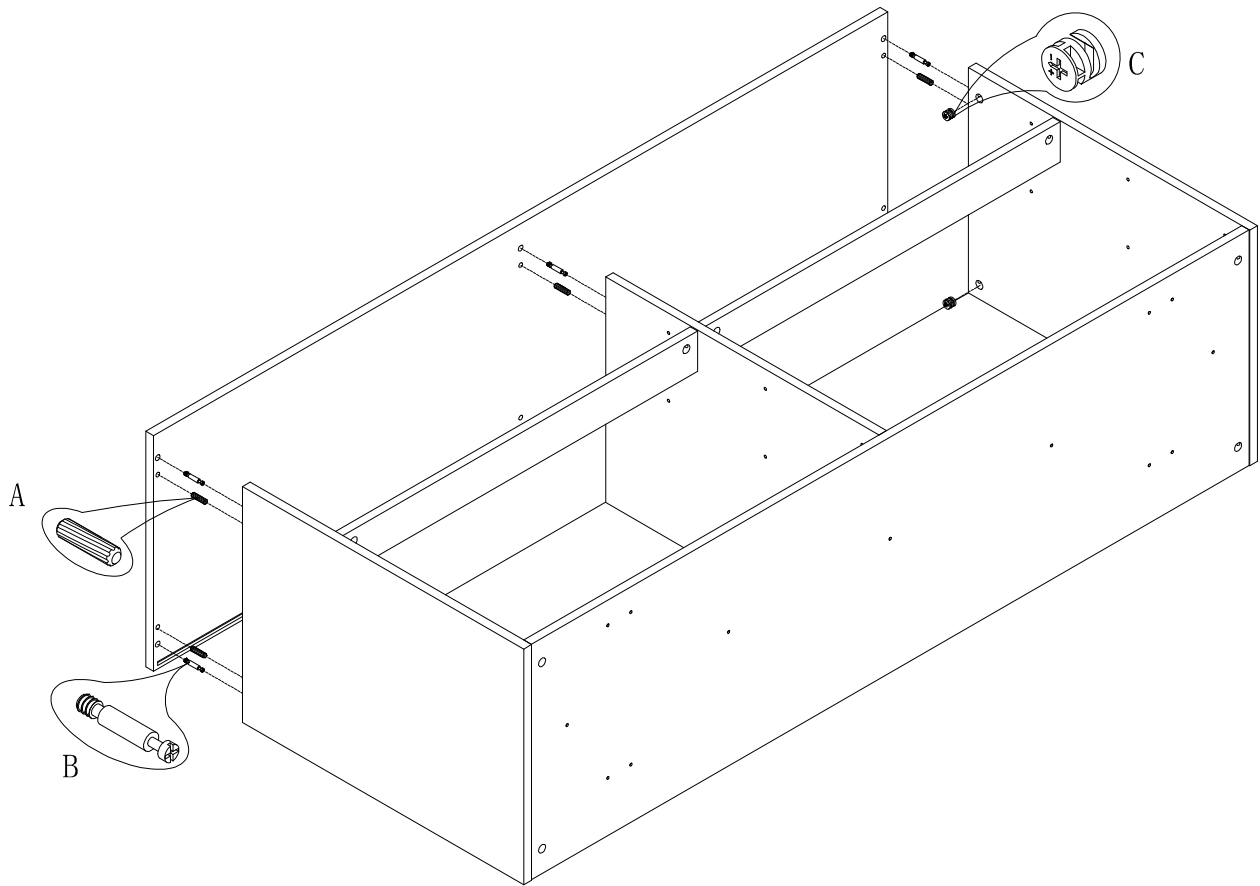




3

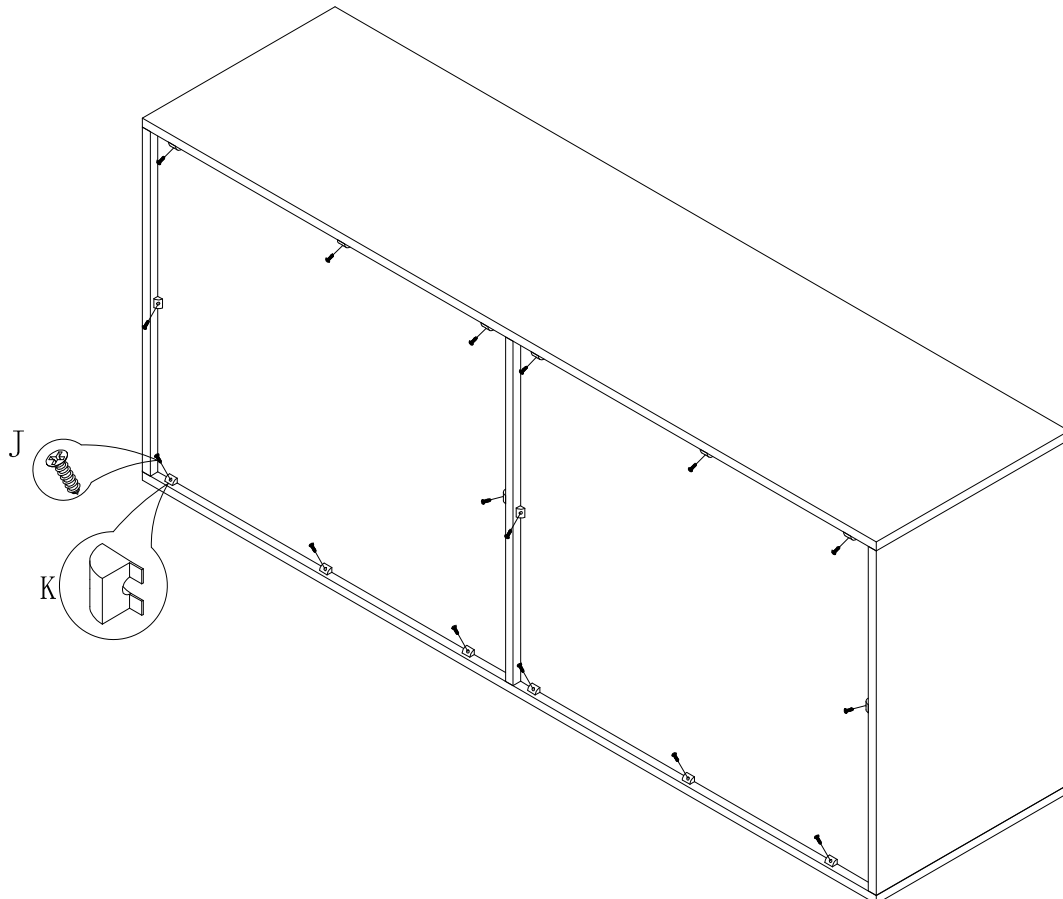
4

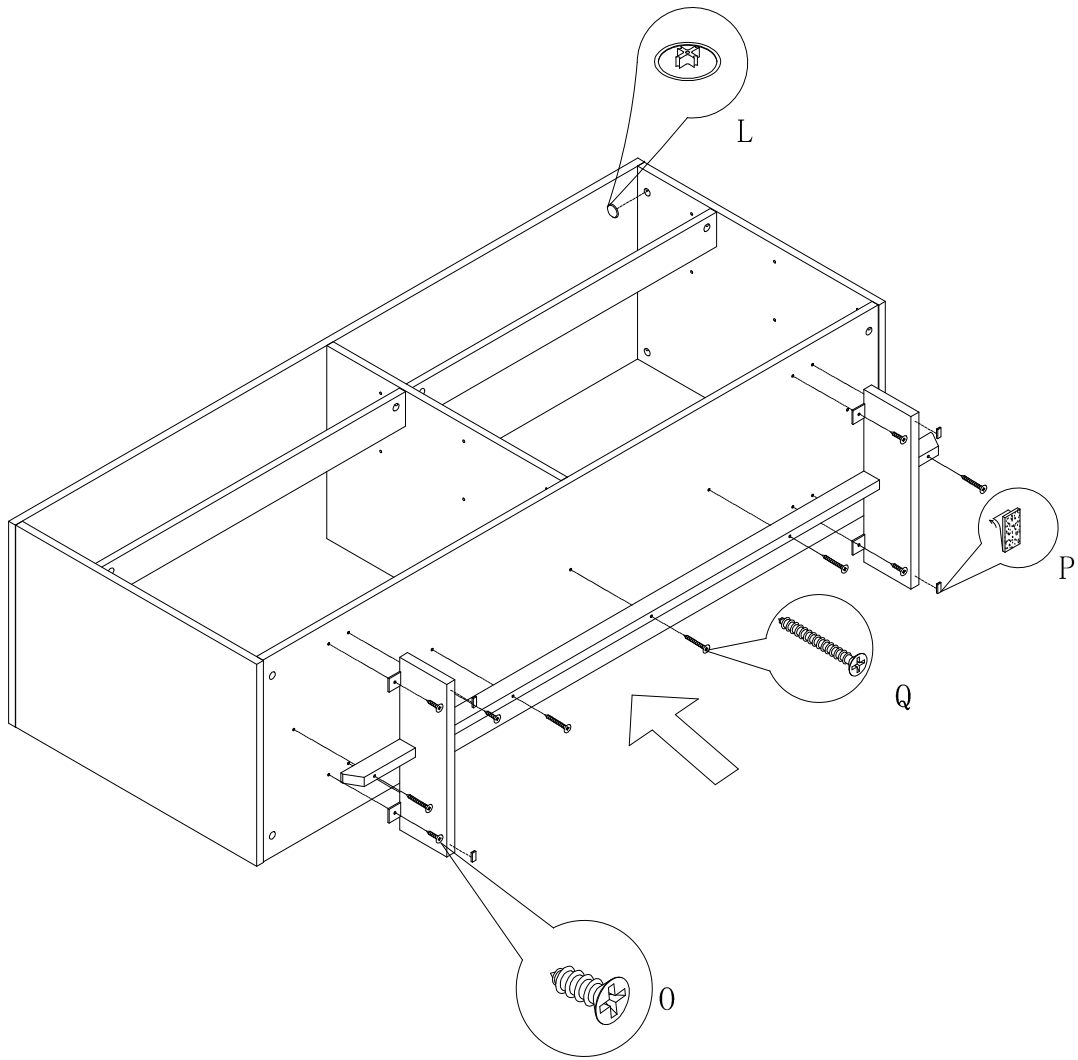




5

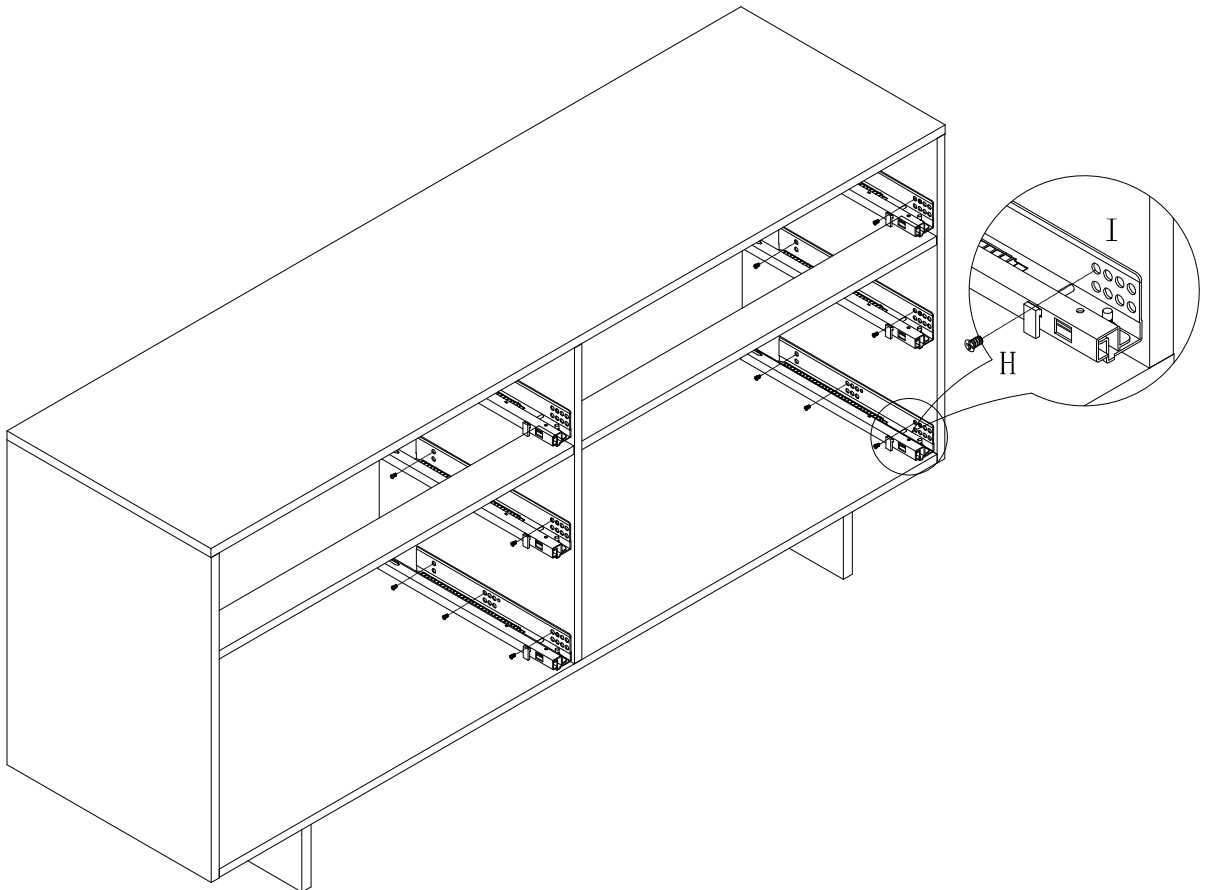
6

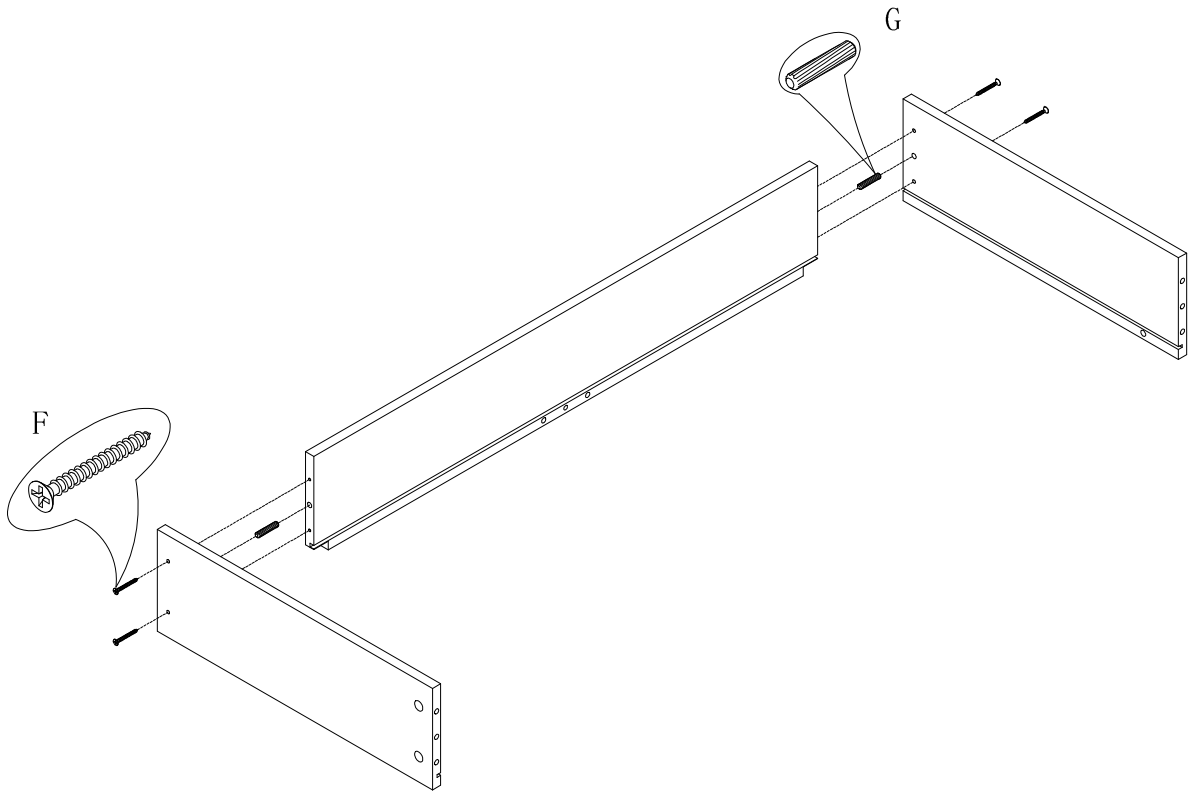




7

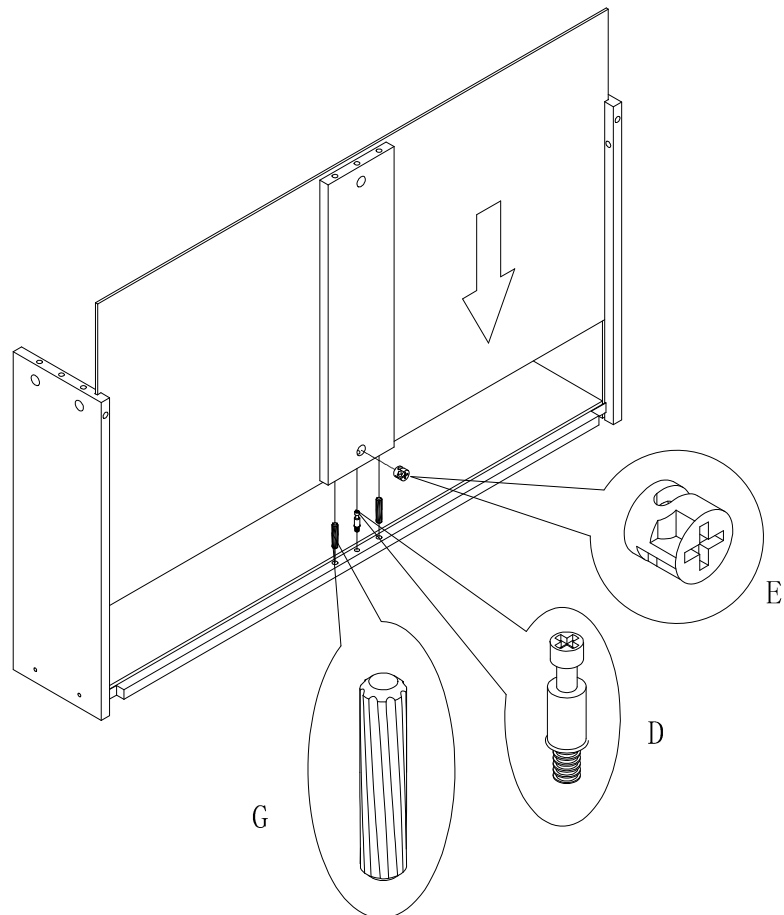
8

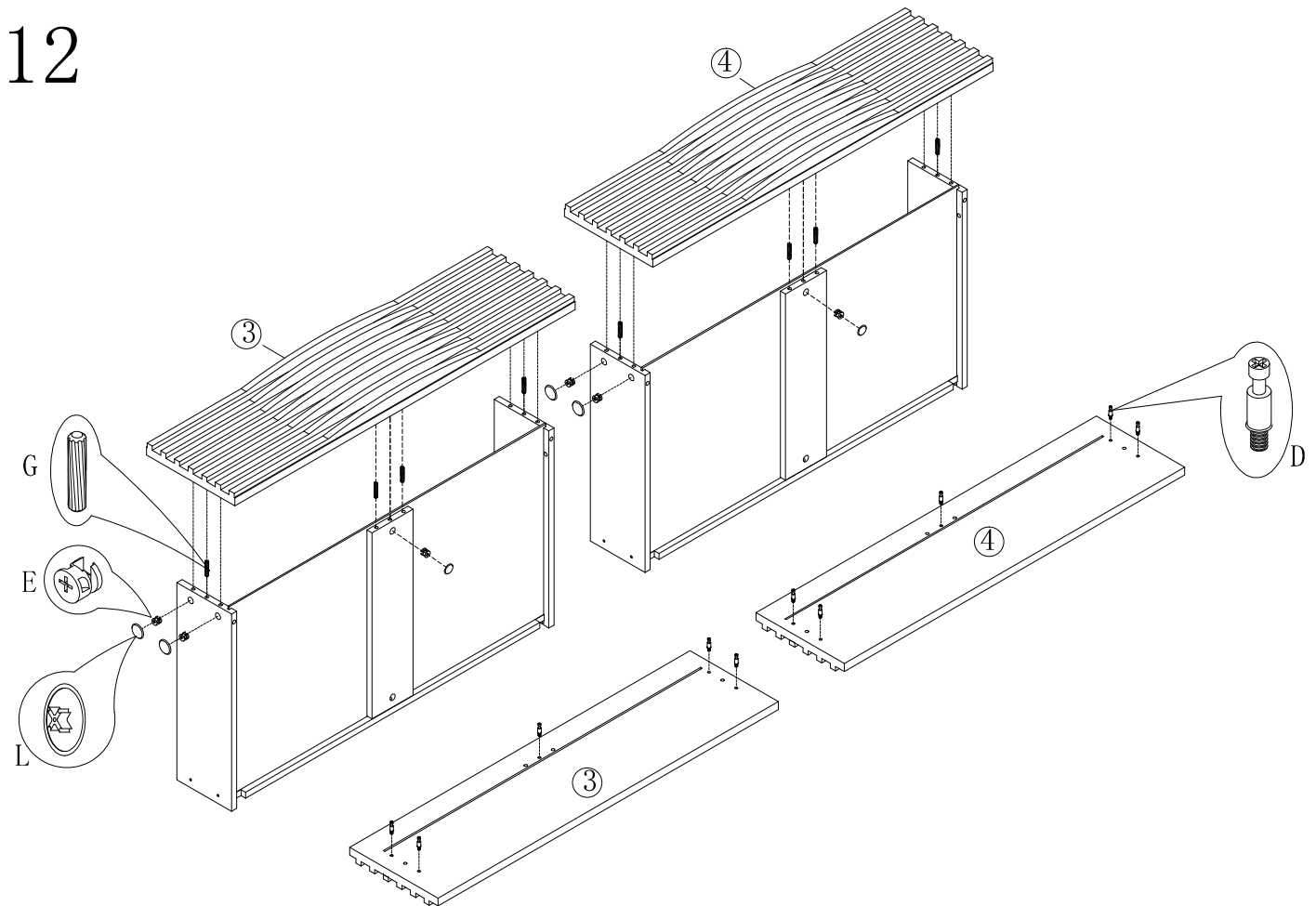
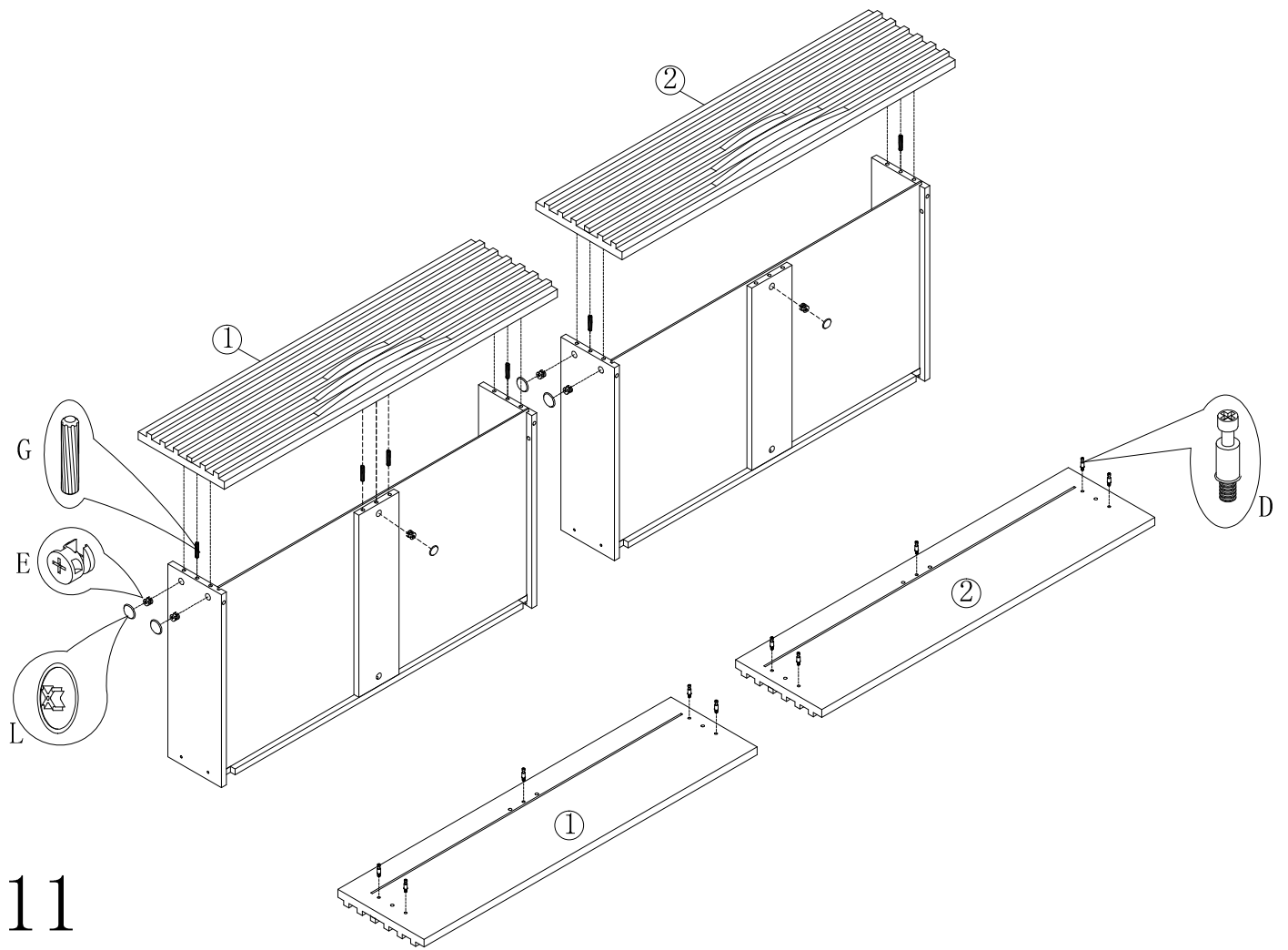


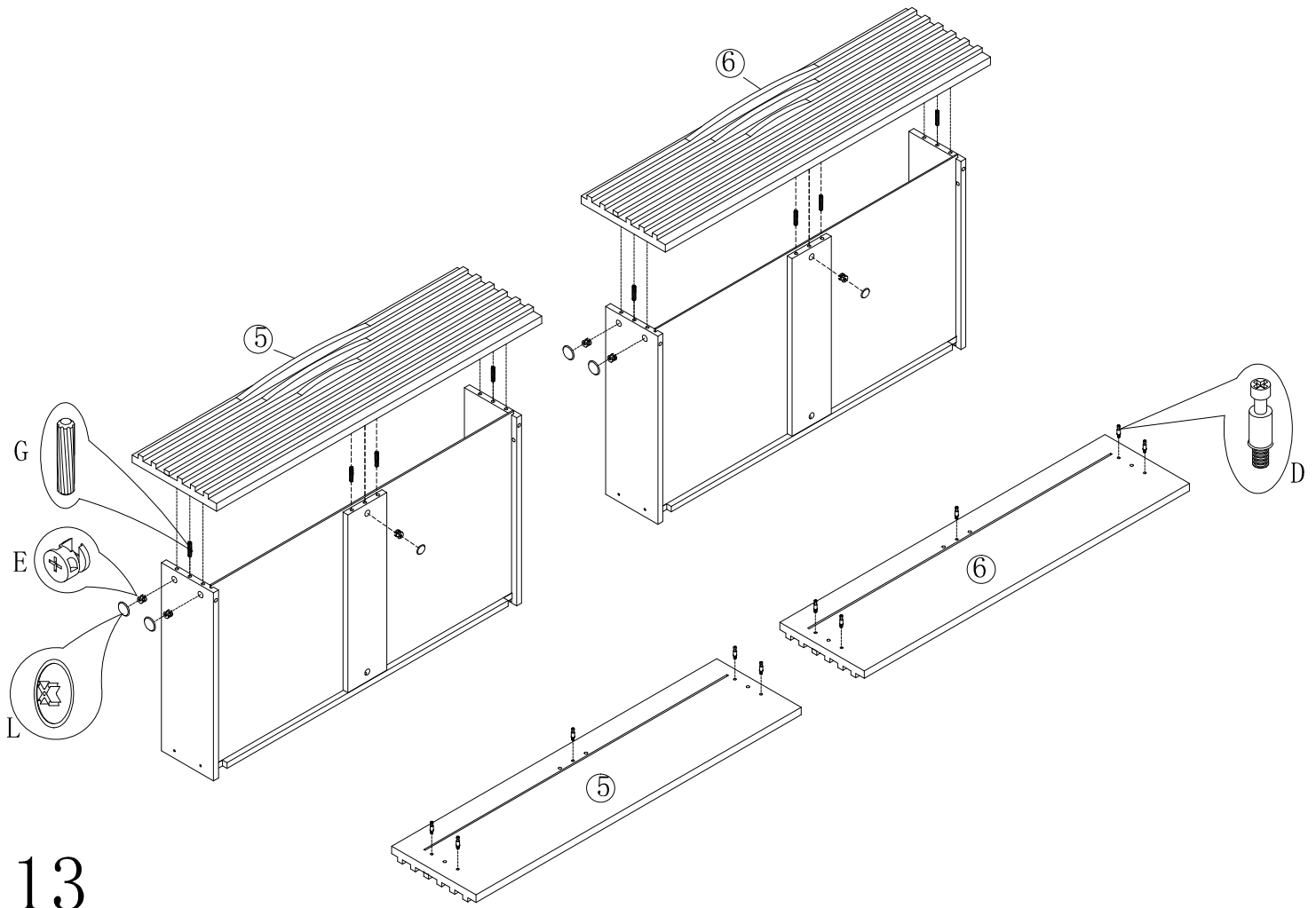


9

10







13

14

