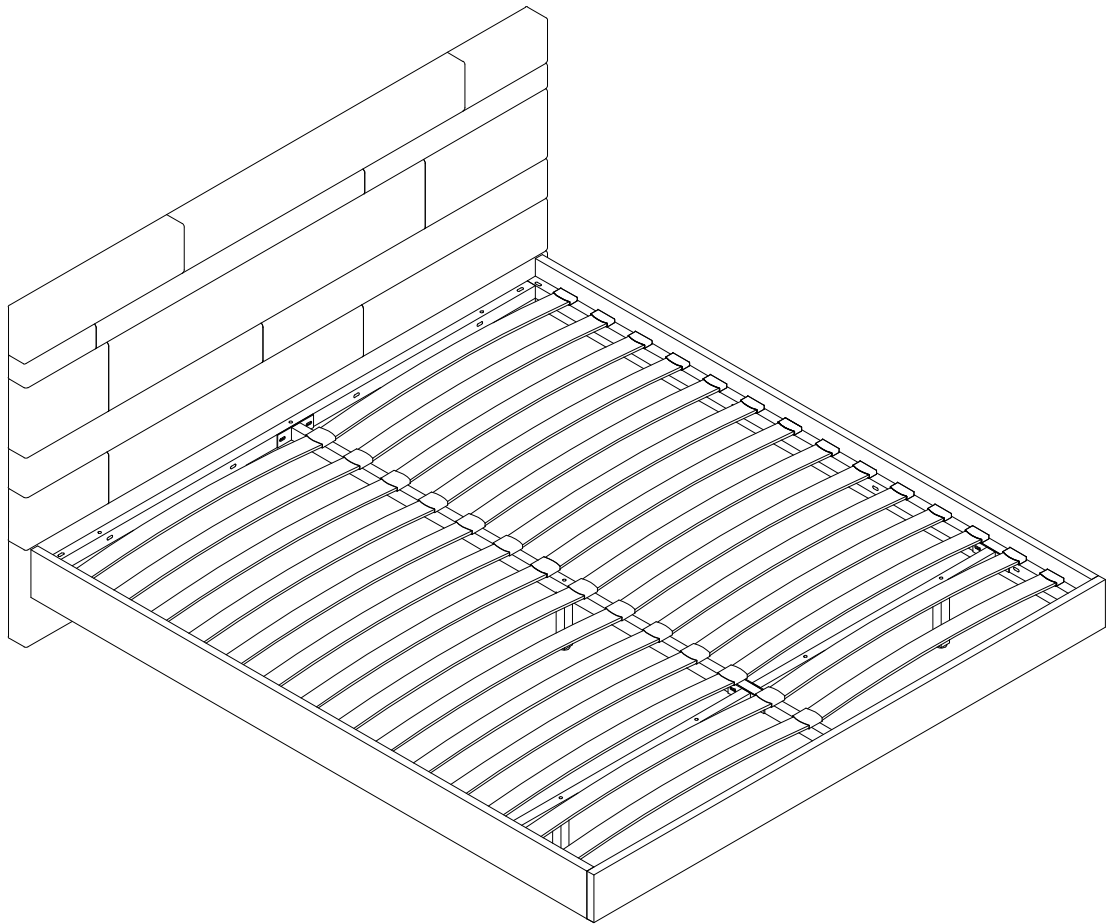
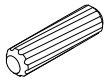
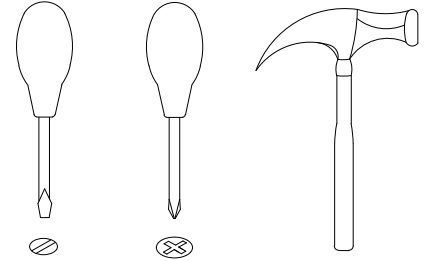
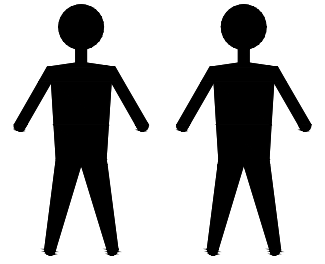


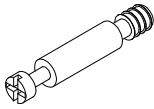
CP2021B



CP2021B



A x8
Spec: $\varnothing 10 \times 40$



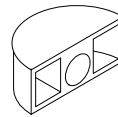
B x4
Spec: $\varnothing 7 \times L30$



C x4
Spec: $\varnothing 15 \times H12$



D x4
Spec: M8*L95



E x4
Spec:



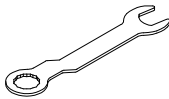
F x4
Spec: M8



G x4
Spec: $\varnothing 38$



H x1
Spec: 5#



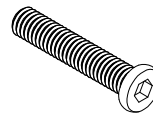
I x1
Spec: 14#



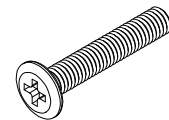
J x19
Spec: $\varnothing 8 \times \varnothing 18$



K x10
Spec: $\varnothing 6 \times \varnothing 18$



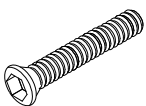
L x3
Spec: 5/16*L60



M x16
Spec: M6*45



N x1
Spec: 10g



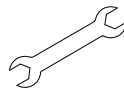
O x12
Spec: M6*L50



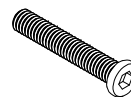
P x3
Spec: L205



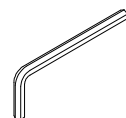
Q x10
Spec: M6



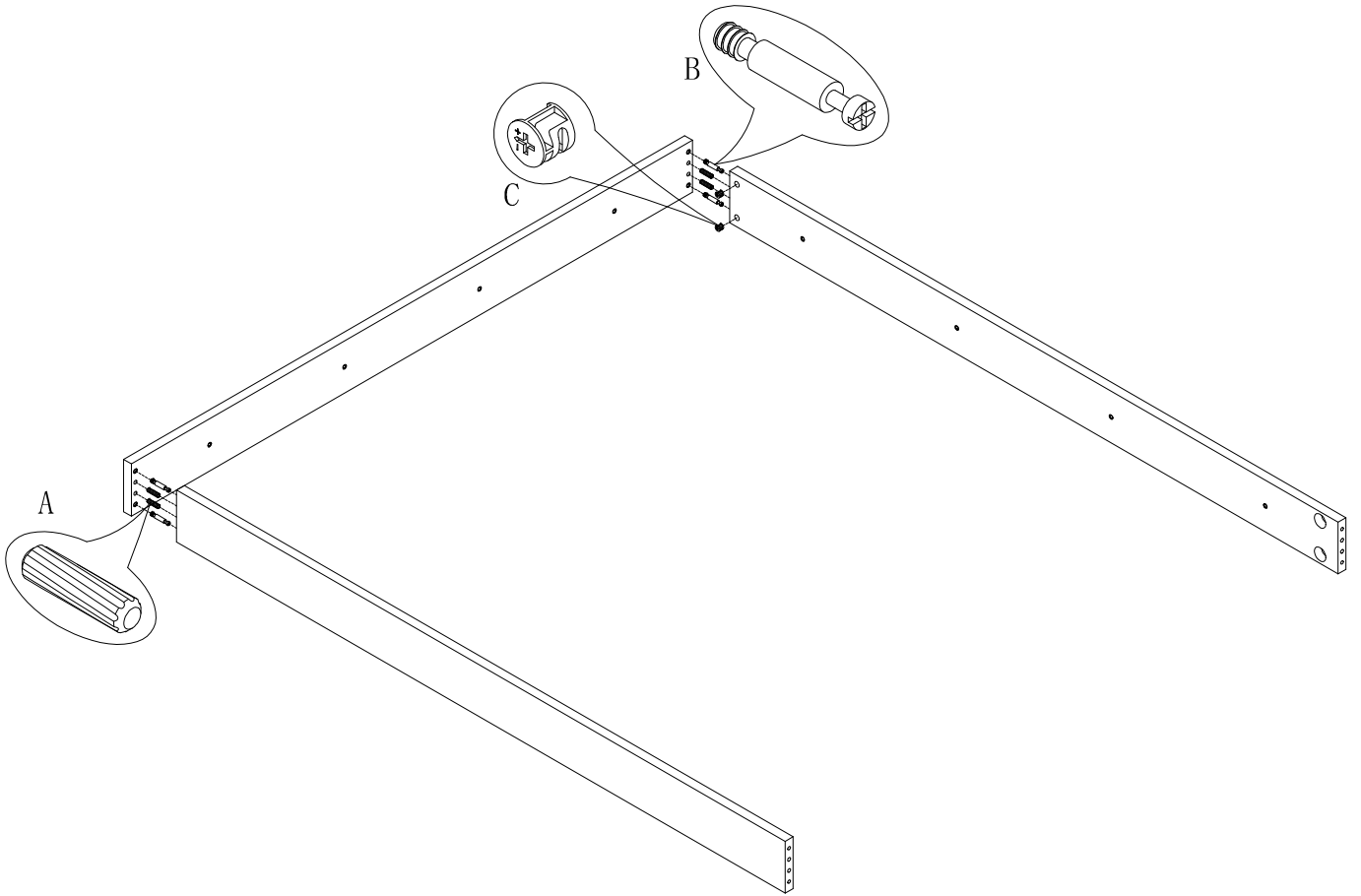
R x1
Spec: 10mm



S x2
Spec: M6*L50

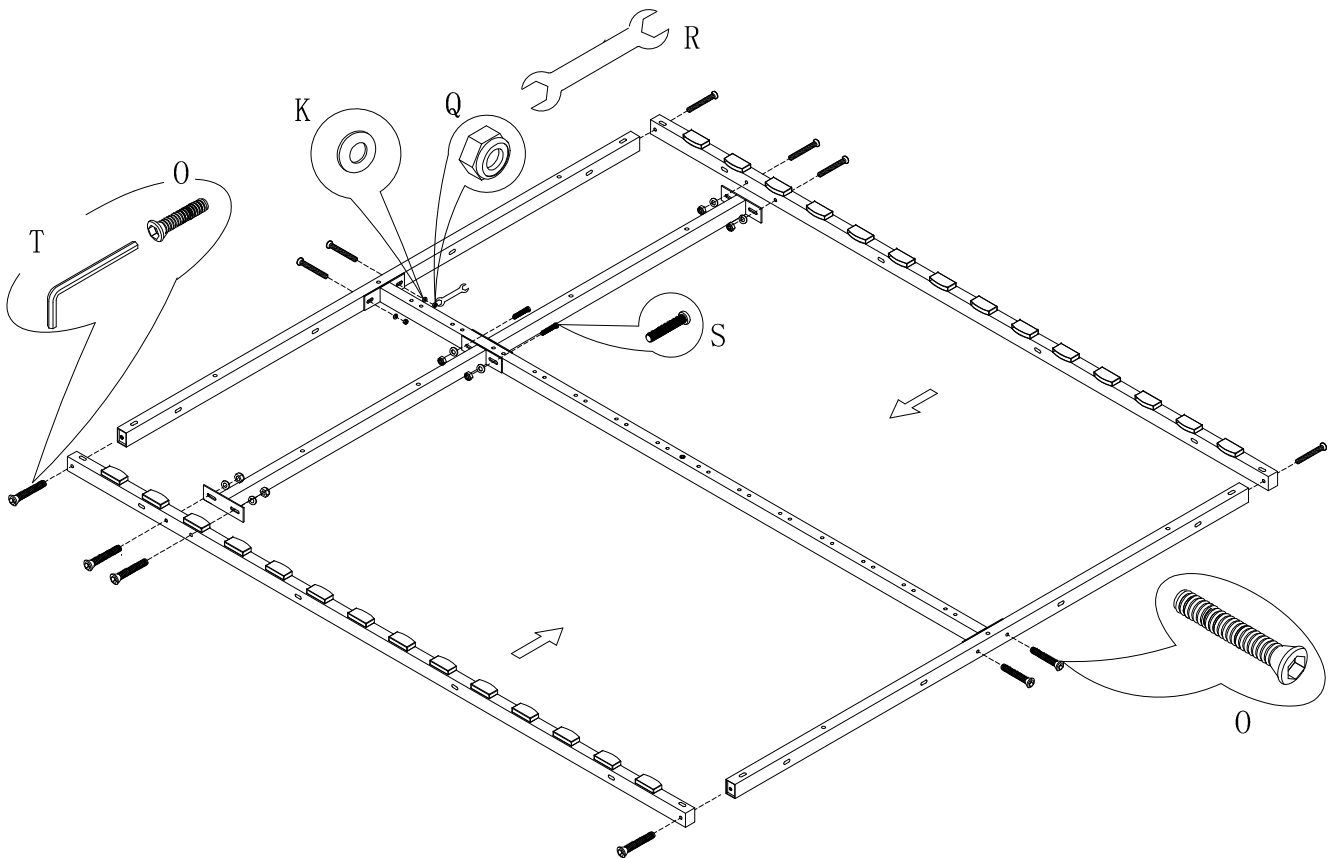


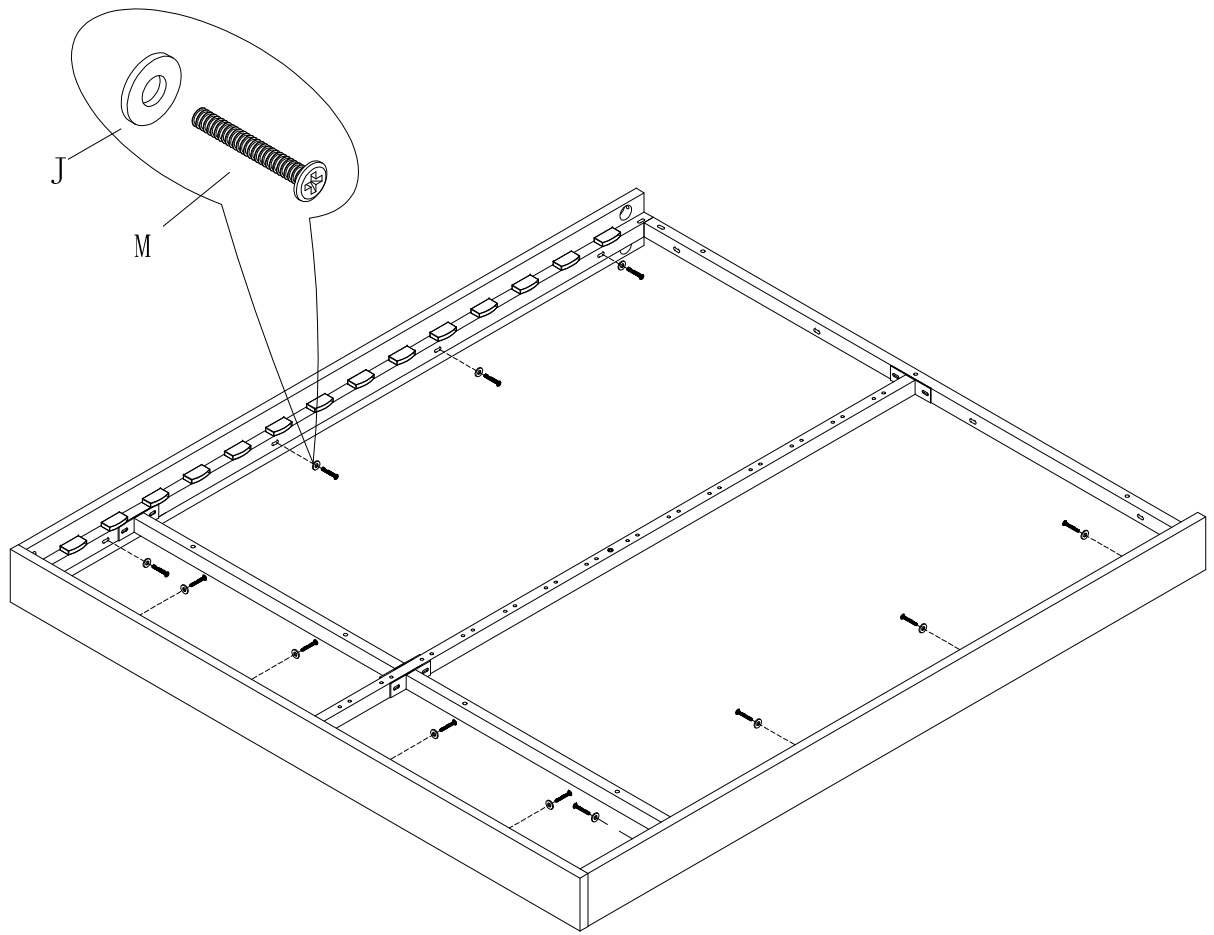
T x1
Spec: 4#



1

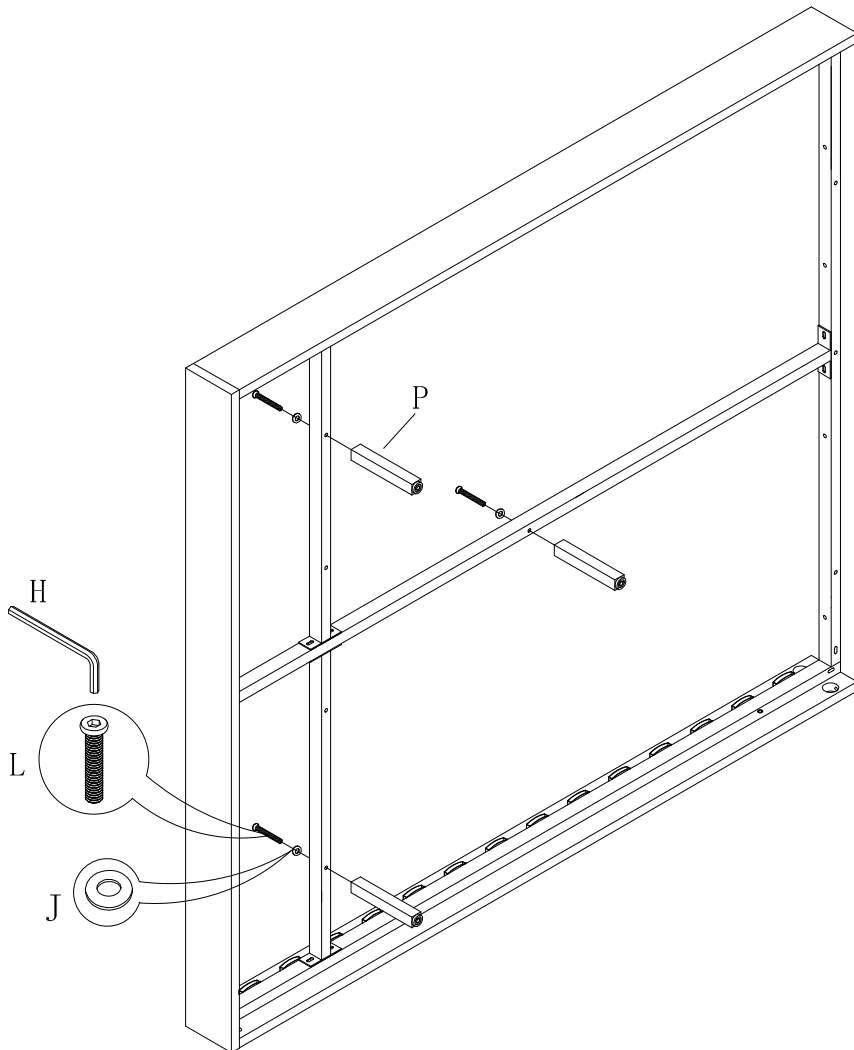
2

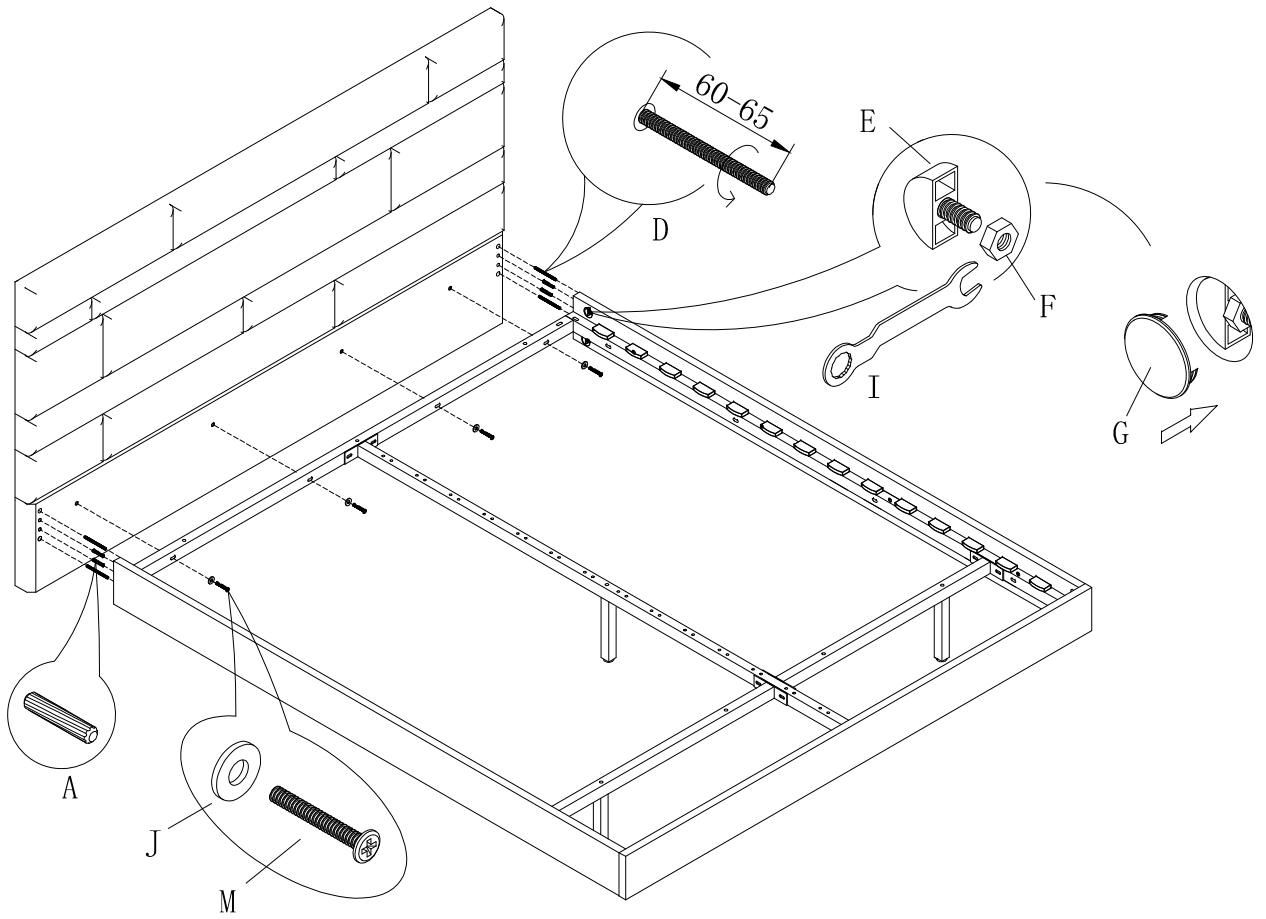




3

4





5

6

