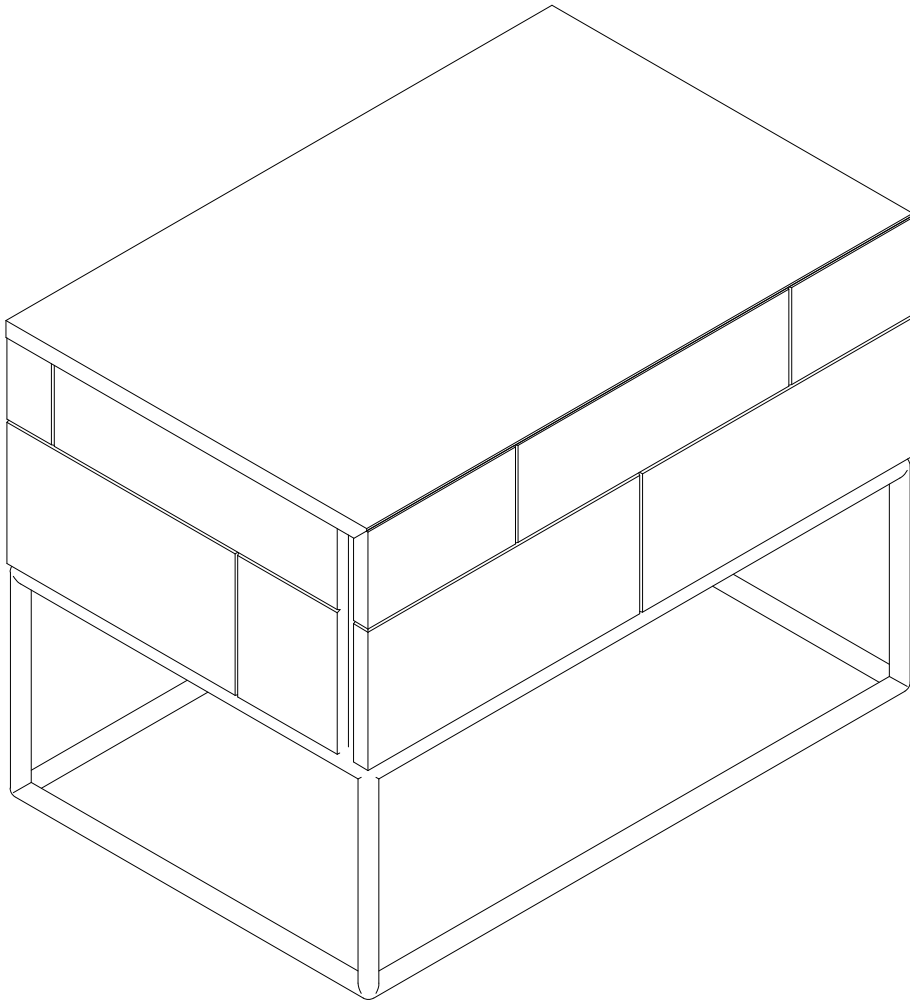
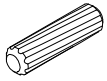
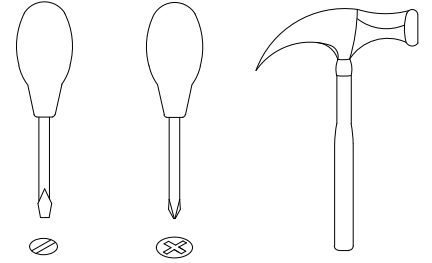
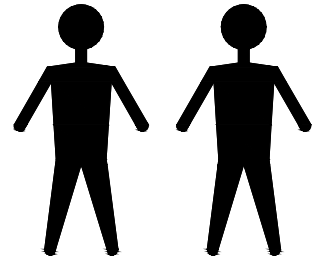


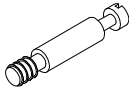
CP2021H



CP2021H



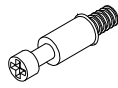
A x12
Spec: $\phi 8 * 30$



B x8
Spec: $\phi 7 * L30$



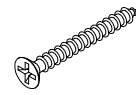
C x8
Spec: $\phi 15 * H12$



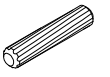
D x4
Spec: $\phi 6 * L28$



E x4
Spec: $\phi 12 * H9$



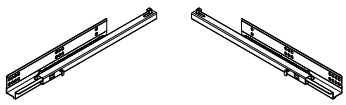
F x4
Spec: $\phi 3.5 * L35$



G x4
Spec: $\phi 6 * L30$



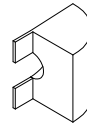
H x6
Spec: $\phi 6 * L8$



I x1
Spec: L350



J x6
Spec: $\phi 3.5 * L16$



K x6
Spec: H13



L x8
Spec: $3.8 * L16$



M x1
Spec: 10g



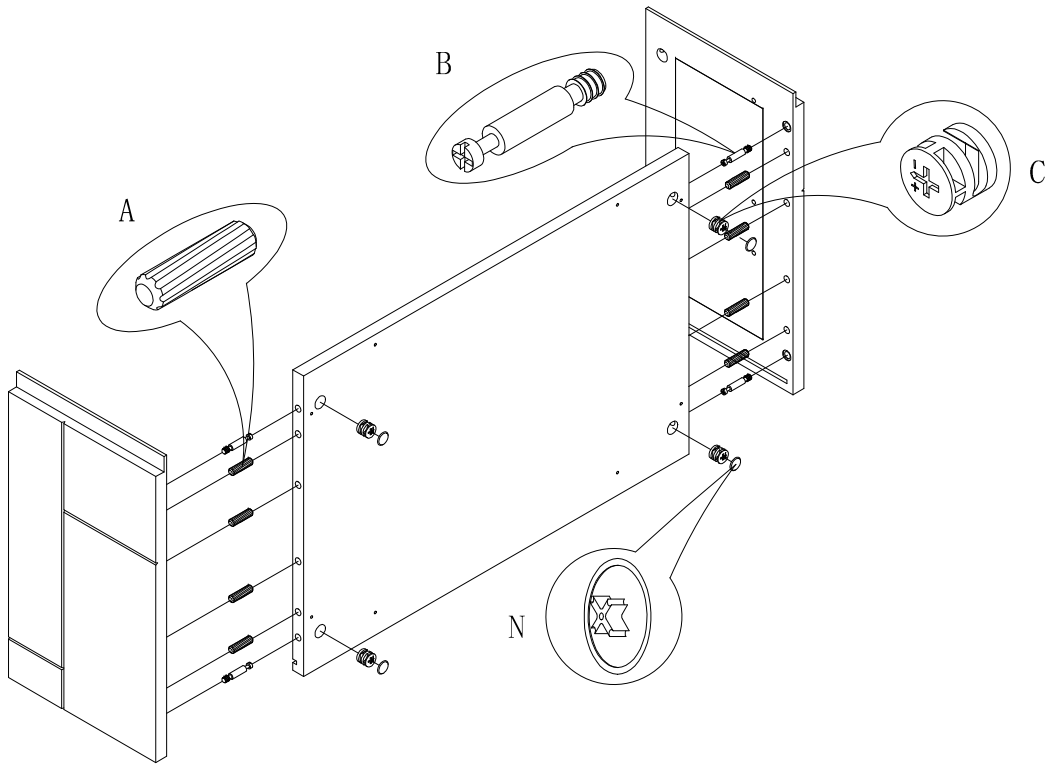
N x12
Spec:



O x6
Spec: $30 * 5$

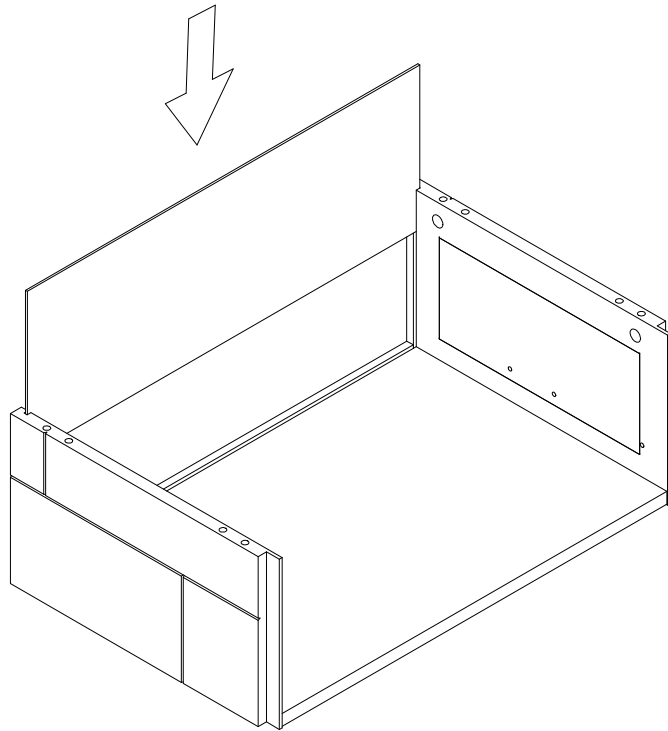


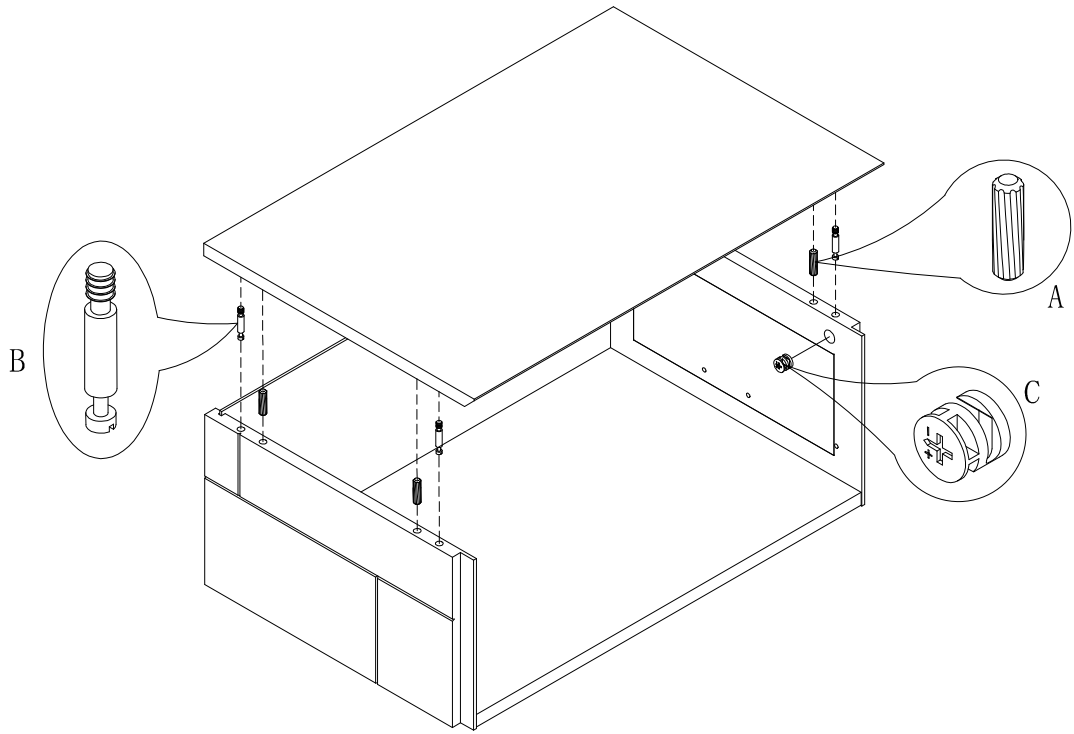
AAA x4
Spec: $\phi 3.8 * L12$



1

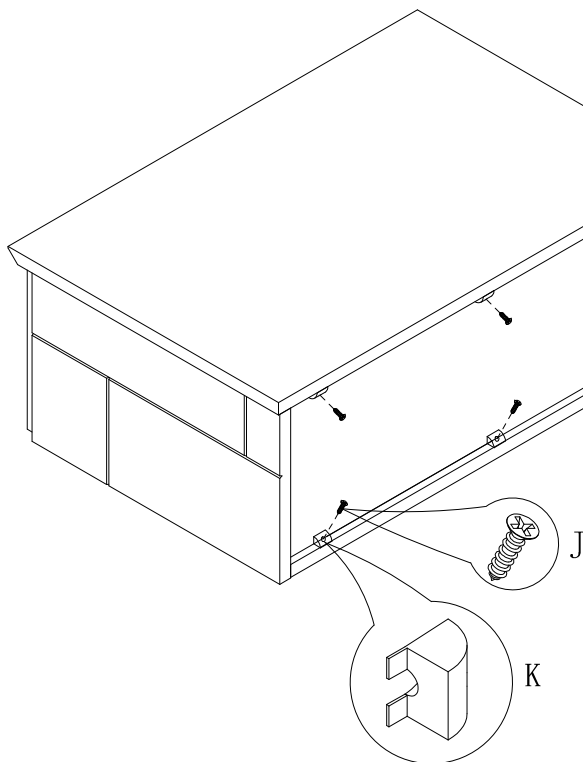
2

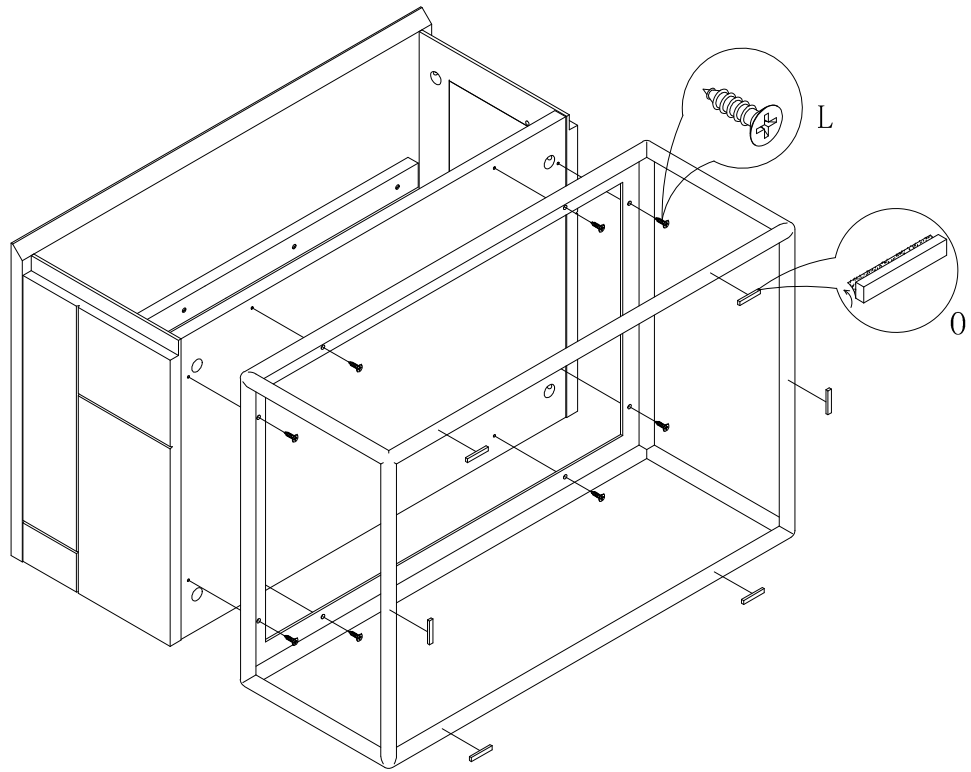




3

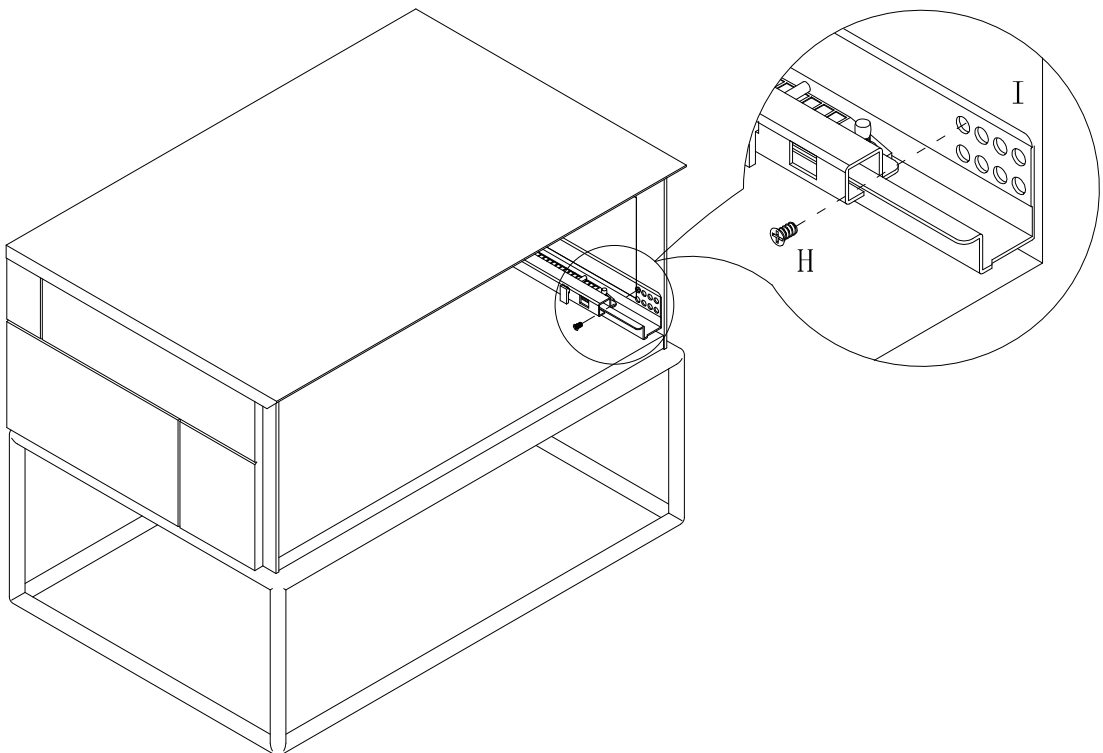
4

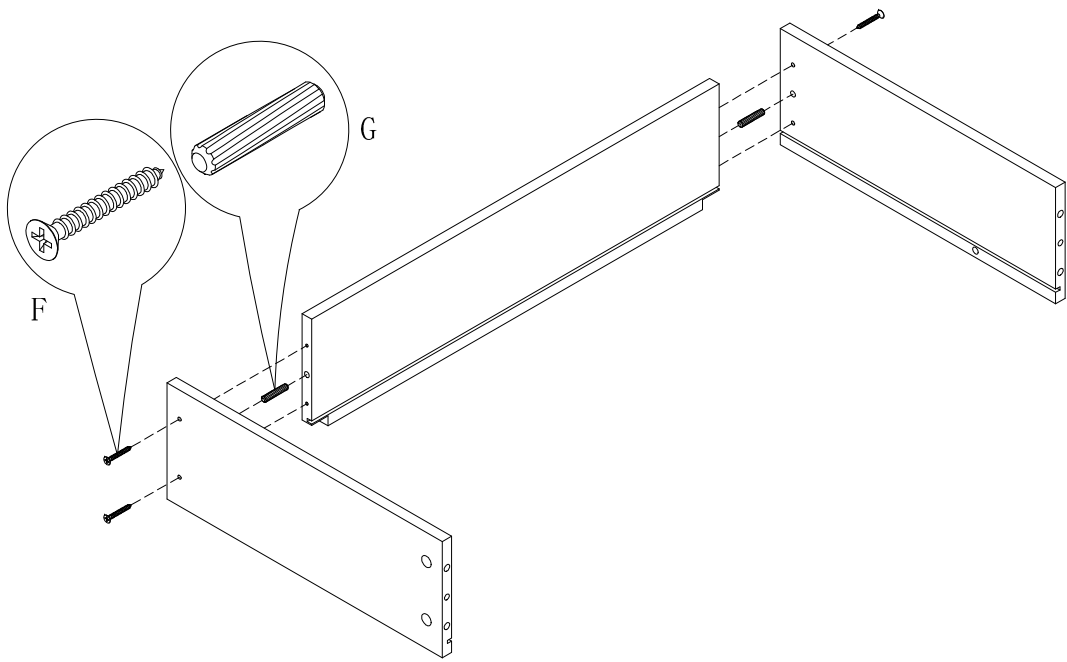




5

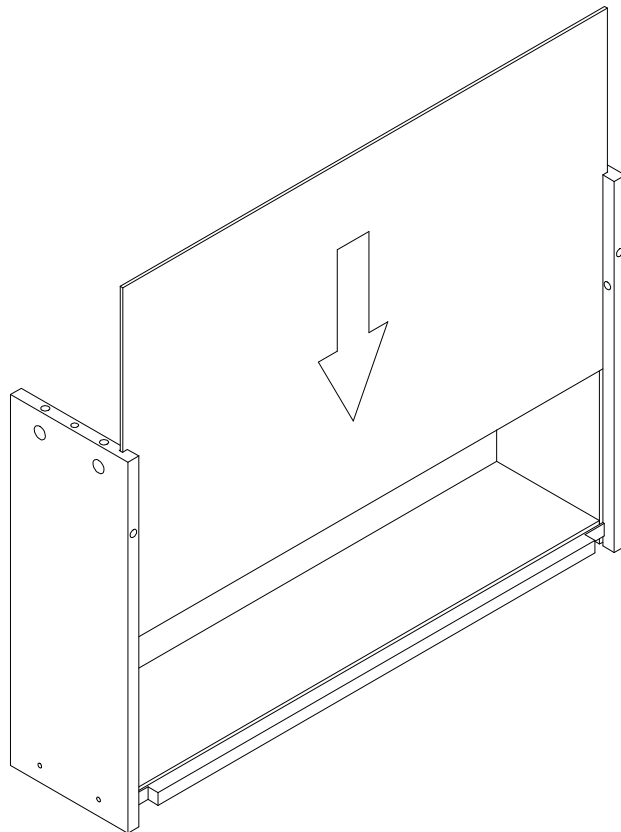
6

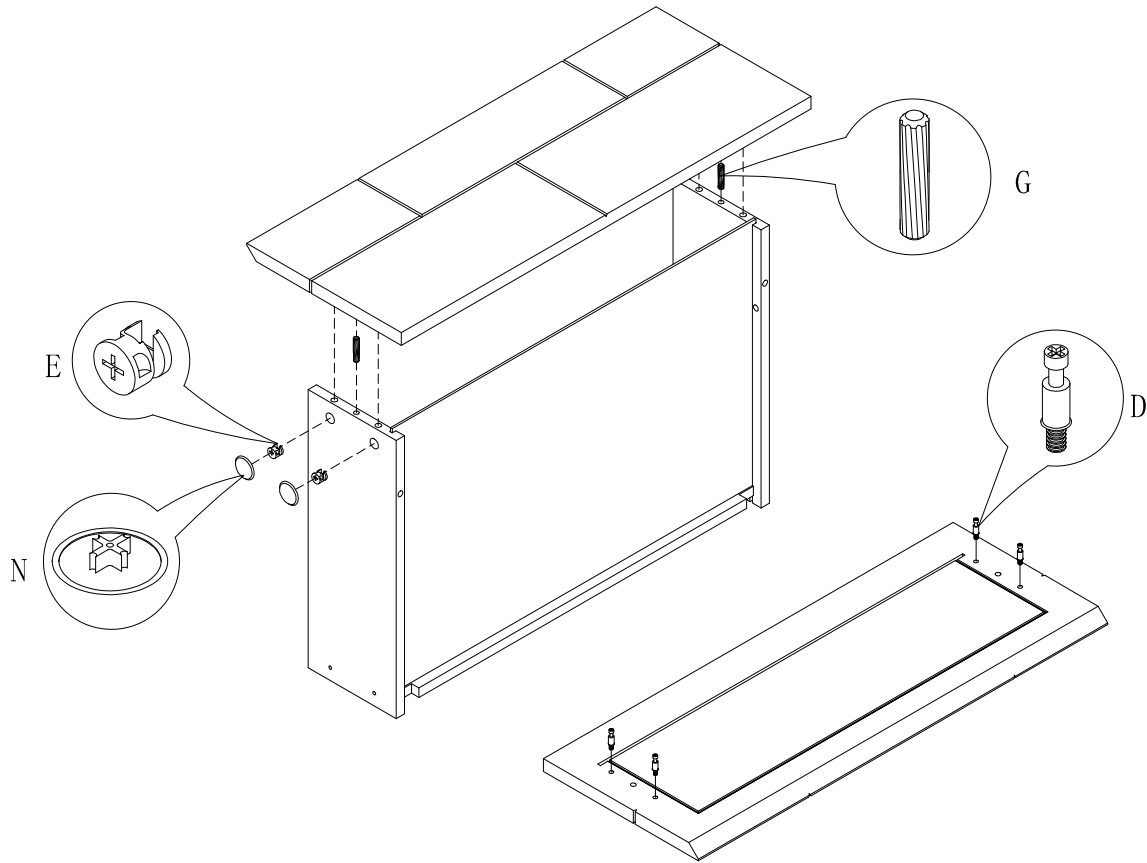




7

8





9

10

