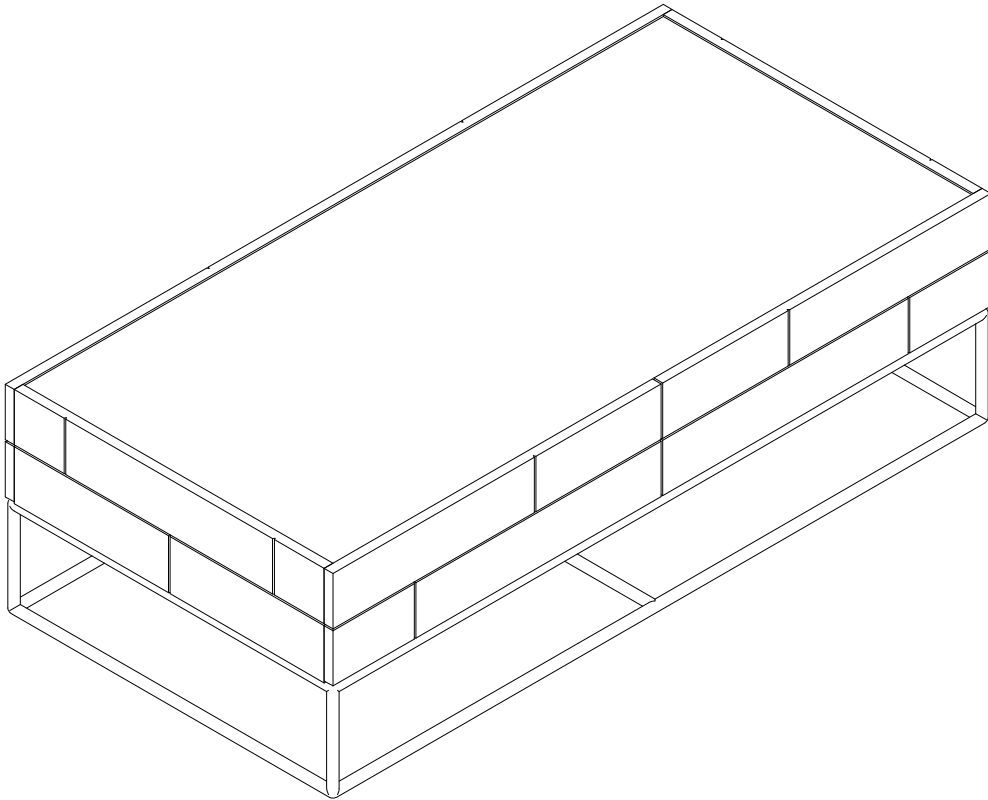
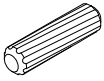
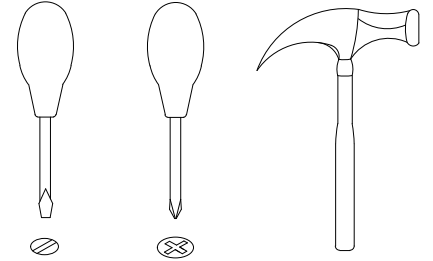
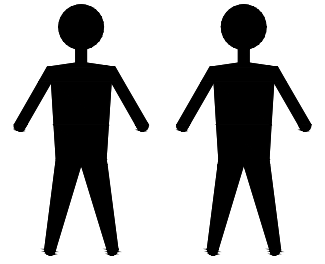


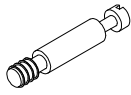
CP2021G



CP2021G



A x28
Spec: $\varnothing 8 \times 30$



B x20
Spec: $\varnothing 7 \times L30$



C x20
Spec: $\varnothing 15 \times H12$



D x8
Spec: $\varnothing 6 \times L28$



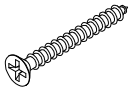
E x8
Spec: $\varnothing 12 \times H9$



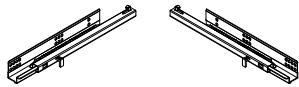
F x12
Spec: $\varnothing 6 \times L8$



G x1
Spec: 10g



H x8
Spec: $\varnothing 3.5 \times L35$



I x2
Spec: L400



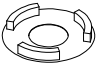
J x12
Spec: $3.8 \times L16$



K x20
Spec:



L x6
Spec: 30×5



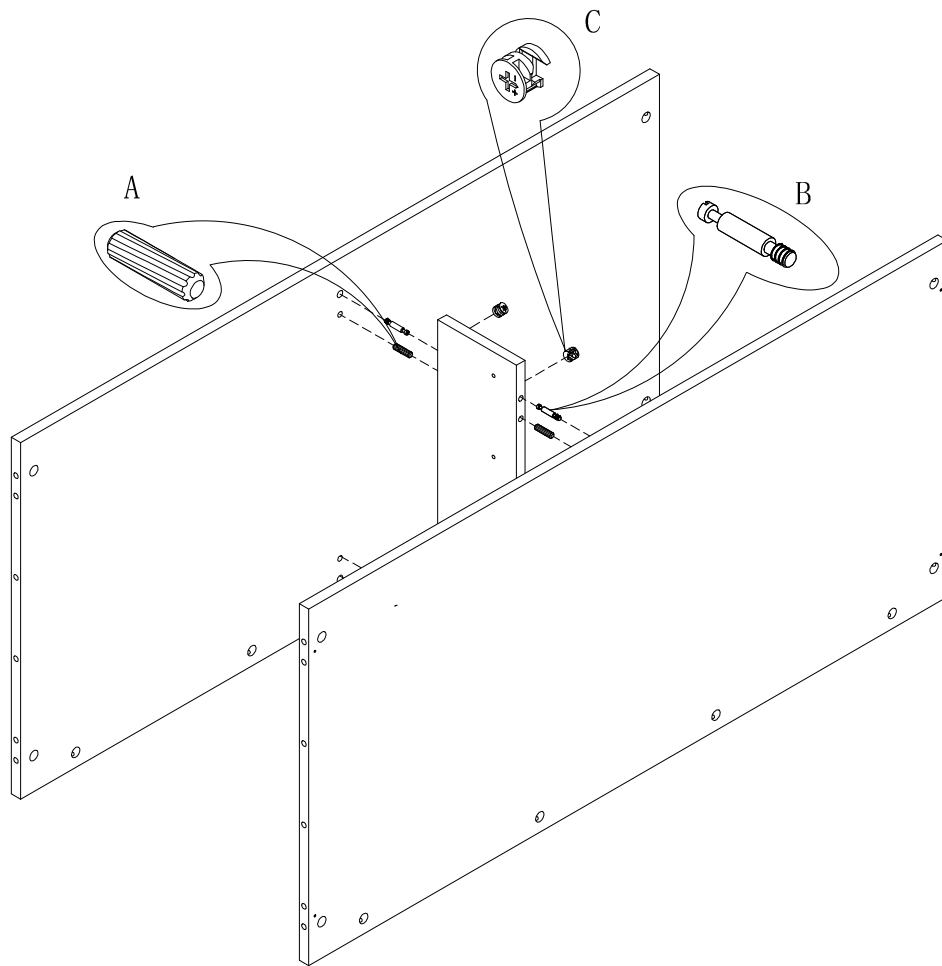
M x8
Spec:



N x1
Spec:

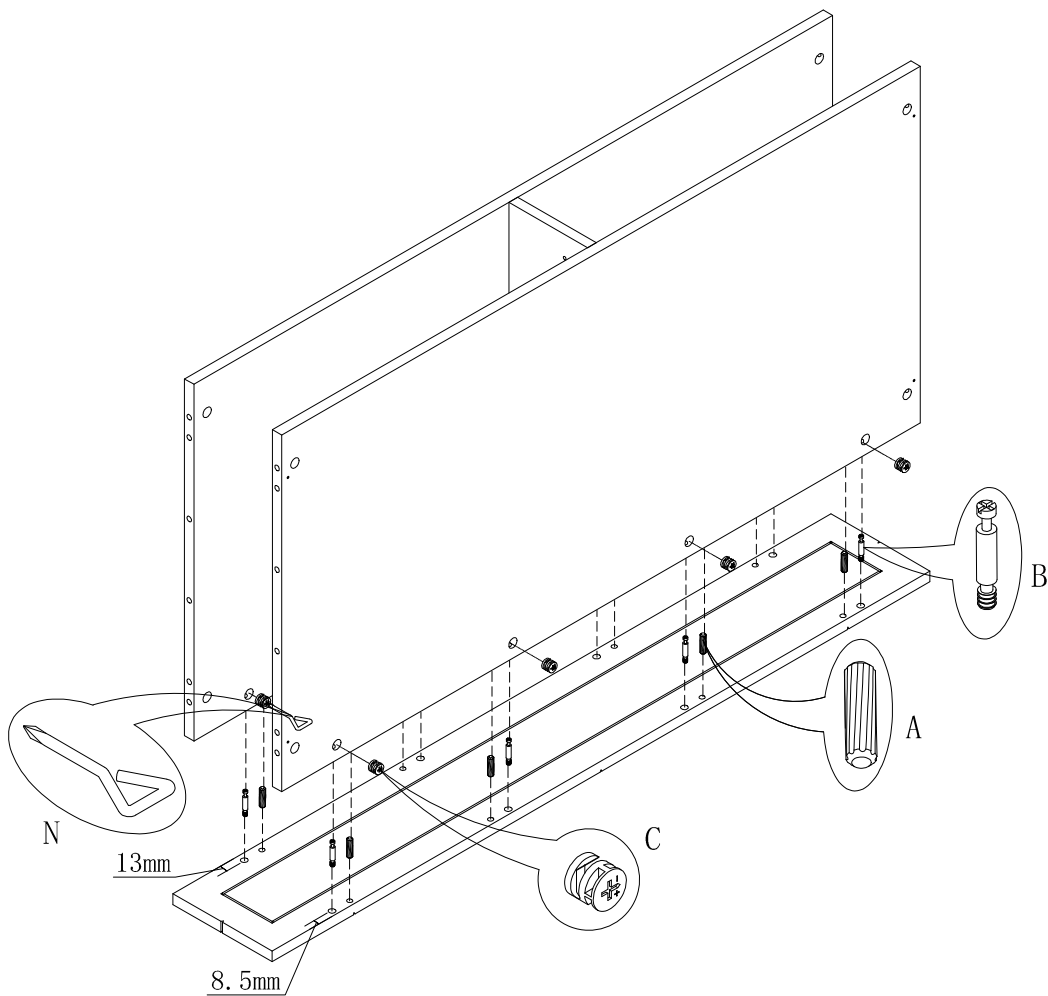


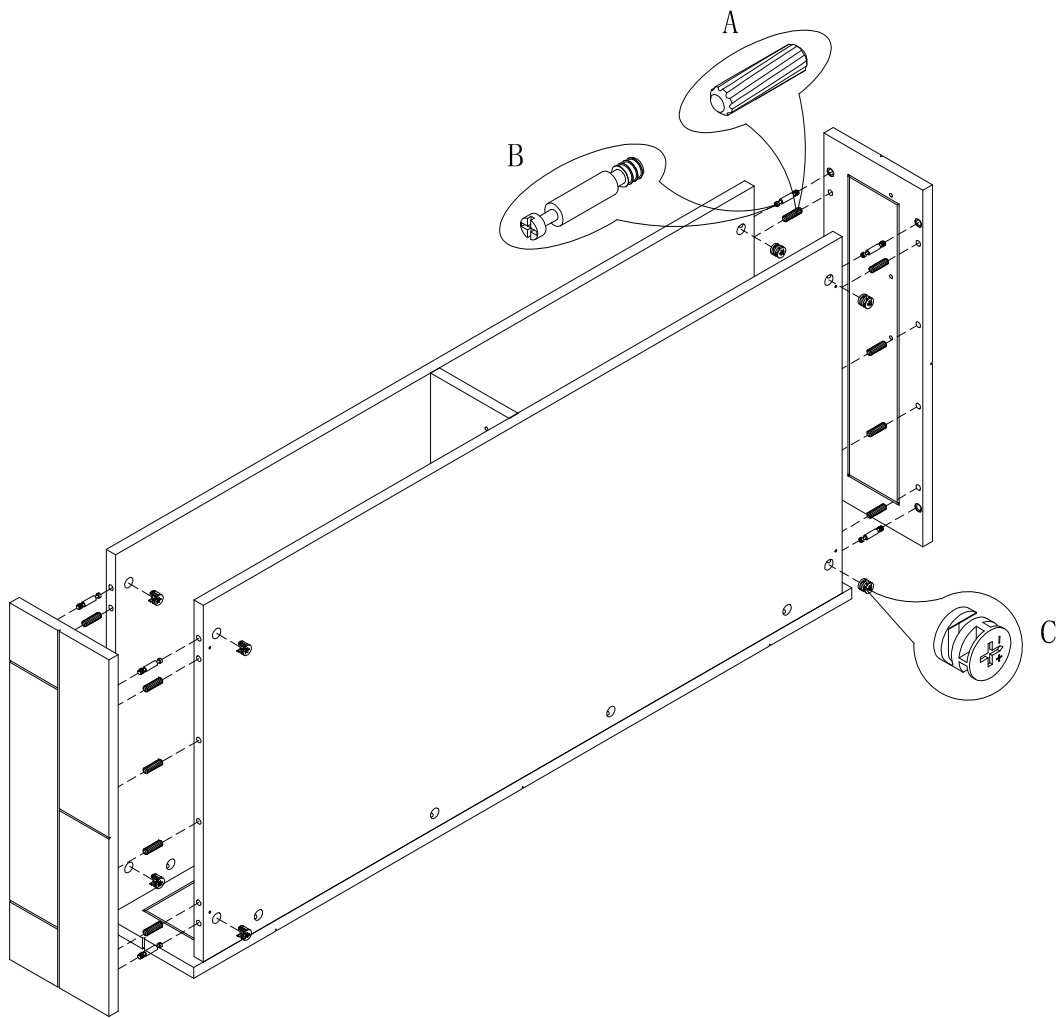
AAA x8
Spec: $\varnothing 3.8 \times L12$



1

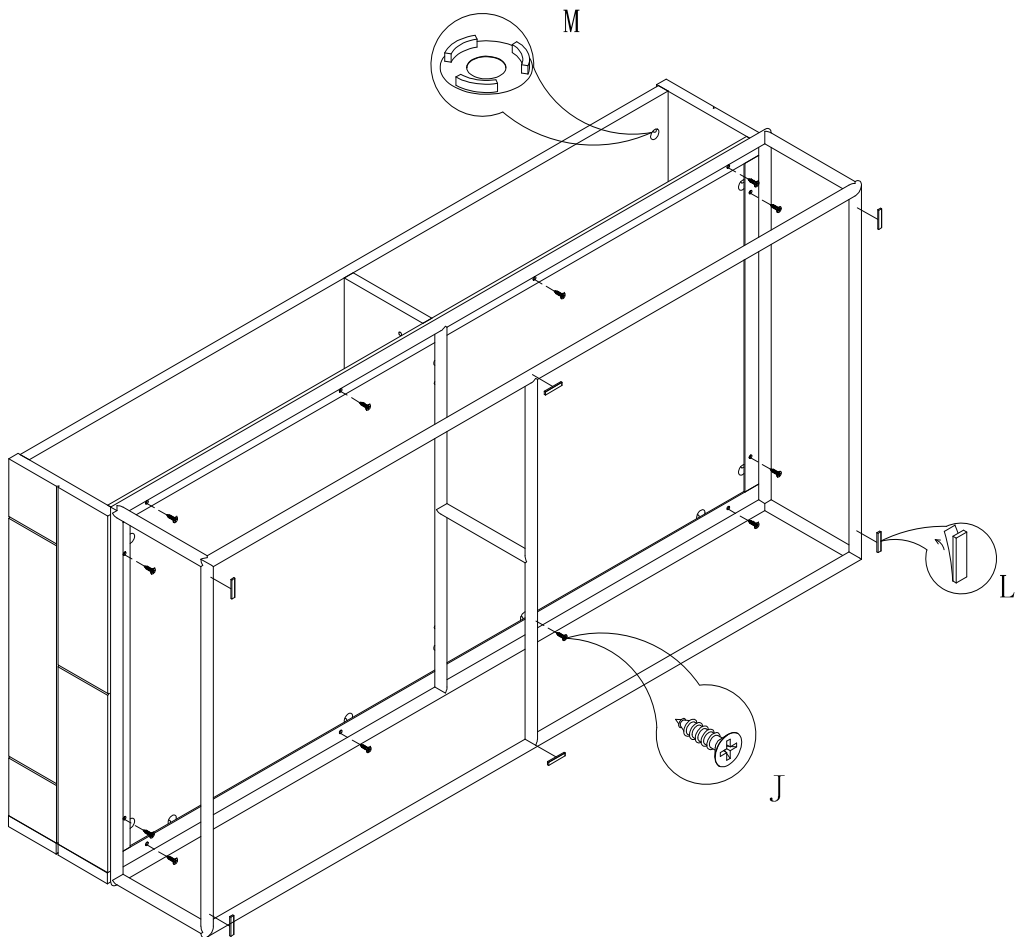
2

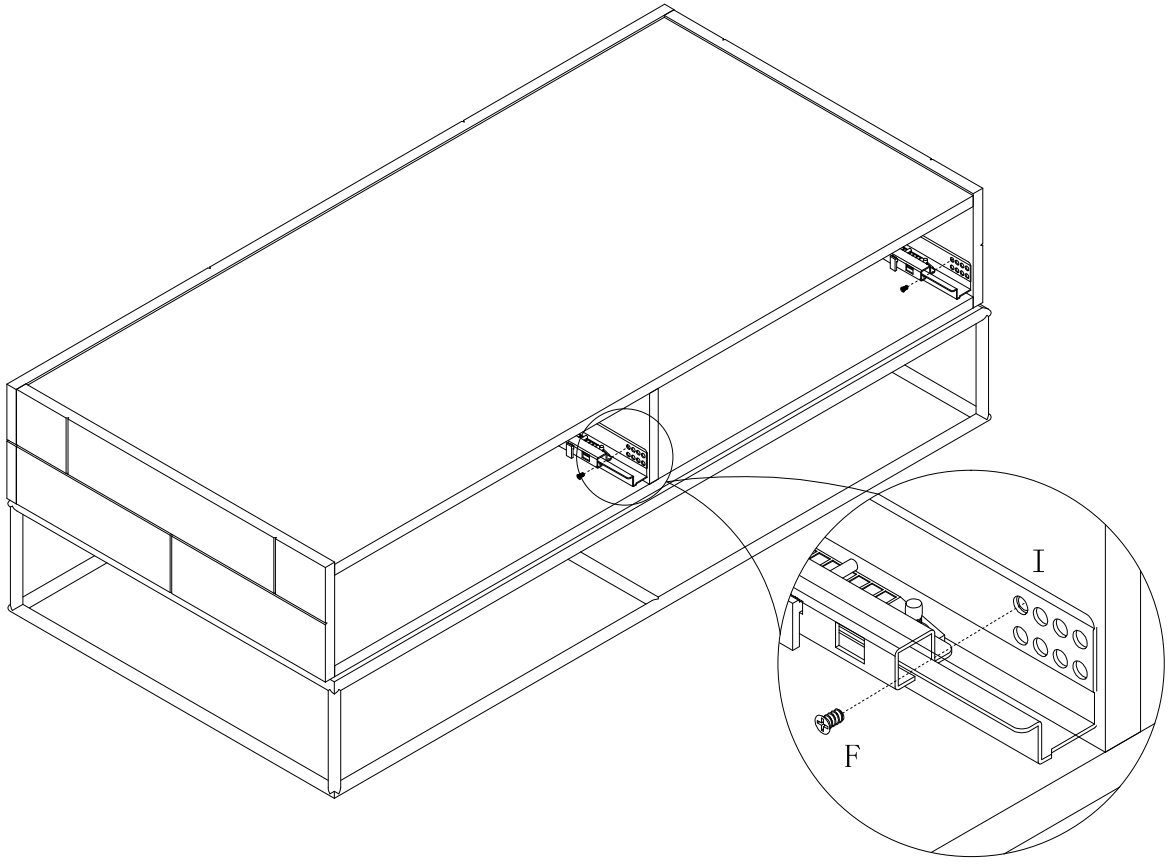




3

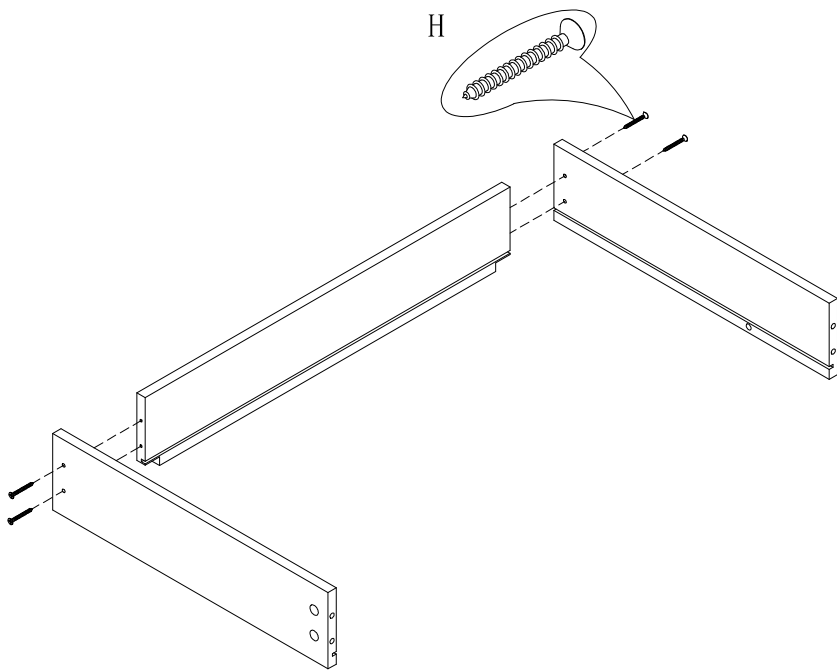
4

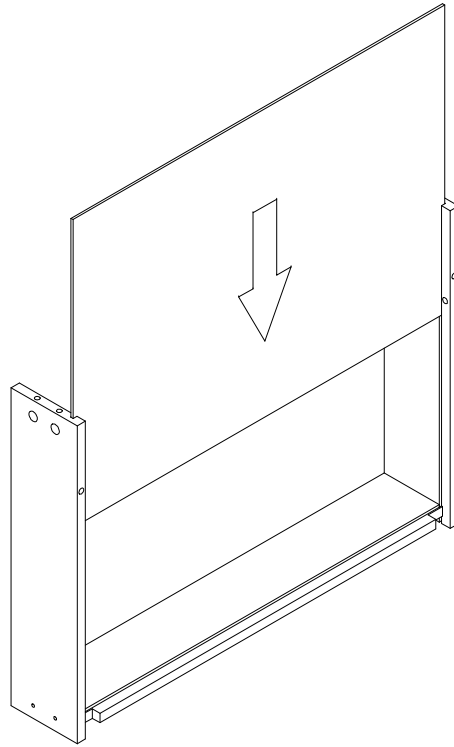




5

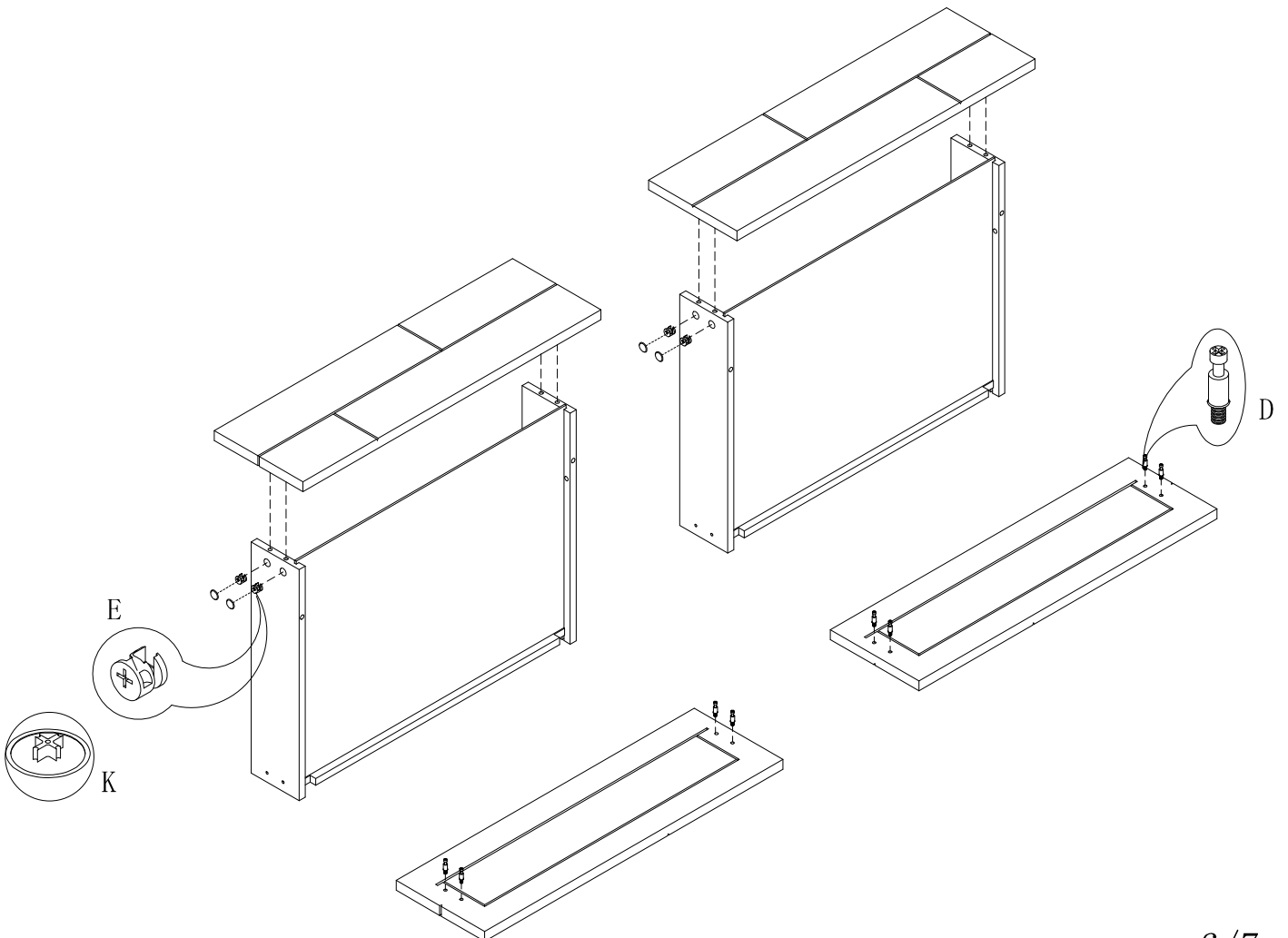
6

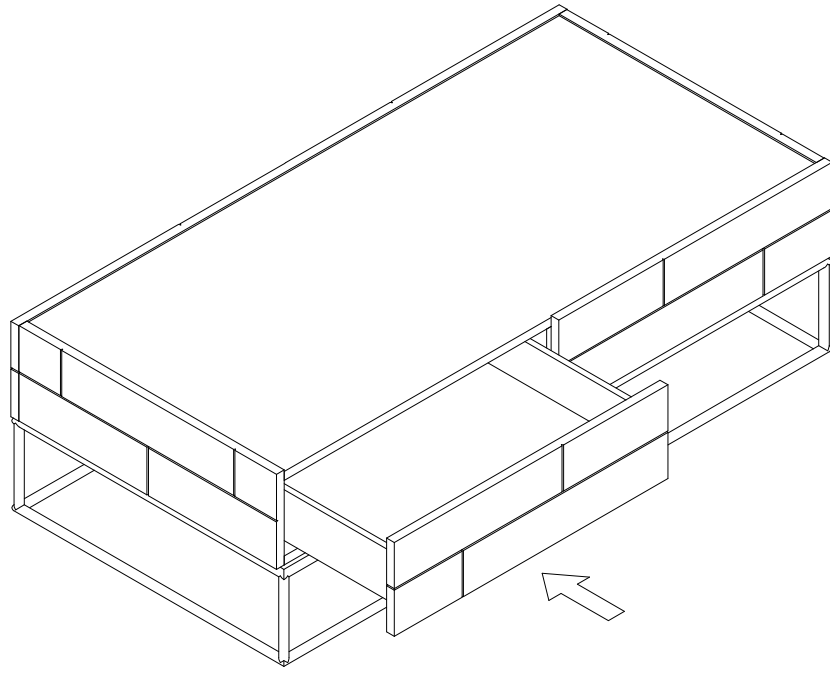




7

8





9
