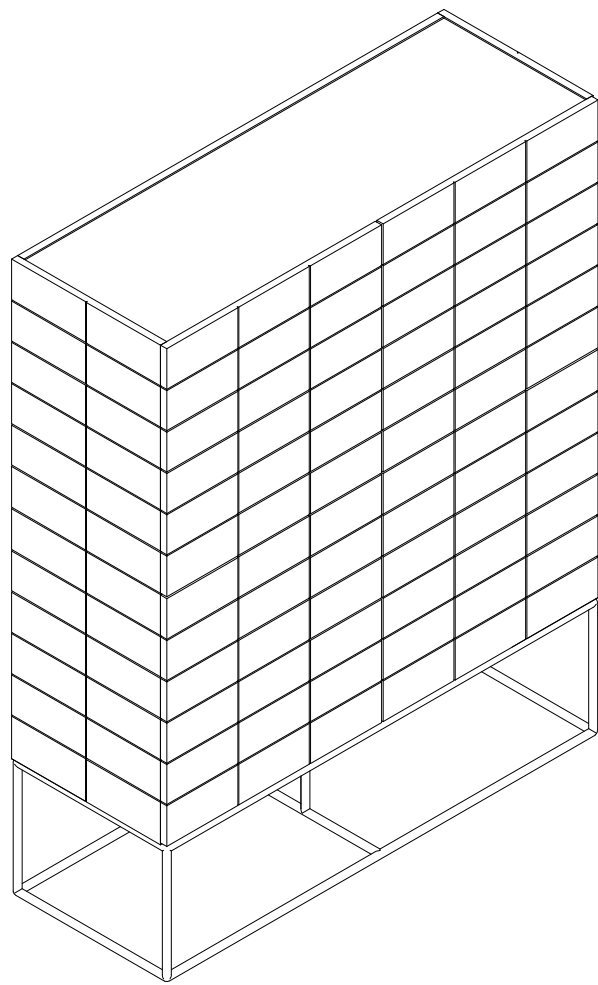
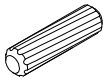
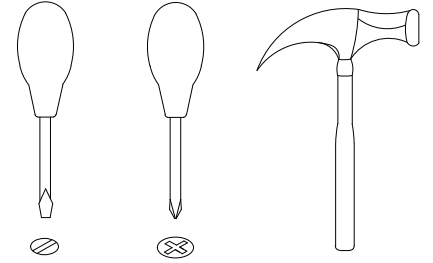
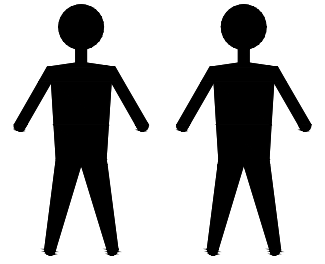


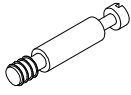
# CP2021F1



# # CP2021F1



A x28  
Spec:  $\phi 8 \times 30$



B x16  
Spec:  $\phi 7 \times L30$



C x20  
Spec:  $\phi 15 \times H12$



D x28  
Spec:  $3.8 \times L16$



E x16  
Spec:  $\phi 3.5 \times L16$



F x16  
Spec: H13



G x1  
Spec: 10g



H x16  
Spec:



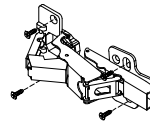
I x4  
Spec:



J x16  
Spec:  $\phi 5 \times L19$



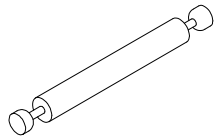
K x16  
Spec:  $\phi 20 \times H12$



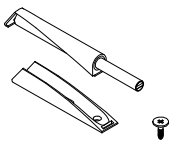
L x8  
Spec: 069#



M x6  
Spec:  $30 \times 5$



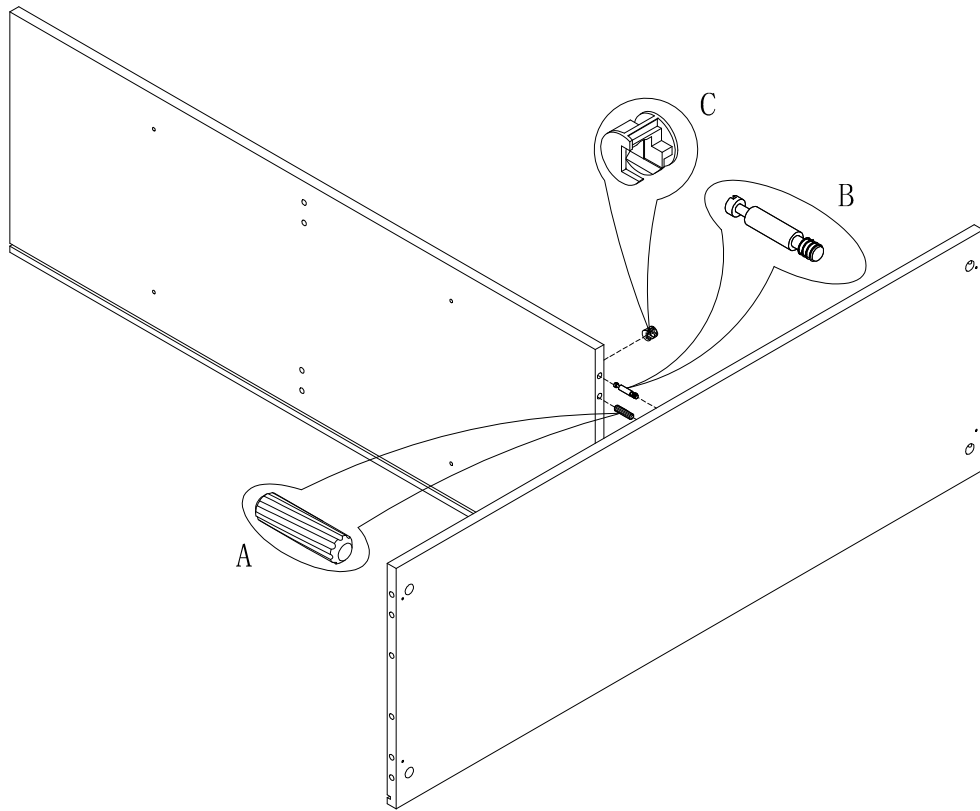
N x2  
Spec:  $\phi 7 \times L66$



O x4  
Spec:

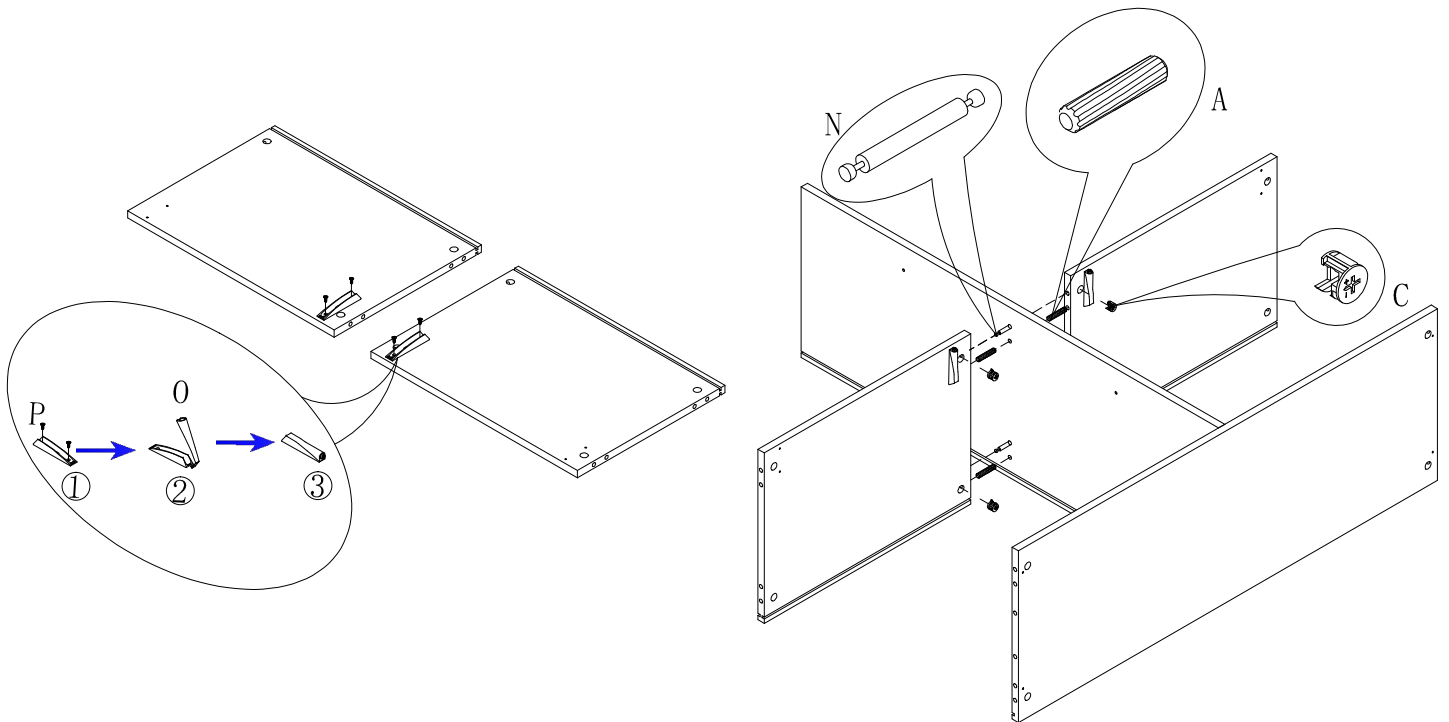


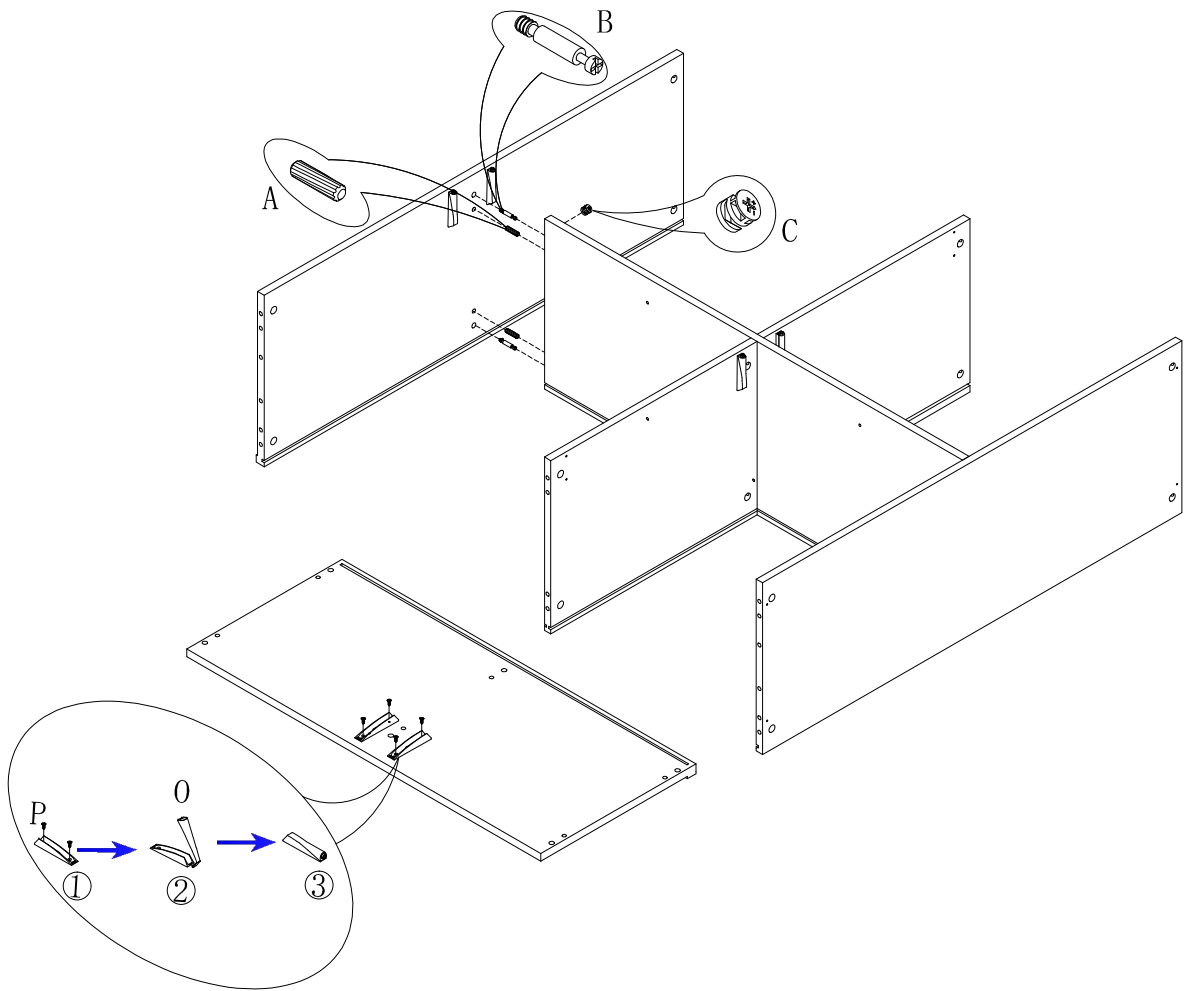
P x8  
Spec:  $\phi 3.5 \times L11$



1

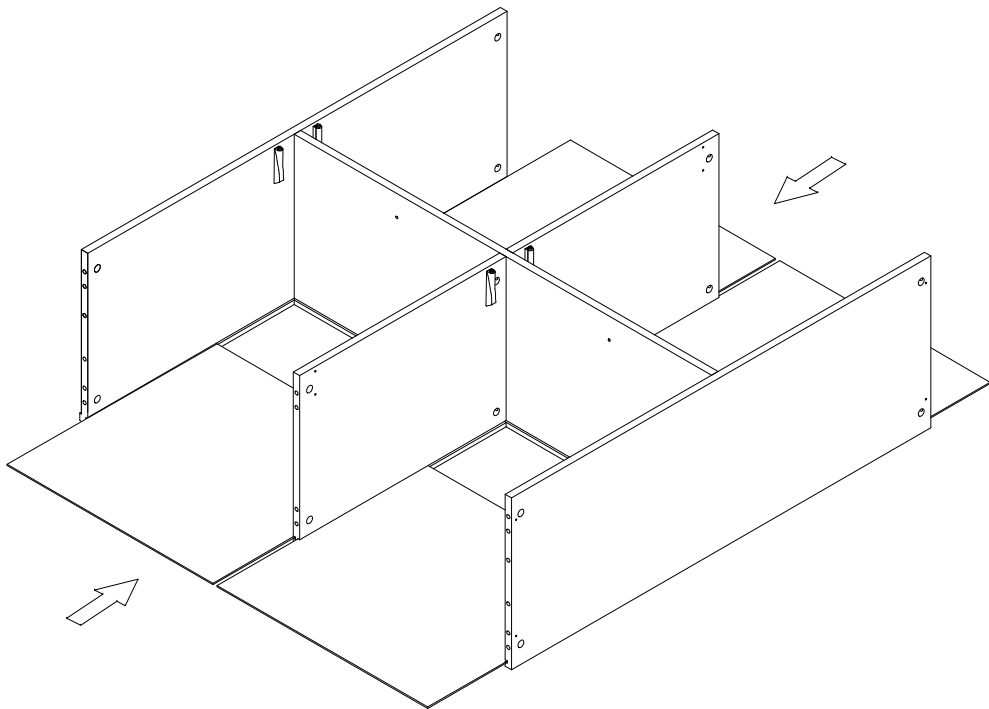
2

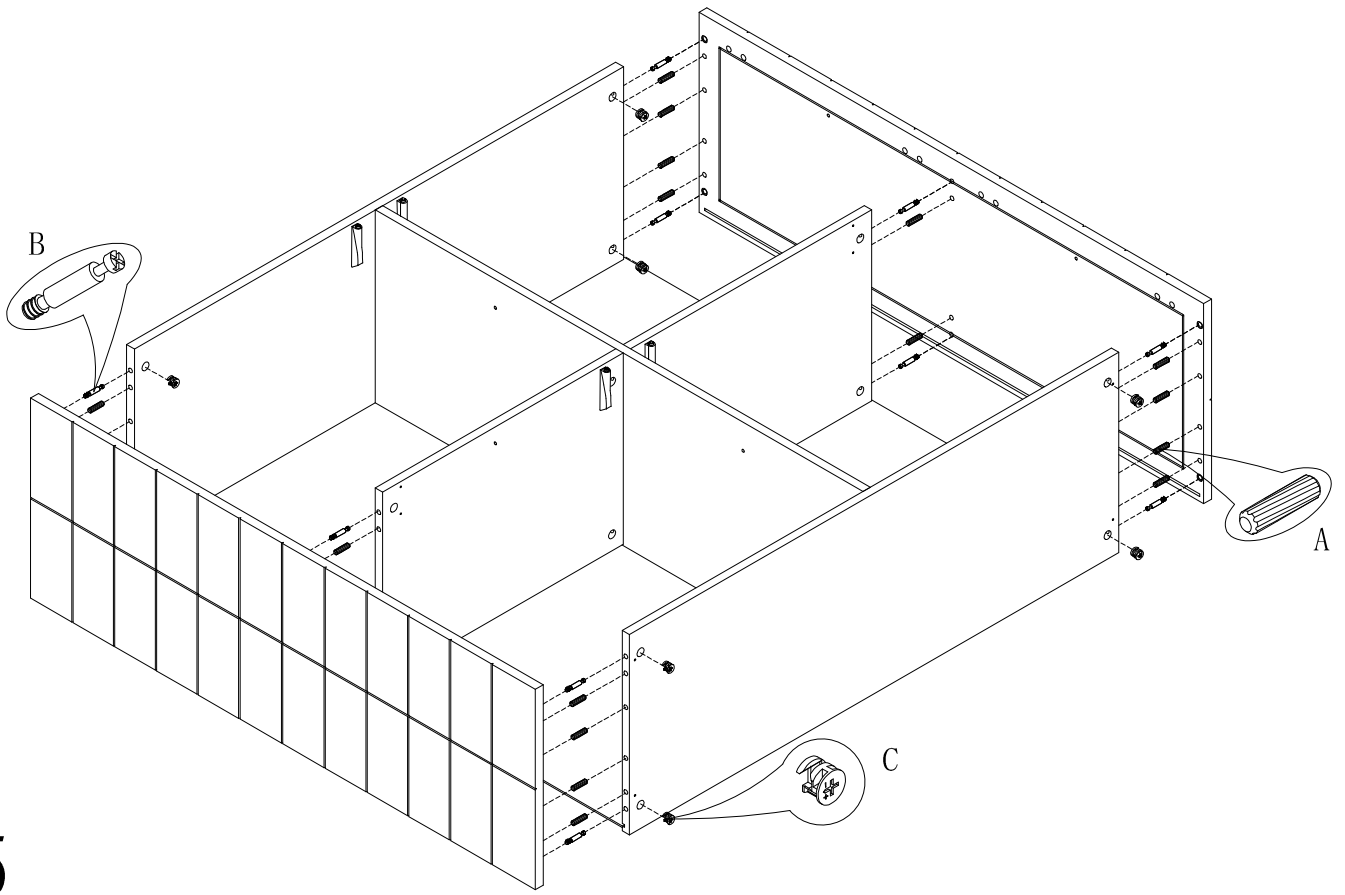




3

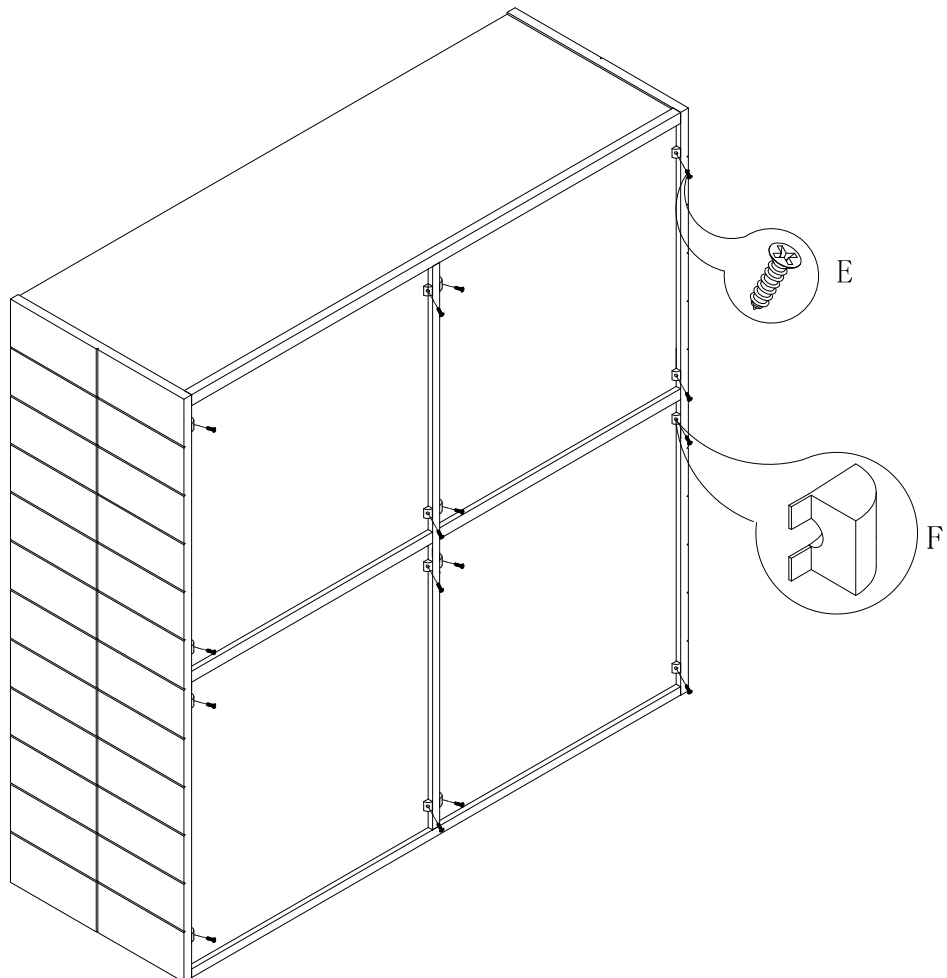
4

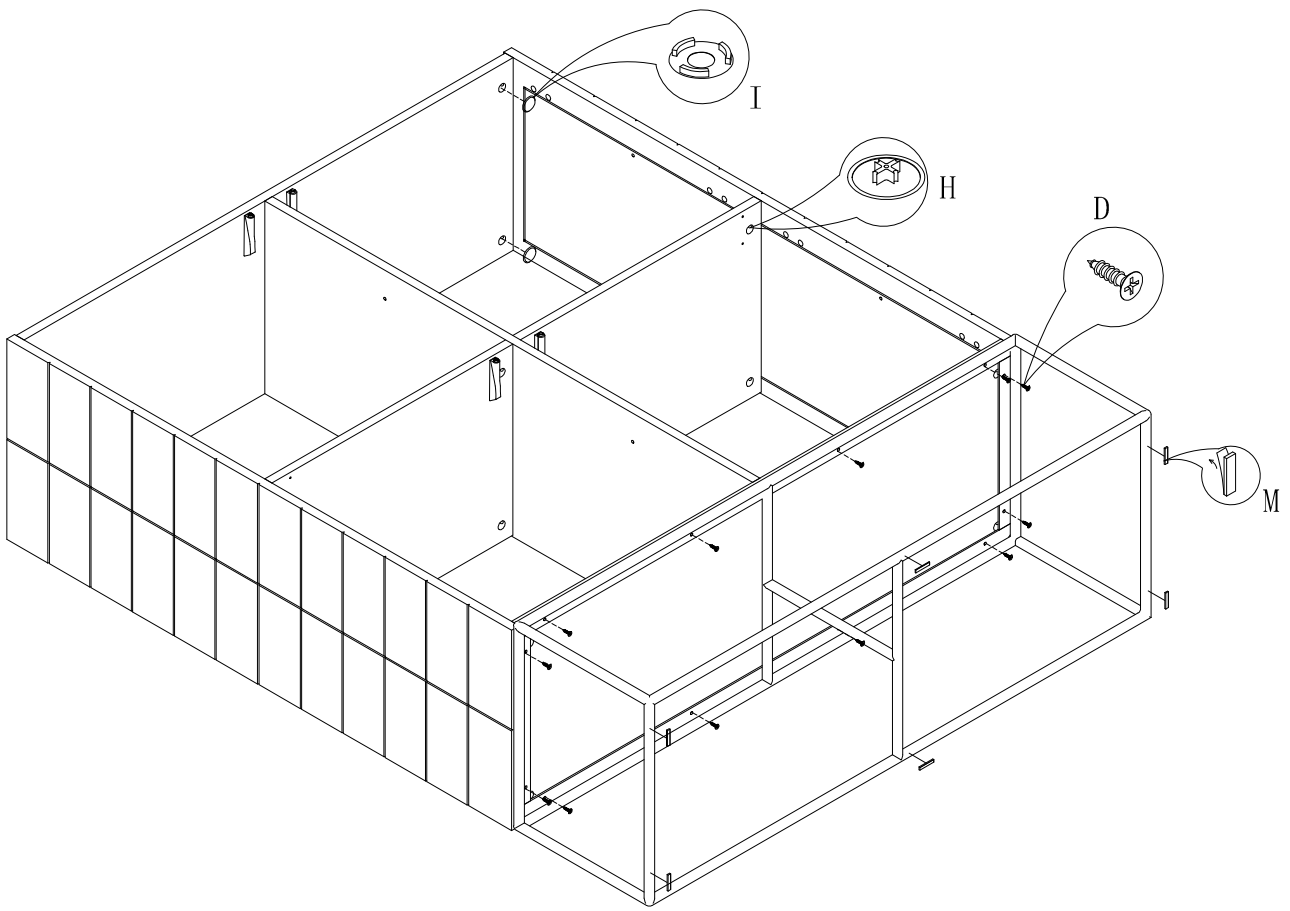




5

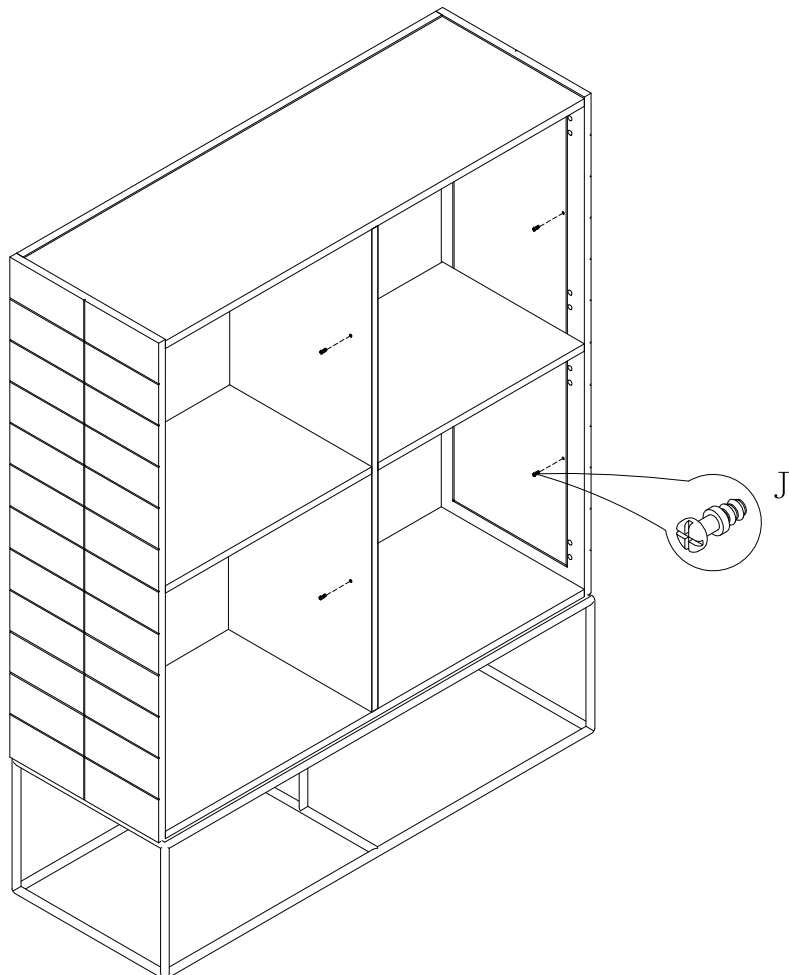
6

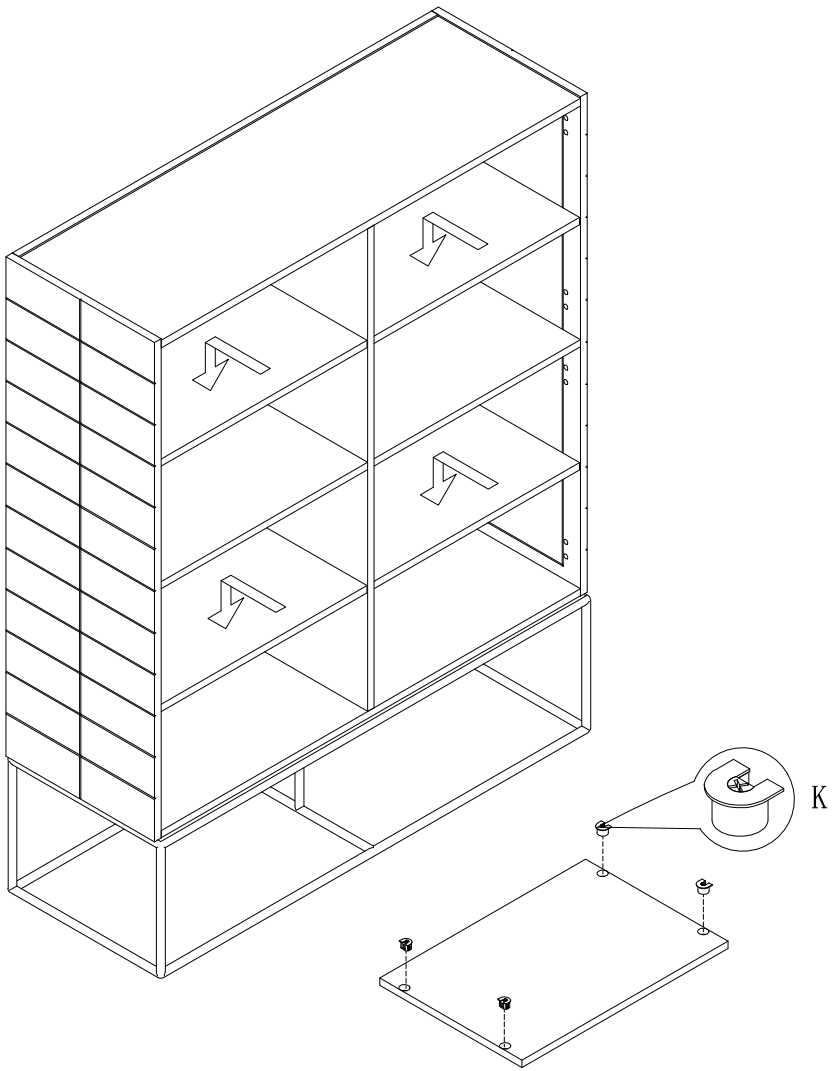




7

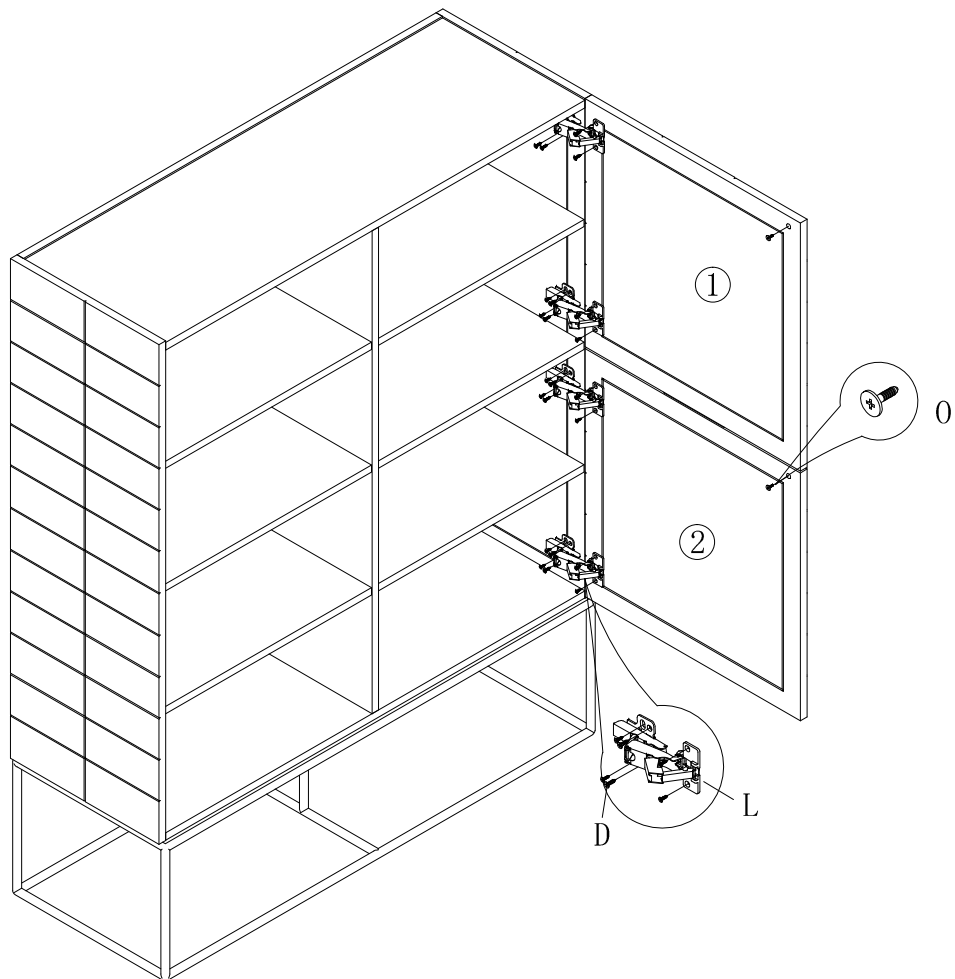
8

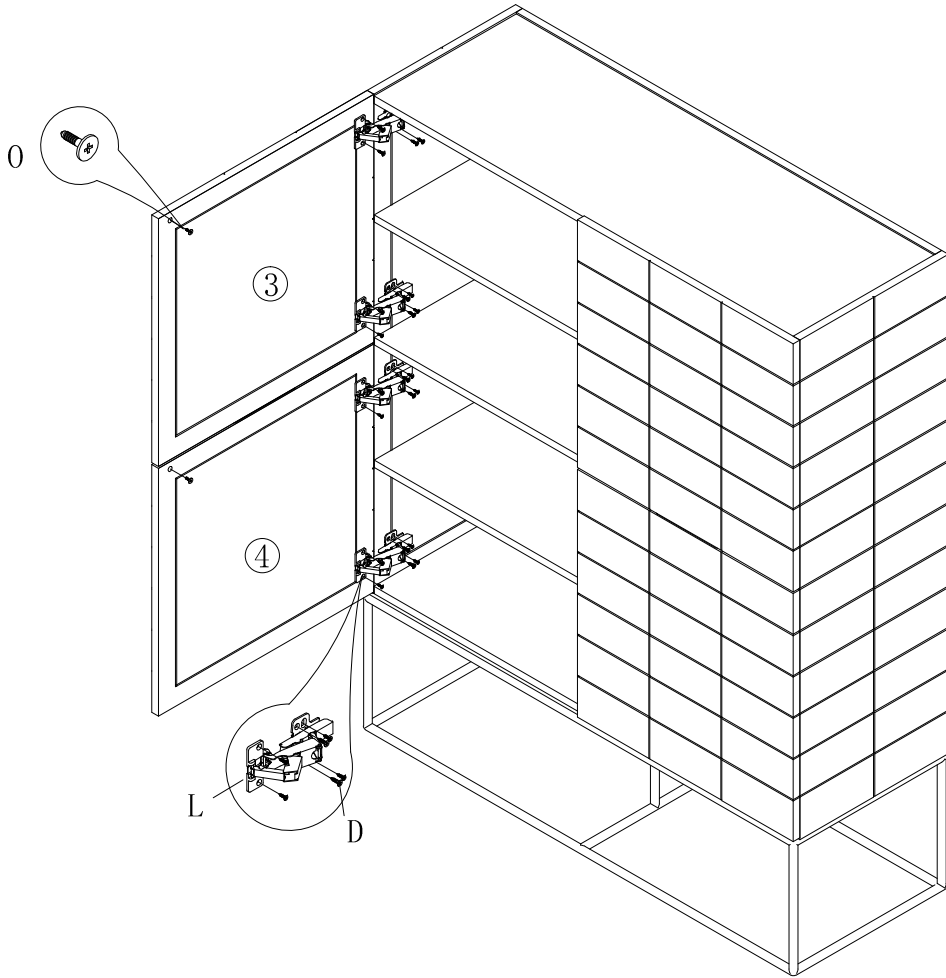




9

10





11