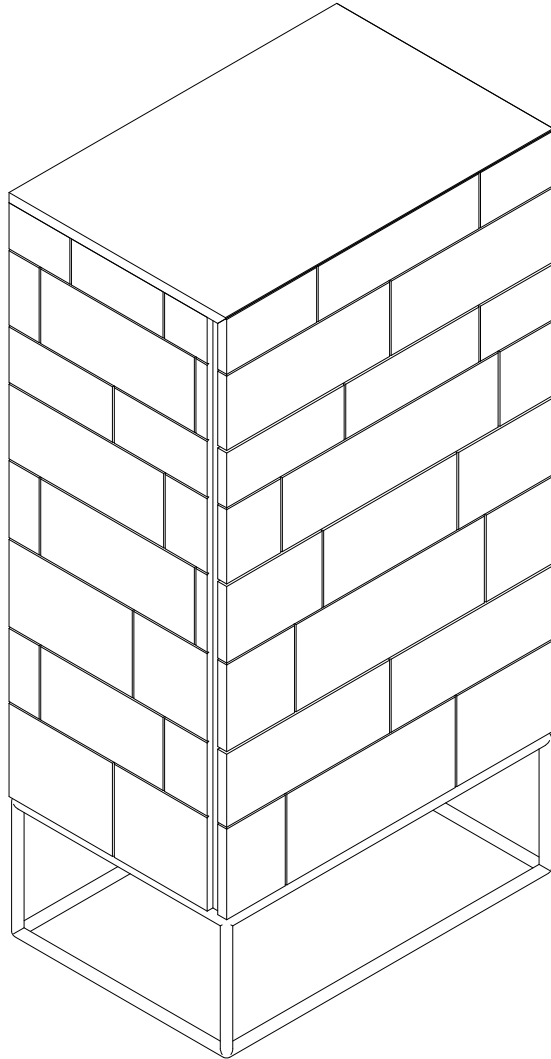
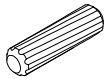
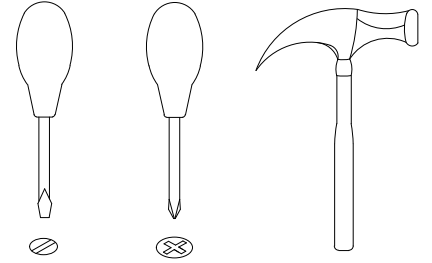
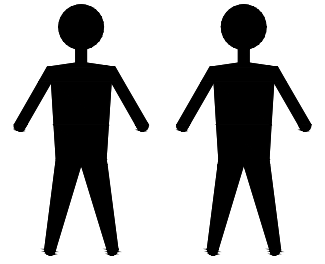


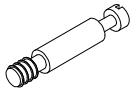
CP2021A



CP2021A



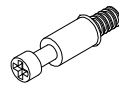
A x20
Spec: $\varnothing 8 \times 30$



B x12
Spec: $\varnothing 7 \times L30$



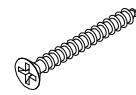
C x12
Spec: $\varnothing 15 \times H12$



D x16
Spec: $\varnothing 6 \times L28$



E x16
Spec: $\varnothing 12 \times H9$



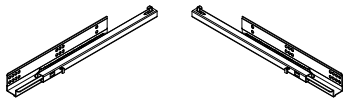
F x16
Spec: $\varnothing 3.5 \times L35$



G x24
Spec: $\varnothing 6 \times 30$



H x24
Spec: $\varnothing 6 \times L8$



I x4
Spec: L350



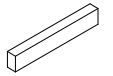
J x28
Spec:



K x2
Spec: 10g



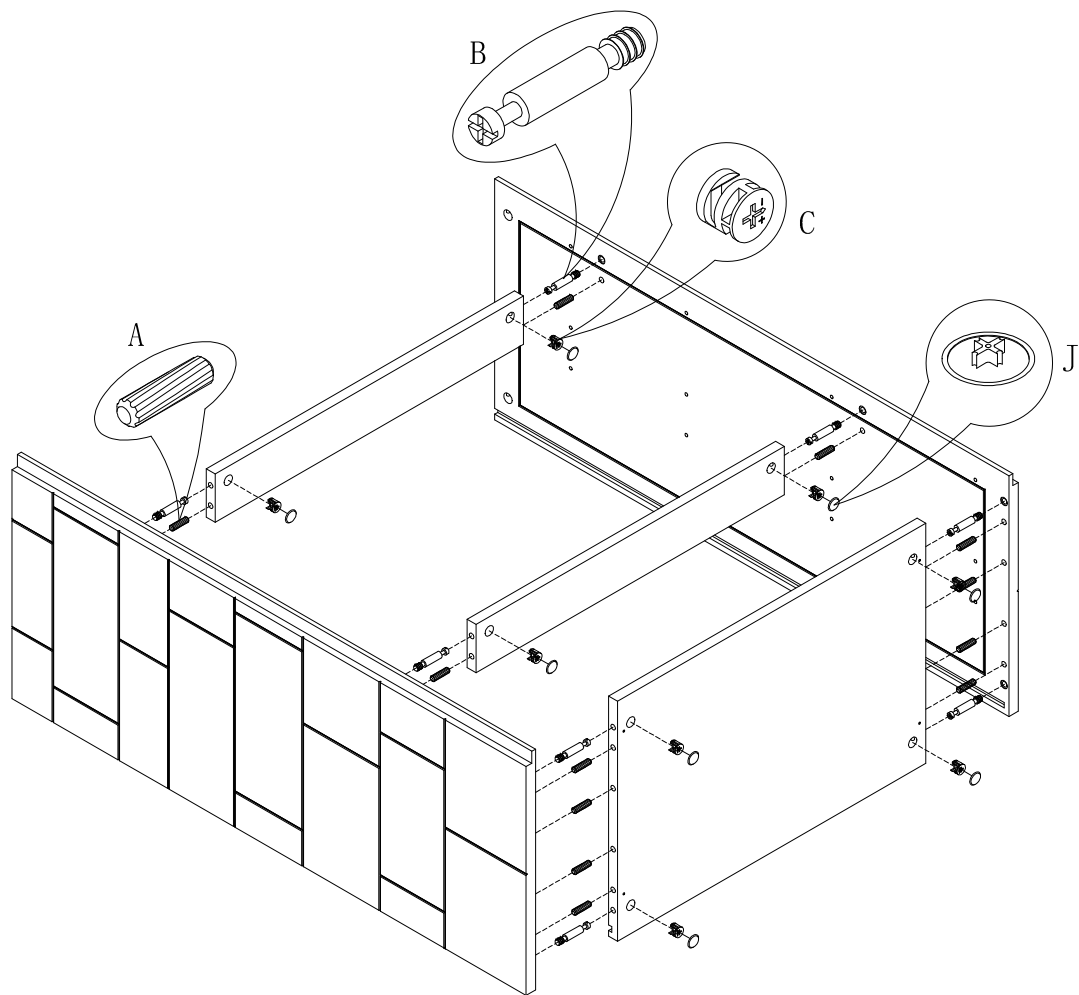
L x8
Spec: $3.8 \times L16$



M x6
Spec: 30×5

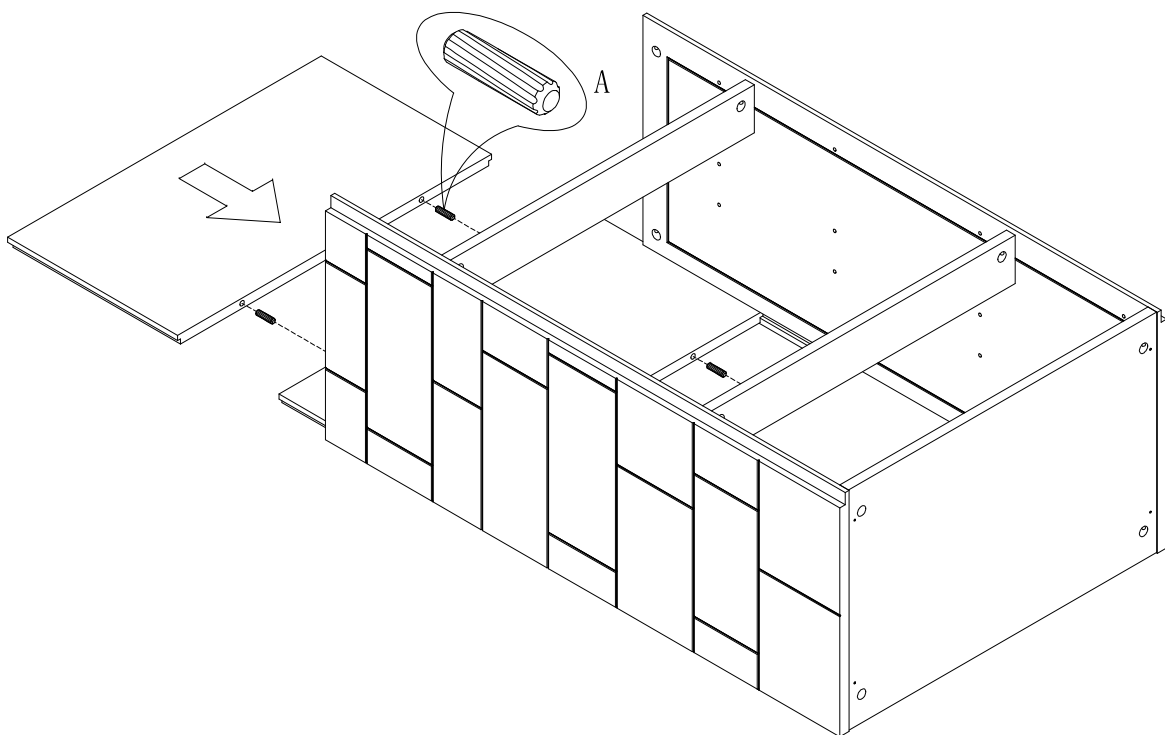


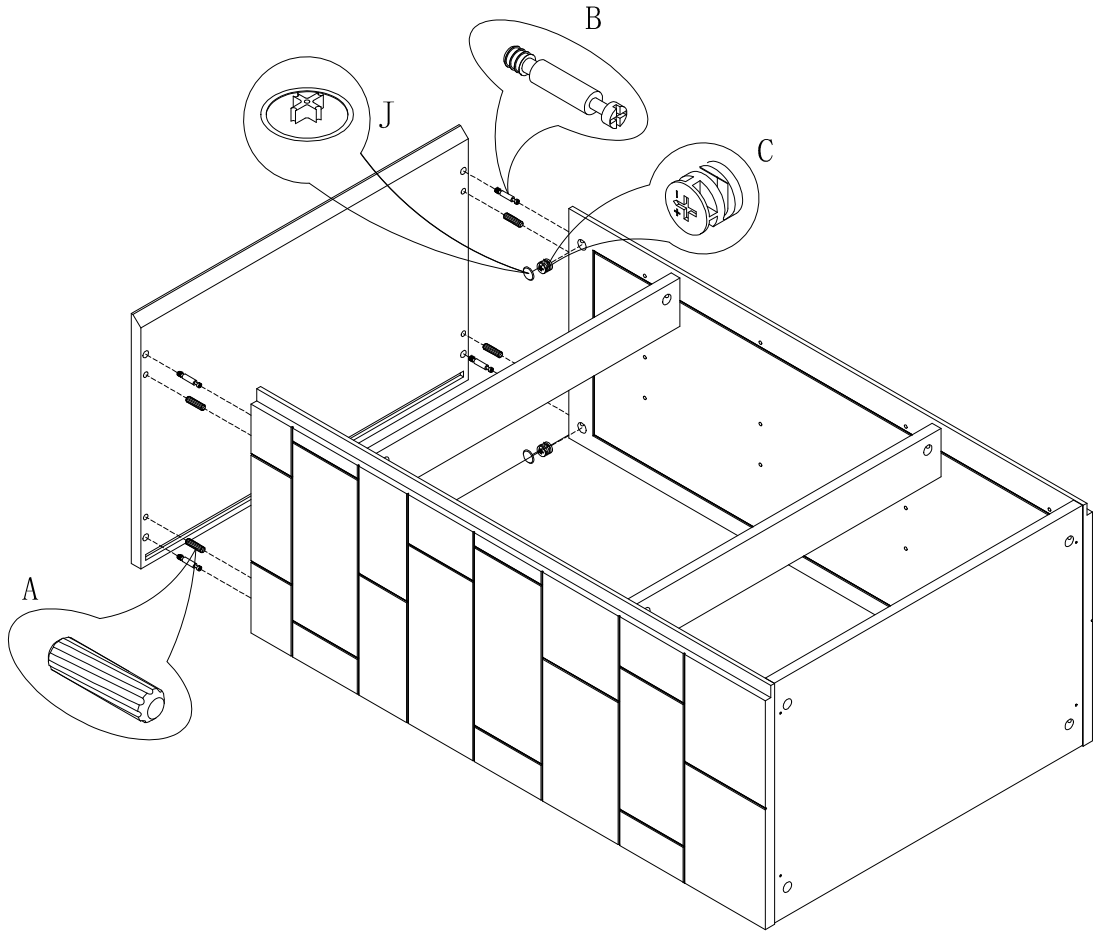
AAA x16
Spec: $\varnothing 3.8 \times L12$



1

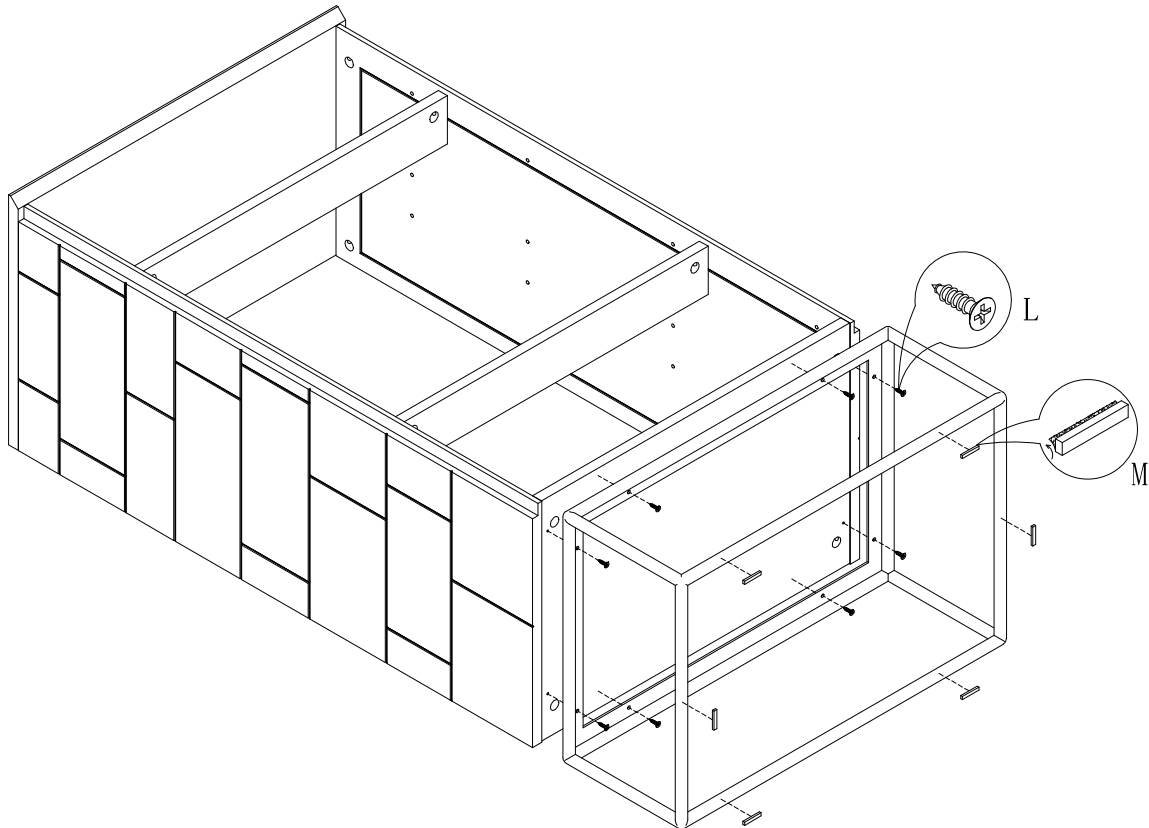
2

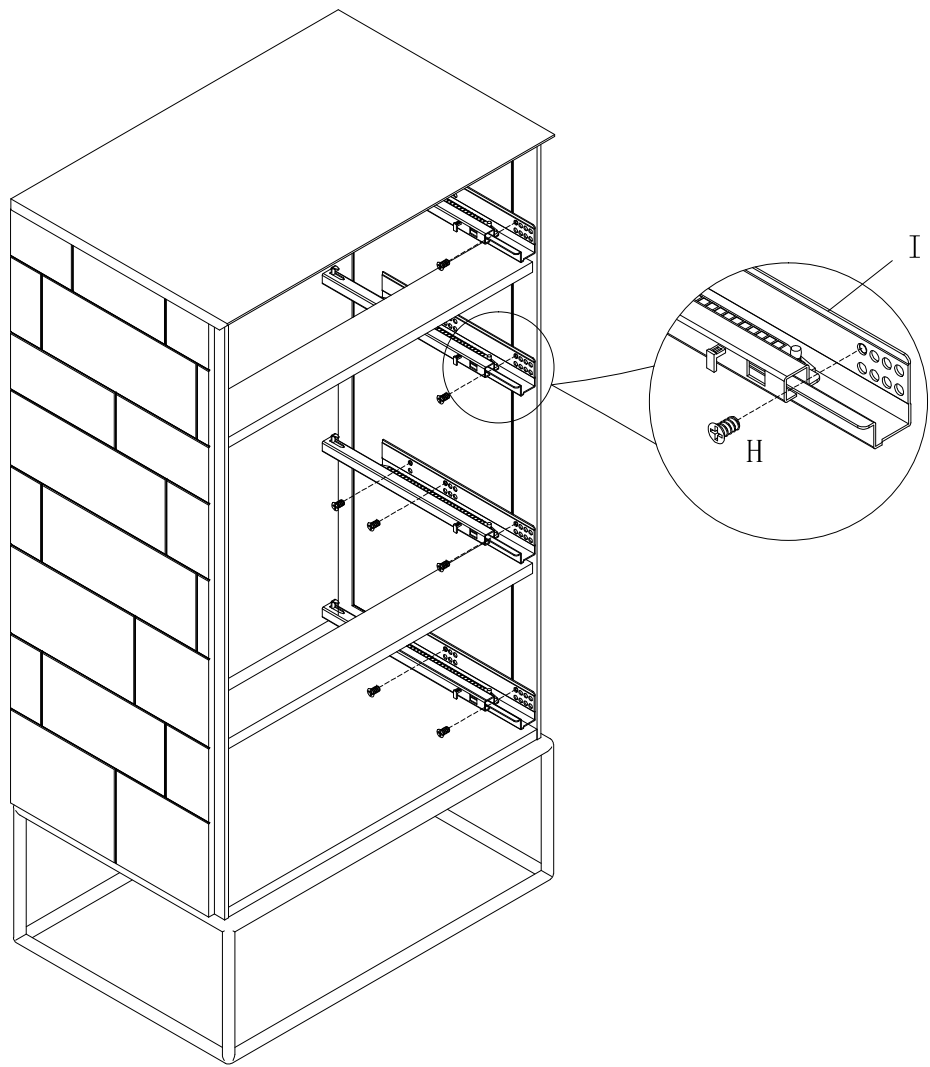




3

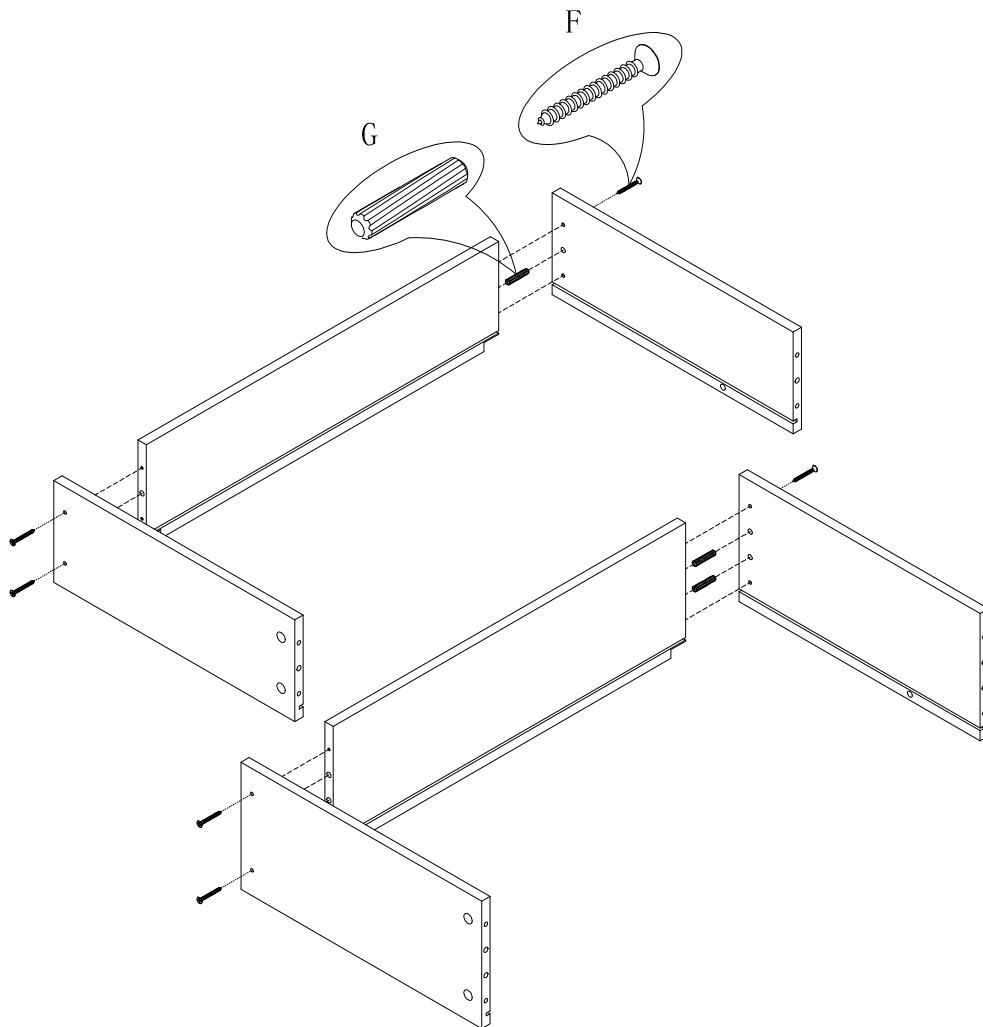
4

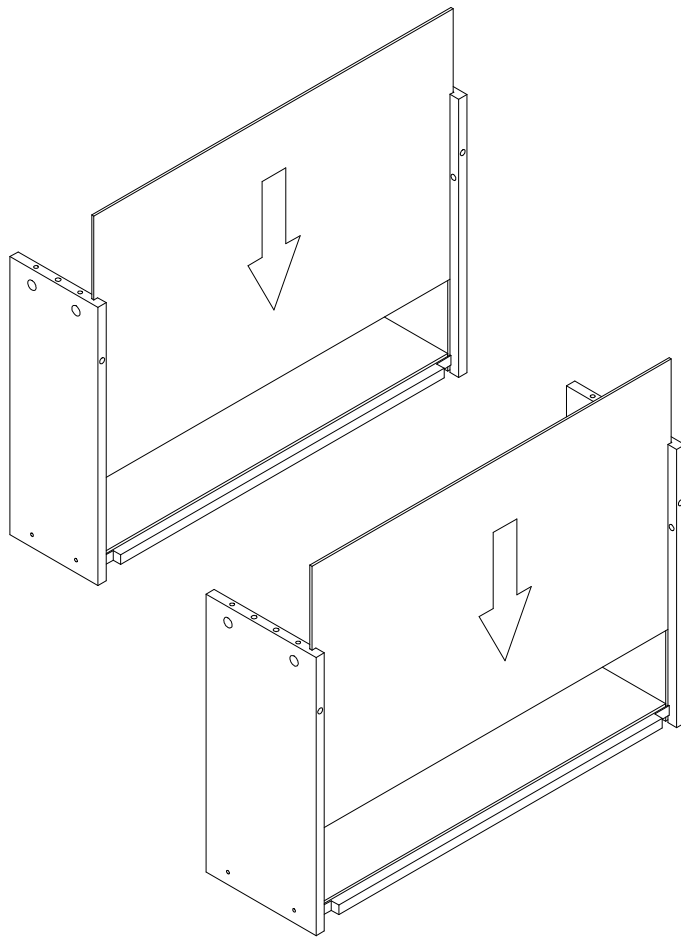




5

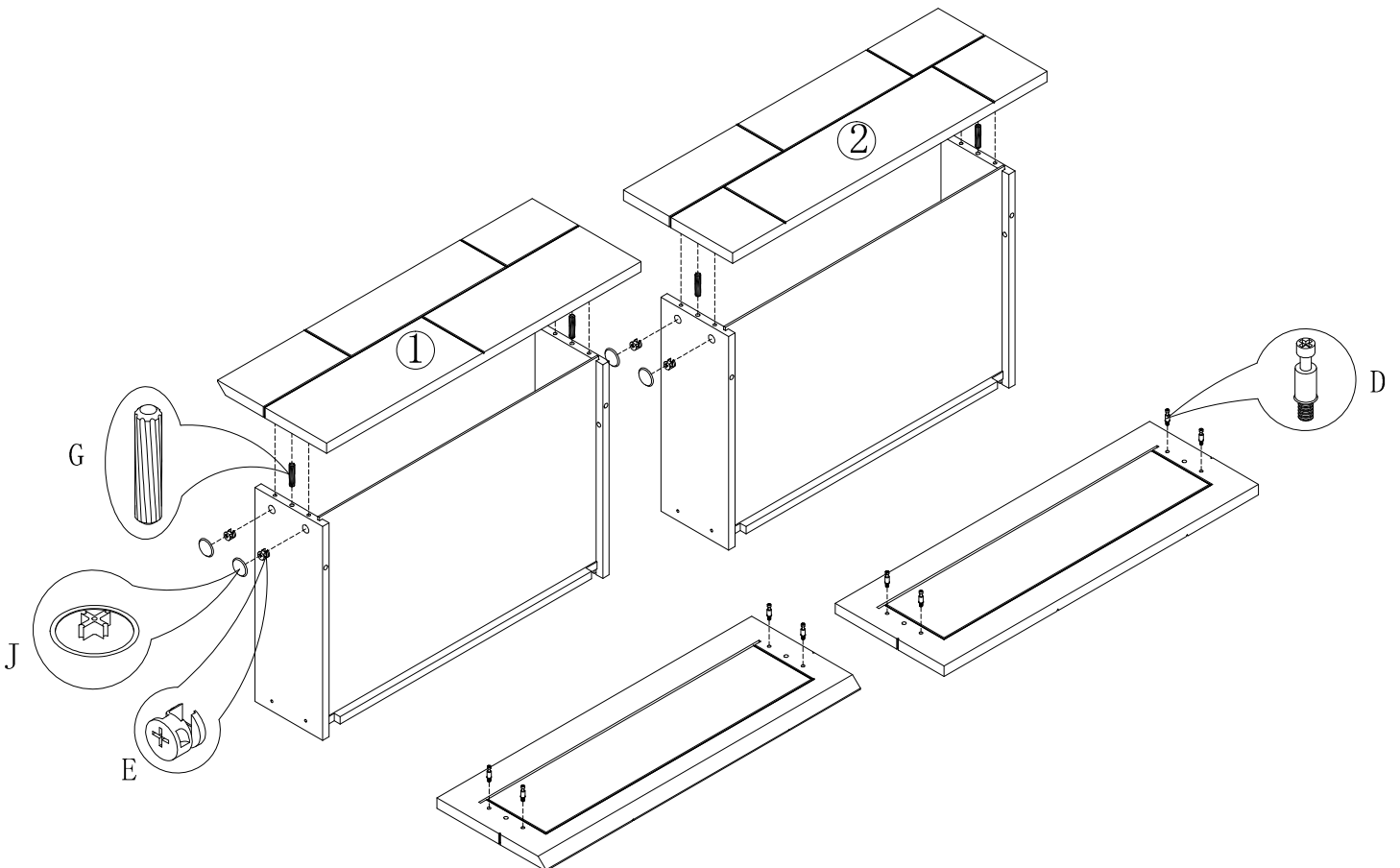
6

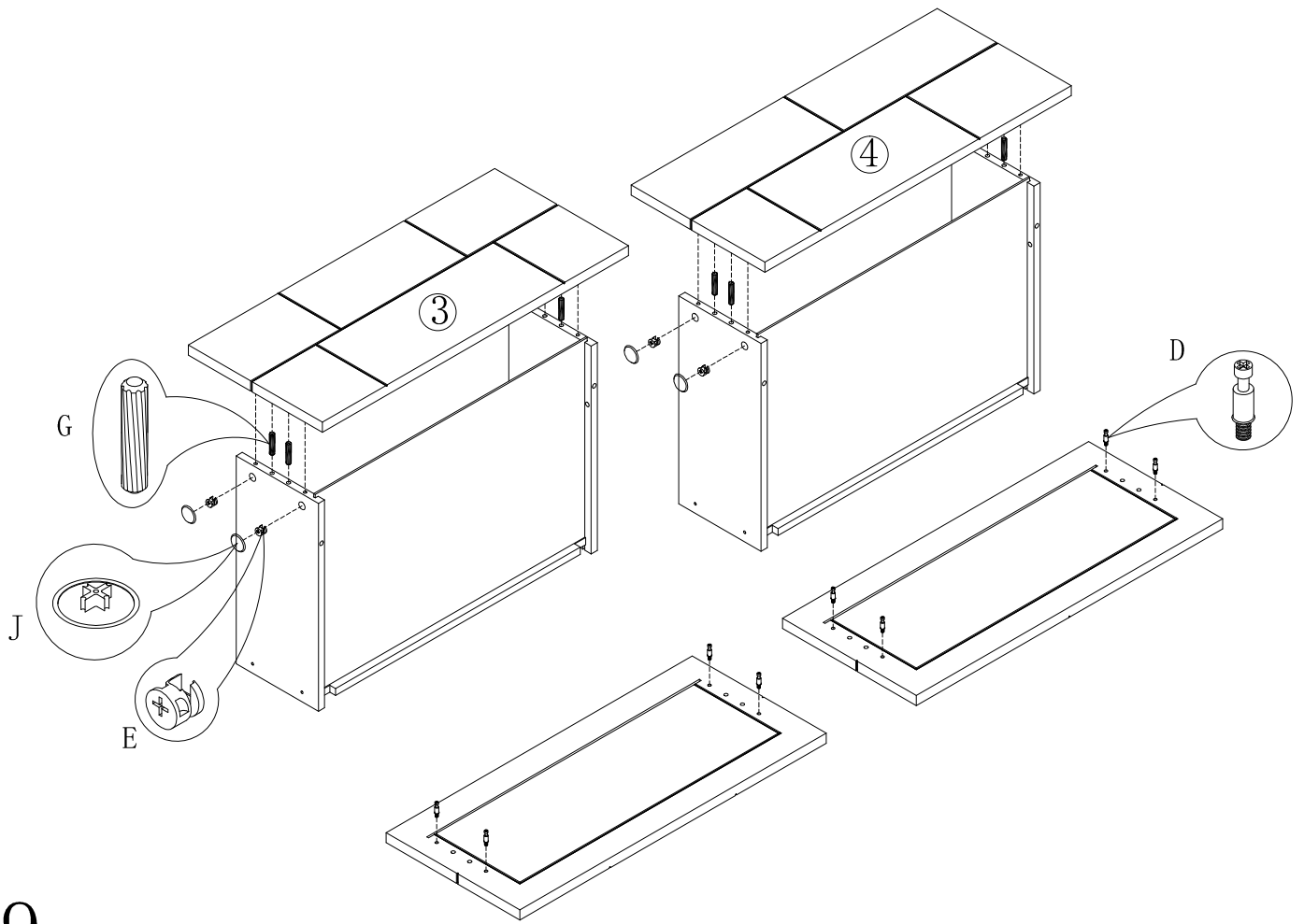




7

8





10

